

ROTARY HEAD 89 SERIES

Tanks and cisterns washing system

Construction:

The rotary spray heads are made of DELRIN and are mounted onto two bearings. All internal surfaces are carved with high precision machine tools, which provide a smooth polishing and high quality surfaces. The heads are available with with a female gas thread (BSP) joint.



Operation:

The fluid Flow Rateing through the rotary head produces the rotation. Its speed varies depending on the washing fluid pressure that needs to be limited. An excessive speed in the rotation breaks the Flow Rate into drops, reducing the impact strength.

Technical characteristics:

Max working temperature 90°C – Min working temperature 0°C

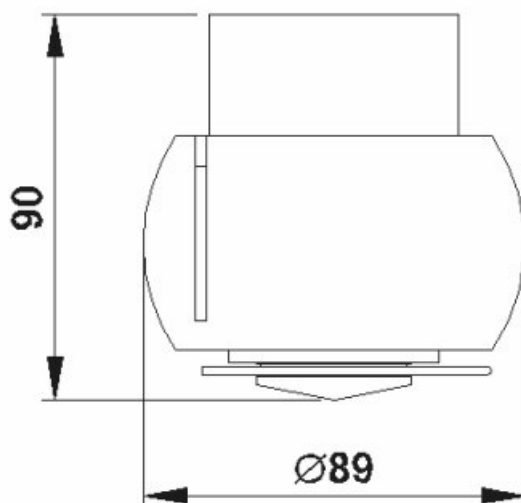
The weight of the rotary head series 89 is approximately 0.30 kg.

ROTARY HEAD 89 SERIES

Tanks and cisterns washing system



0000



Female

| SERIES 89 | | | | | | | |
|----------------|------------------|-------|-------|--------------------|------------------------------------|-------------|--|
| Pressure (Bar) | Flow Rate (lt/h) | | | Angle (Degrees) | Max washing range** (meters) | Joints | |
| | 1 | 2 | 3 | | | Fem. BSP | |
| Code | | | | | | | |
| 89 1-1/4 O | 10100 | 13800 | 16400 | 360° | 1,5 ÷ 4 | 1¼" | |