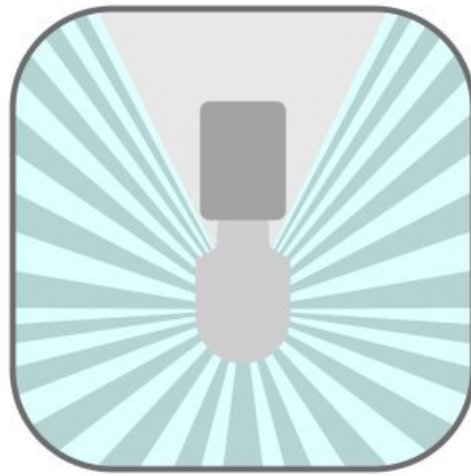


50 SERIES

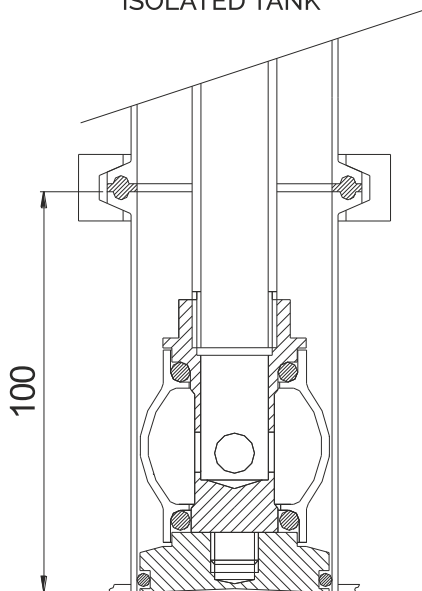
Dynamic washing system



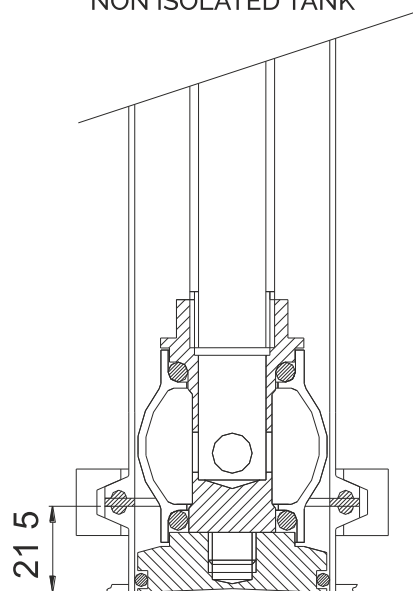
360°

ISOLATED TANK

NON ISOLATED TANK



100



215

INTERNAL SIDE



SERIES 50

Pressure (Bar)	Flow Rate (lt/h)			Angle (Degrees)	Max washing range** (meters)	Fluid Joint	Wall Joint
	1	2	3			Clamp DIN32676	Clamp DIN32676
Code							
50 DN25 O	6100	8000	10000	360°	2,2 ÷ 3,4	DN25	DN50
50 DN25B* O	6100	8000	10000	360°	2,2 ÷ 3,5	DN25	DN50

* washing system for isolated tanks