

## ROTARY HEAD 34 SERIES

Tanks and cisterns washing system

### Construction:

The rotary spray heads are made of AISI316L stainless steel and are mounted onto two bearings. All internal surfaces are carved with high precision machine tools, which provide a smooth polishing and high quality surfaces. The heads are available with different joint solutions: male or female gas thread (BSP).



### Operation:

The fluid Flow Rateing through the rotary head produces the rotation. Its speed varies depending on the washing fluid pressure that needs to be limited. An excessive speed in the rotation breaks the Flow Rate into drops, reducing the impact strength.

### Technical characteristics:

Max working temperature 95°C – Min working temperature 0°C

The weight of the rotary head series 34 can vary from 0.1 to 0.12 kg depending on the model.

# ROTARY HEAD 34 SERIES

Tanks and cisterns washing system

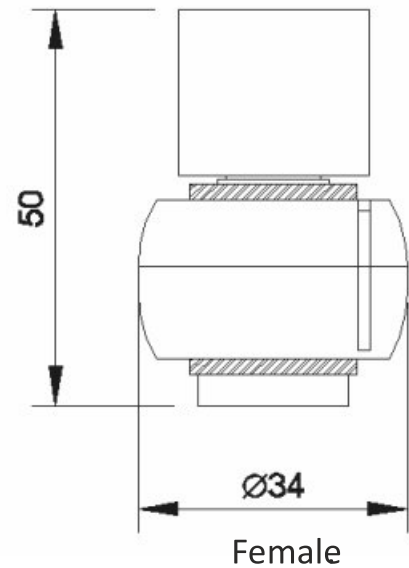
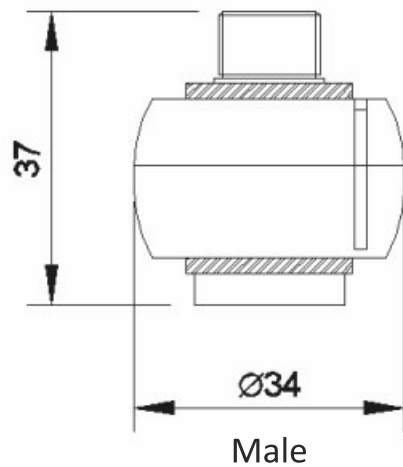


180° ▼



360°

● TEFLON



## SERIES 34

Pressure (Bar)	Flow Rate (lt/h)			Angle (Degrees)	Max washing range** (meters)	Joints	
	0,5	1	2			Fem. BSP	Male BSP
Code							
34 1/2 O	1550	2150	3000	360°	0,5 ÷ 1,5	1/2"	
34 1/4M O	1550	2150	3000	360°	0,5 ÷ 1,5		1/4"