

KULOVÉ VENTILY III.



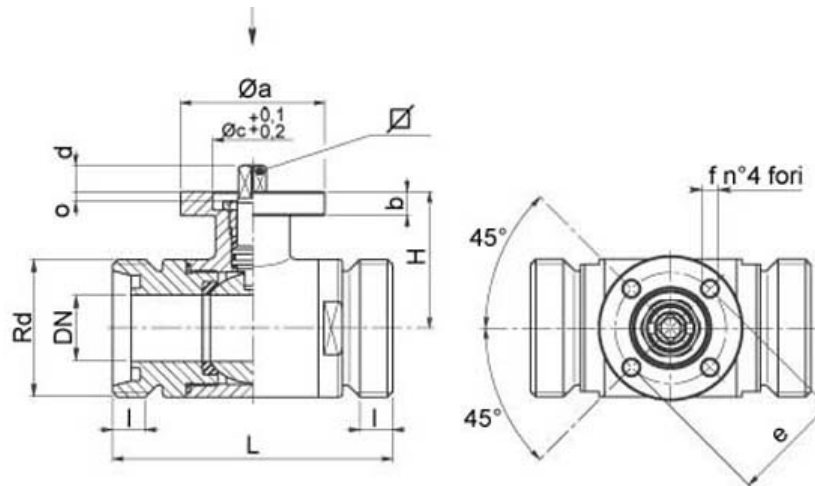
103025

Two-way ball valve
 Drive: ISO 5211 - DIN 3337 flange for actuator
 Connection: DIN 11851 female/female
 Flow: full
 Material: Aisi 304 - 316
 Measure: from DN 10 to DN 100
 Seals: virgin P.T.F.E.
 Operating temperature: -20°C +160°C
 Outer finish: polished
Screws for mounting actuator included

On request

Antistatic device ATEX (Directive 94/9/EC)

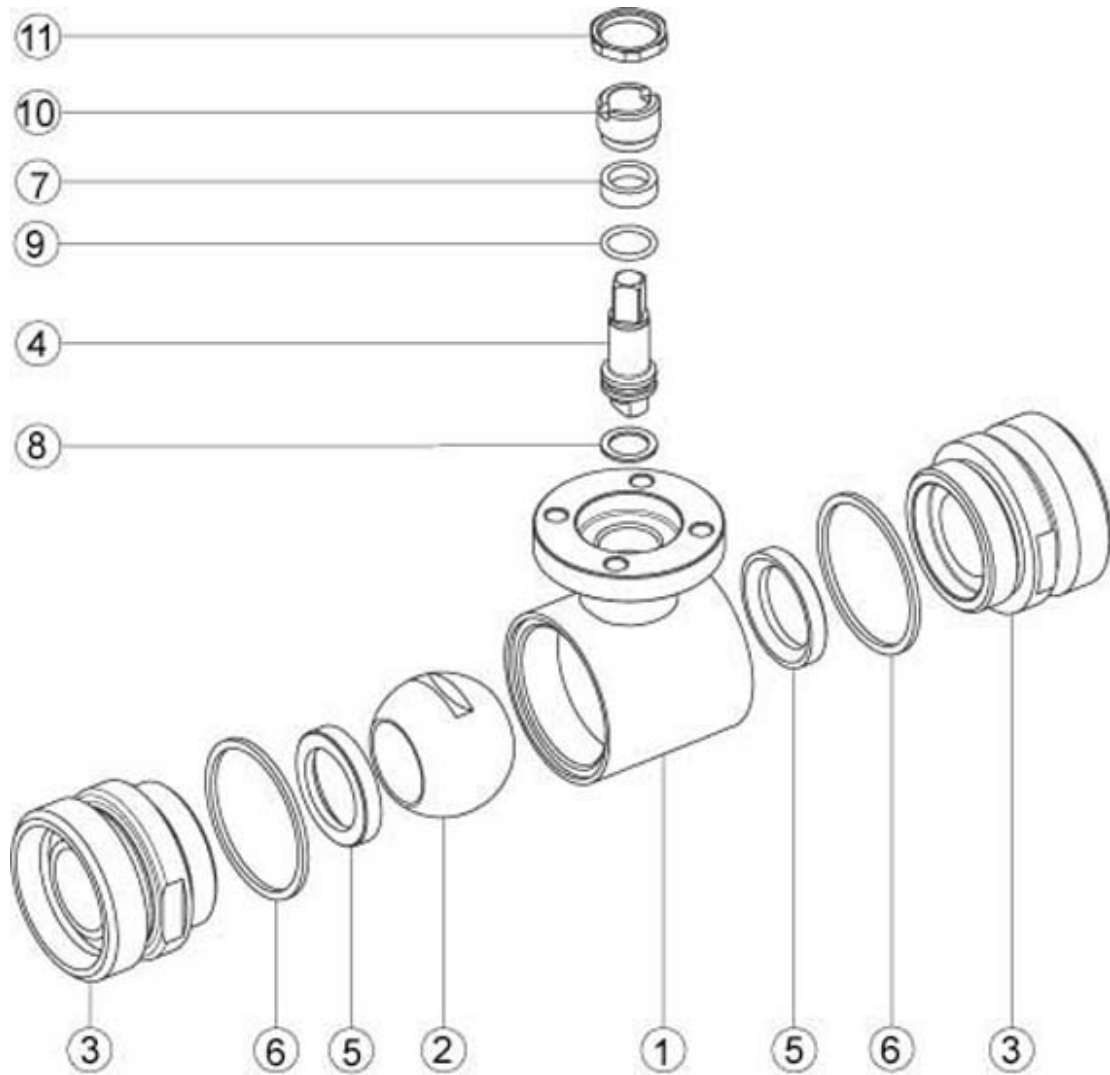
- SMS connection
- DIN male connection
- Seals made of:
 P.T.F.E. with glass
 P.T.F.E. with carbographite
 High-molecular weight polyethylene



DIN	DN	Rd	L	I	H	PN	KG	ISO-DIN	Ø a	B	Ø c x o	□	D	E	F	n°4 bolts	NM	CODE AISI 304L	CODE AISI 316L
10	10	28 x 1/8"	88	12	39	64	0,46	F.03	46	9	25x3	9	8	36	6	M5x16	5	103025 40810	103025 60810
10	10	28 x 1/8"	88	12	39	64	0,50	F.04	54	9	30x3	11	10	42	6	M5x16	5	103025 4081F	103025 6081F
15	15	34 x 1/8"	92	12	41,5	64	0,58	F.03	46	9	25x3	9	8	36	6	M5x16	8	103025 41410	103025 61410
15	15	34 x 1/8"	92	12	41,5	64	0,62	F.04	54	9	30x3	11	10	42	6	M5x16	8	103025 4141F	103025 6141F
20	20	44 x 1/6"	102	14	45	64	0,83	F.03	46	9	25x3	9	8	36	6	M5x16	12	103025 42010	103025 62010
20	20	44 x 1/6"	102	14	45	64	0,87	F.04	54	9	30x3	11	10	42	6	M5x16	12	103025 4201F	103025 6201F
25	25	52 x 1/6"	106	14	51,5	40	1,25	F.04	54	9	30x3	11	10	42	6	M5x16	15	103025 42610	103025 62610
25	25	52 x 1/6"	106	14	51,5	40	1,30	F.05	65	9	35x3	14	13	50	7	M6x16	15	103025 4261F	103025 6261F
32	32	58 x 1/6"	112	14	56,5	40	1,51	F.04	54	9	30x3	11	10	42	6	M5x16	18	103025 43010	103025 63010
32	32	58 x 1/6"	112	14	56,5	40	1,58	F.05	65	9	35x3	14	13	50	7	M6x16	18	103025 4301F	103025 6301F
40	40	65 x 1/6"	126	14	76	40	2,55	F.05	65	12	35x4	14	13	50	7	M6x20	25	103025 43410	103025 63410
40	40	65 x 1/6"	126	14	76	40	2,70	F.07	90	12	55x4	17	15	70	9	M8x20	25	103025 4341F	103025 6341F
50	50	78 x 1/6"	136	14	84	25	3,69	F.05	65	12	35x4	14	13	50	7	M6x20	30	103025 43810	103025 63810
50	50	78 x 1/6"	136	14	84	25	3,85	F.07	90	12	55x4	17	15	70	9	M8x20	30	103025 4381F	103025 6381F
65	65	95 x 1/6"	154	16	94,5	25	6,22	F.07	90	12	55x4	17	15	70	9	M8x20	45	103025 44410	103025 64410
65	65	95 x 1/6"	154	16	94,5	25	6,72	F.10	125	12	70x4	22	18	102	11	M10x25	45	103025 4441F	103025 6441F
80	80	110 x 1/4"	184	20	106	25	9,23	F.07	90	12	55x4	17	15	70	9	M8x20	70	103025 44810	103025 64810
80	80	110 x 1/4"	184	20	106	25	9,73	F.10	125	12	70x4	22	18	102	11	M10x25	70	103025 4481F	103025 6481F
100	100	130 x 1/4"	190	20	120	25	13,80	F.07	90	12	55x4	17	15	70	9	M8x20	80	103025 45410	103025 65410
100	100	130 x 1/4"	190	20	120	25	14,34	F.10	125	12	70x4	22	18	102	11	M10x25	80	103025 4541F	103025 6541F
125	Reduced 100	130 x 1/4"	190	20	120	25	-	F.07	90	12	55x4	17	15	70	9	M8x20	80	103025 45510	103025 65510
125	Reduced 100	130 x 1/4"	190	20	120	25	-	F.10	125	12	70x4	22	18	102	11	M10x25	80	103025 4551F	103025 6551F

* Maximum break-out torque in Nm

KULOVÉ VENTILY III.



POS.	DENOMINATION	PCS	MAT.
1	Body	1	AISI 304L - 316L
2	Ball	1	AISI 304L - 316L
3	Sleeves	2	AISI 304L - 316L
4	Stem	1	AISI 304L - 316L
5	Ball seals	2	PTFE
6	Sleeve seals	2	PTFE
7	Stem seal	1	PTFE
8	Stem seal	1	PTFE
9	Stem OR-seal	1	FKM
10	Register ring	1	AISI 304L (303)
11	Locknut	1	AISI 303

