

KULOVÉ VENTILY III.



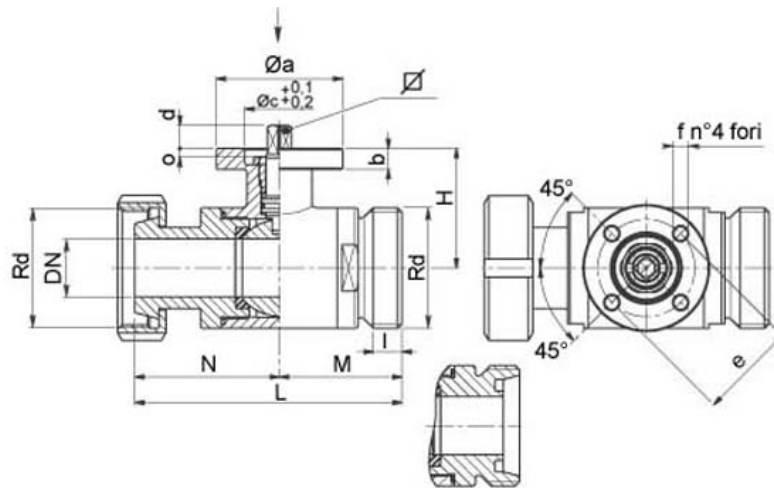
103026

Two-way ball valve
 Drive: ISO 5211 - DIN 3337 flange for actuator
 Connection: DIN 11851 female/male
 Flow: full
 Material: Aisi 304 - 316
 Measure: from DN 10 to DN 100
 Seals: virgin P.T.F.E.
 Operating temperature: -20°C +160°C
 Outer finish: polished
Screws for mounting actuator included

On request

Antistatic device ATEX (Directive 94/9/EC)

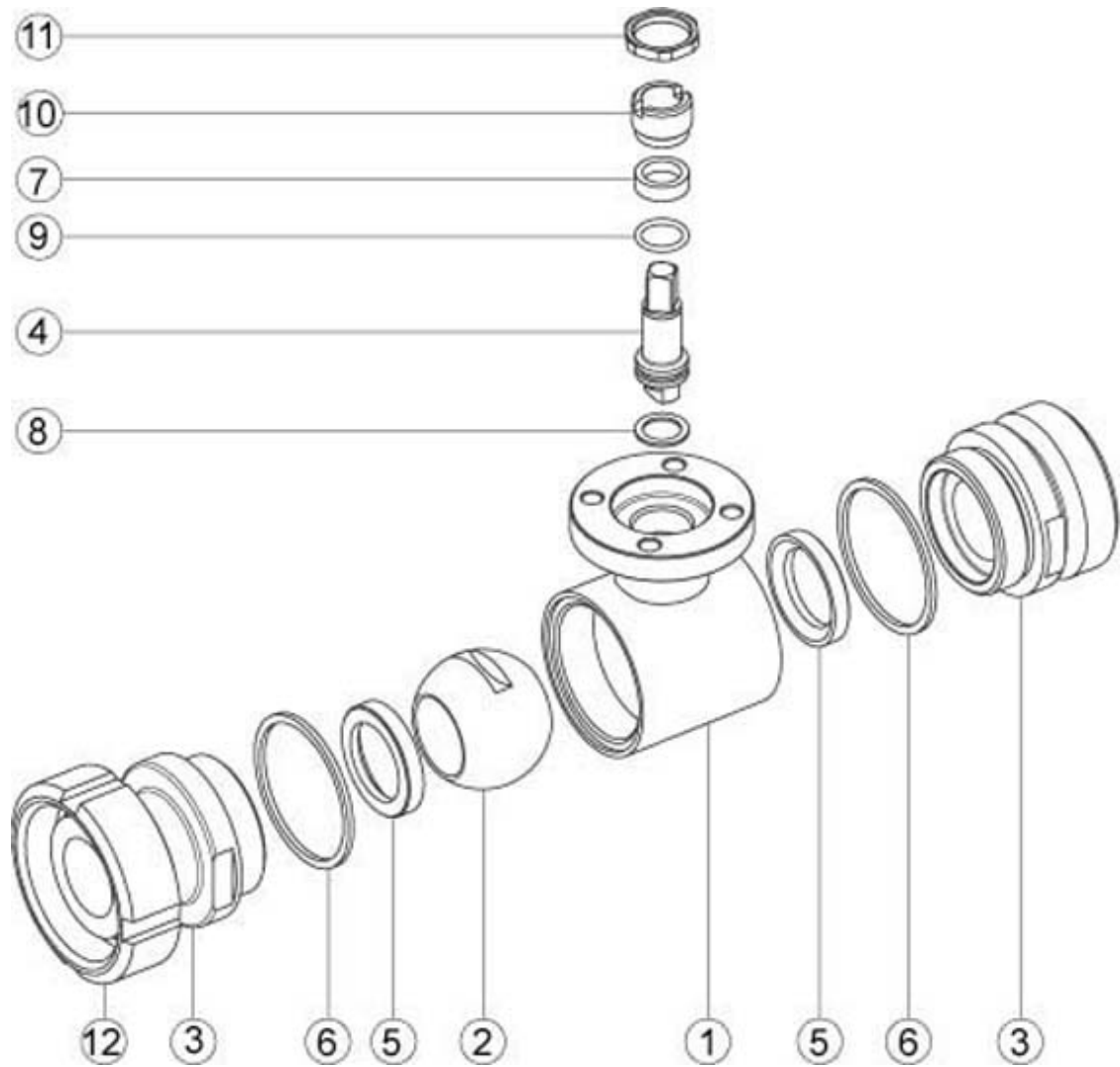
- SMS connection
- DIN male/male connection
- Seals made of:
 P.T.F.E. with glass
 P.T.F.E. with carbographite
 High-molecular weight polyethylene



DN	Rd	L	M	N	I	H	PN	KG	ISO-DIN	Ø a	B	Ø c x o		D	E	F	n°4 bolts	NM	AISI 304	CODE AISI 316L
10	28 x 1/8"	94	44	50	12	39	64	0,51	F.03	46	9	25x3	9	8	36	6	M5x16	5		103026 60810
10	28 x 1/8"	94	44	50	12	39	64	0,56	F.04	54	9	30x3	11	10	42	6	M5x16	5		103026 6081F
15	34 x 1/8"	98	46	52	12	41,5	64	0,66	F.03	46	9	25x3	9	8	36	6	M5x16	8		103026 61410
15	34 x 1/8"	98	46	52	12	41,5	64	0,70	F.04	54	9	30x3	11	10	42	6	M5x16	8		103026 6141F
20	44 x 1/6"	110	51	59	14	45	64	0,94	F.03	46	9	25x3	9	8	36	6	M5x16	12		103026 62010
20	44 x 1/6"	110	51	59	14	45	64	0,98	F.04	54	9	30x3	11	10	42	6	M5x16	12		103026 6201F
25	52 x 1/6"	115	53	62	14	51,5	40	1,40	F.04	54	9	30x3	11	10	42	6	M5x16	15	103026 42610	103026 62610
25	52 x 1/6"	115	53	62	14	51,5	40	1,45	F.05	65	9	35x3	14	13	50	7	M6x16	15	103026 4261F	103026 6261F
32	58 x 1/6"	121	56	65	14	56,5	40	1,73	F.04	54	9	30x3	11	10	42	6	M5x16	18	103026 43010	103026 63010
32	58 x 1/6"	121	56	65	14	56,5	40	1,80	F.05	65	9	35x3	14	13	50	7	M6x16	18	103026 4301F	103026 6301F
40	65 x 1/6"	135	63	72	14	76	40	2,76	F.05	65	12	35x4	14	13	50	7	M6x20	25	103026 43410	103026 63410
40	65 x 1/6"	135	63	72	14	76	40	2,93	F.07	90	12	55x4	17	15	70	9	M8x20	25	103026 4341F	103026 6341F
50	78 x 1/6"	146	68	78	14	84	25	4,03	F.05	65	12	35x4	14	13	50	7	M6x20	30	103026 43810	103026 63810
50	78 x 1/6"	146	68	78	14	84	25	4,26	F.07	90	12	55x4	17	15	70	9	M8x20	30	103026 4381F	103026 6381F
65	95 x 1/6"	163	77	86	16	94,5	25	6,85	F.07	90	12	55x4	17	15	70	9	M8x20	45	103026 44410	103026 64410
65	95 x 1/6"	163	77	86	16	94,5	25	7,25	F.10	125	12	70x4	22	18	102	11	M10x25	45	103026 4441F	103026 6441F
80	110 x 1/4"	189	92	97	20	106	25	9,95	F.07	90	12	55x4	17	15	70	9	M8x20	70	103026 44810	103026 64810
80	110 x 1/4"	189	92	97	20	106	25	10,44	F.10	125	12	70x4	22	18	102	11	M10x25	70	103026 4481F	103026 6481F
100	130 x 1/4"	198	95	103	20	120	25	14,00	F.07	90	12	55x4	17	15	70	9	M8x20	80	103026 45410	103026 65410
100	130 x 1/4"	198	95	103	20	120	25	14,51	F.10	125	12	70x4	22	18	102	11	M10x25	80	103026 4541F	103026 6541F

* Maximum break-out torque in Nm

KULOVÉ VENTILY III.



POS.	DENOMINATION	PCS	MAT.
1	Body	1	AISI 304L - 316L
2	Ball	1	AISI 304L - 316L
3	Sleeves	2	AISI 304L - 316L
4	Stem	1	AISI 304L - 316L
5	Ball seals	2	PTFE
6	Sleeve seals	2	PTFE
7	Stem seal	1	PTFE
8	Stem seal	1	PTFE
9	Stem OR-seal	1	FKM
10	Register ring	1	AISI 304L (303)
11	Locknut	1	AISI 303
12	Stop ring	1	AISI 304L

