

KULOVÉ VENTILY III.



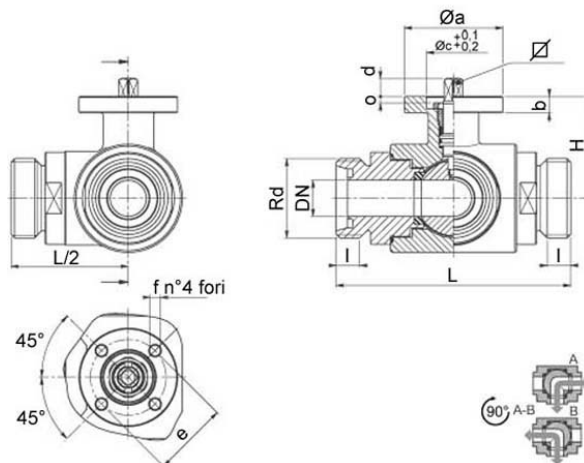
313025

THREE-way ball valve 4 seals with "L" port
 Drive: ISO 5211 - DIN 3337 flange for actuator
 Connection: DIN 11851 female/female/female
 Flow: full
 Material: Aisi 304L - 316L
 Measure: from DN 10 to DN 100
 Seals: virgin P.T.F.E.
 Operating temperature: -20°C +160°C
 Outer finish: polished

On request

Antistatic device ATEX (Directive 94/9/EC)

- SMS connection
- DIN male connection
- Seals made of:
 - P.T.F.E. with glass
 - P.T.F.E. with carbographite
 - High-molecular weight polyethylene

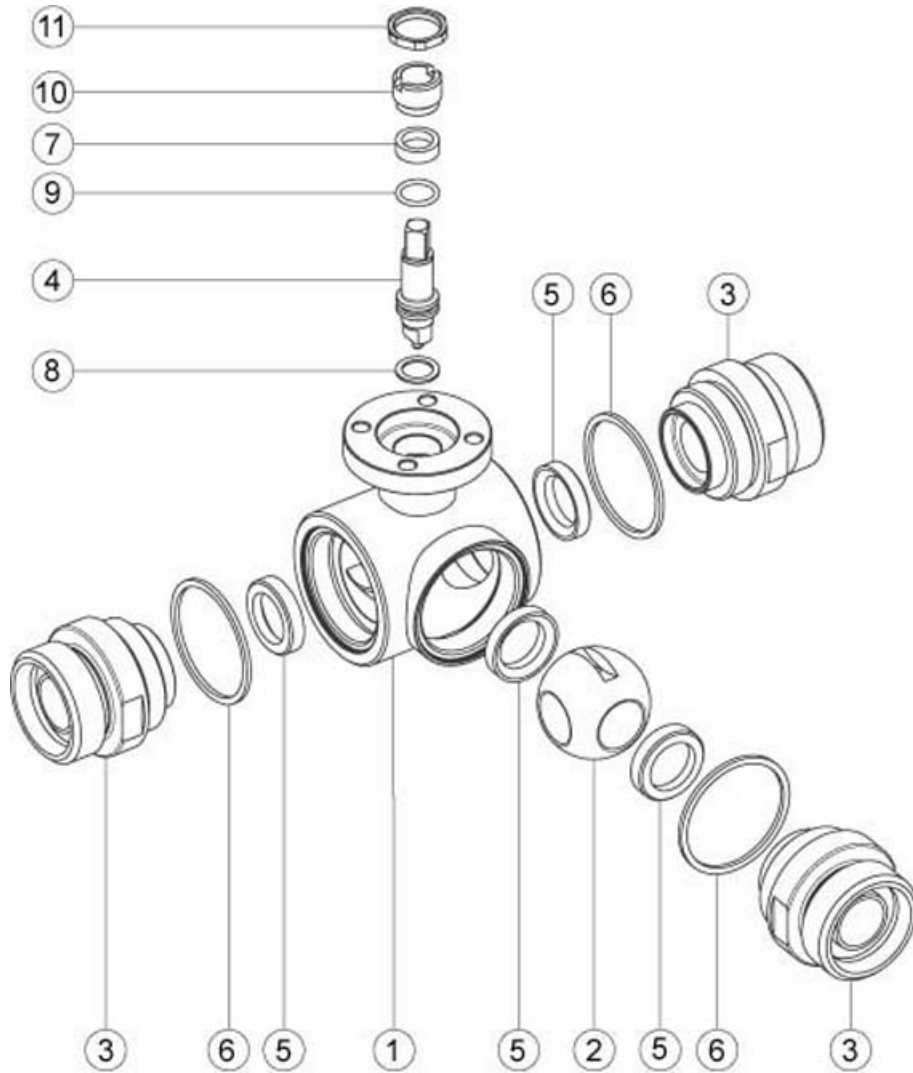


DIN	DN	Rd	L	I	H	PN	KG	ISO-DIN	Ø a	B	Ø CxO	∏	D	E	F	N4 VITI	NM	CODE AISI 304L	CODE AISI 316L
10	10	28 x 1/8"	108	12	46,5	40	1,11	F.03	46	9	25x3	9	8	36	6	M5x16	10		313025 60810
10	10	28 x 1/8"	108	12	46,5	40	1,16	F.04	54	9	30x3	11	10	42	6	M5x16	10		313025 6081F
15	15	34 x 1/8"	118	12	49	40	1,47	F.03	46	9	25x3	9	8	36	6	M5x16	12		313025 61410
15	15	34 x 1/8"	118	12	49	40	1,52	F.04	54	9	30x3	11	10	42	6	M5x16	12		313015 6141F
20	20	44 x 1/6"	130	14	56,5	40	2,34	F.04	54	9	30x3	11	10	42	6	M5x16	23		313025 62010
20	20	44 x 1/6"	130	14	56,5	40	2,49	F.05	65	9	35x3	14	13	50	7	M6x16	23		313025 6201F
25	25	52 x 1/6"	140	14	61	40	3,06	F.04	54	9	30x3	11	10	42	6	M5x16	25	313025 42610	313025 62610
25	25	52 x 1/6"	140	14	61	40	3,19	F.05	65	9	35x3	14	13	50	7	M6x16	25	313025 4261F	313025 6261F
32	32	58 x 1/6"	156	14	81,5	40	5,12	F.05	65	9	35x4	14	13	50	7	M6x20	33	313025 43010	313025 63010
32	32	58 x 1/6"	156	14	81,5	40	5,29	F.07	90	12	55x4	17	15	70	9	M8x20	33	313025 4301F	313025 6301F
40	40	65 x 1/6"	172	14	89	40	7,55	F.05	65	12	35x4	14	13	50	7	M6x20	40	313025 43410	313025 63410
40	40	65 x 1/6"	172	14	89	40	7,72	F.07	90	12	55x4	17	15	70	9	M8x20	40	313025 4341F	313025 6341F
50	50	78 x 1/6"	182	14	91,5	25	9,26	F.07	90	12	55x4	17	15	70	9	M8x20	50	313025 43810	313025 63810
50	50	78 x 1/6"	182	14	91,5	25	9,43	F.10	125	12	70x4	22	18	102	11	M10x25	50	313025 4381F	313025 6381F
65 **	65 **	95 x 1/6"	196	16	101,5	25	11,24	F.07	90	12	55x4	17	15	70	9	M8x20	60	313025 44410	313025 64410
65 **	65 **	95 x 1/6"	196	16	101,5	25	11,74	F.10	125	12	70x4	22	18	102	11	M10x25	60	313025 4441F	313025 6441F
80 **	80 **	110 x 1/4"	256	20	116	16	21,80	F.07	90	12	55x4	17	15	70	9	M8x20	110	313025 44810	313025 64810
80 **	80 **	110 x 1/4"	256	20	116	16	23,30	F.10	125	12	70x4	22	18	102	11	M10x25	110	313025 4481F	313025 6481F
100 **	100 **	130 x 1/4"	286	20	131	16	35,90	F.07	90	12	55x4	17	15	70	9	M8x20	130	313025 45410	313025 65410
100 **	100 **	130 x 1/4"	286	20	131	16	36,40	F.10	125	12	70x4	22	18	102	11	M10x25	130	313025 4541F	33025 6541F
125 **	(Reduced) 100	160 x 1/4"	286	25	131	16	-	F.07	90	12	55x4	17	15	70	9	M8x20	130	313025 45510	313025 65510
125 **	(Reduced) 100	160 x 1/4"	286	25	131	16	-	F.10	125	12	70x4	22	18	102	11	M10x25	130	313025 4551F	313025 6551F

* Maximum break-out torque in Nm

** Four way

KULOVÉ VENTILY III.



POS.	DENOMINATION	PCS	MAT.
1	Body	1	AISI 304L - 316L
2	Ball	1	AISI 304L - 316L
3	Sleeves	3	AISI 304L - 316L
4	Stem	1	AISI 304L - 316L
5	Ball seals	4	PTFE
6	Sleeve seals	3	PTFE
7	Stem seal	1	PTFE
8	Stem seal	1	PTFE
9	Stem OR-seal	1	FKM
10	Register ring	1	AISI 304L (303)
11	Locknut	1	AISI 303

