

# KULOVÉ VENTILY III.



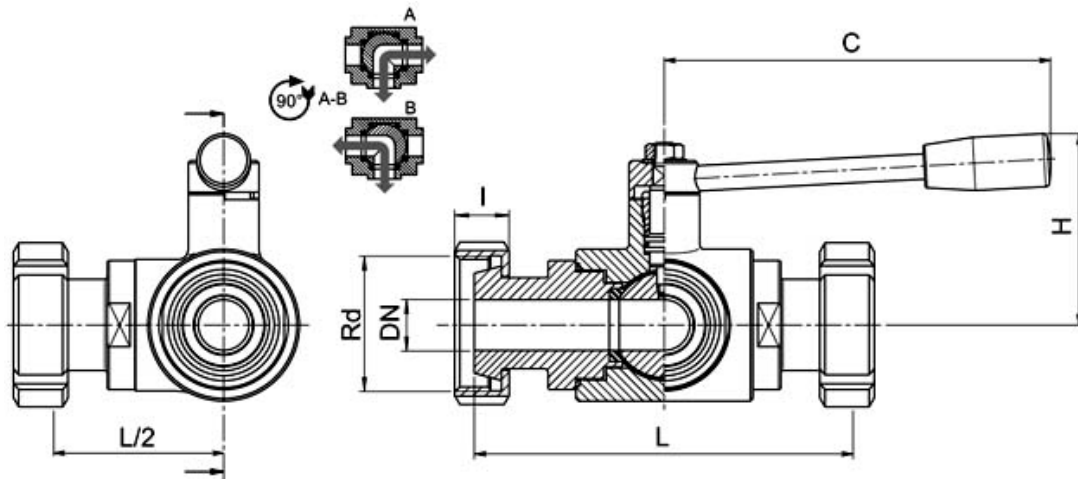
## 310127

THREE-way ball valve 4 seals with "L" port  
 Drive: Inox lever  
 Connection: DIN 11851 male/male/male  
 Flow: full  
 Material: Aisi 304 - 316  
 Measure: from DN 10 to DN 100  
 Seals: virgin P.T.F.E.  
 Operating temperature: -20°C +160°C  
 Outer finish: polished

### On request

Antistatic device ATEX (Directive 94/9/EC)

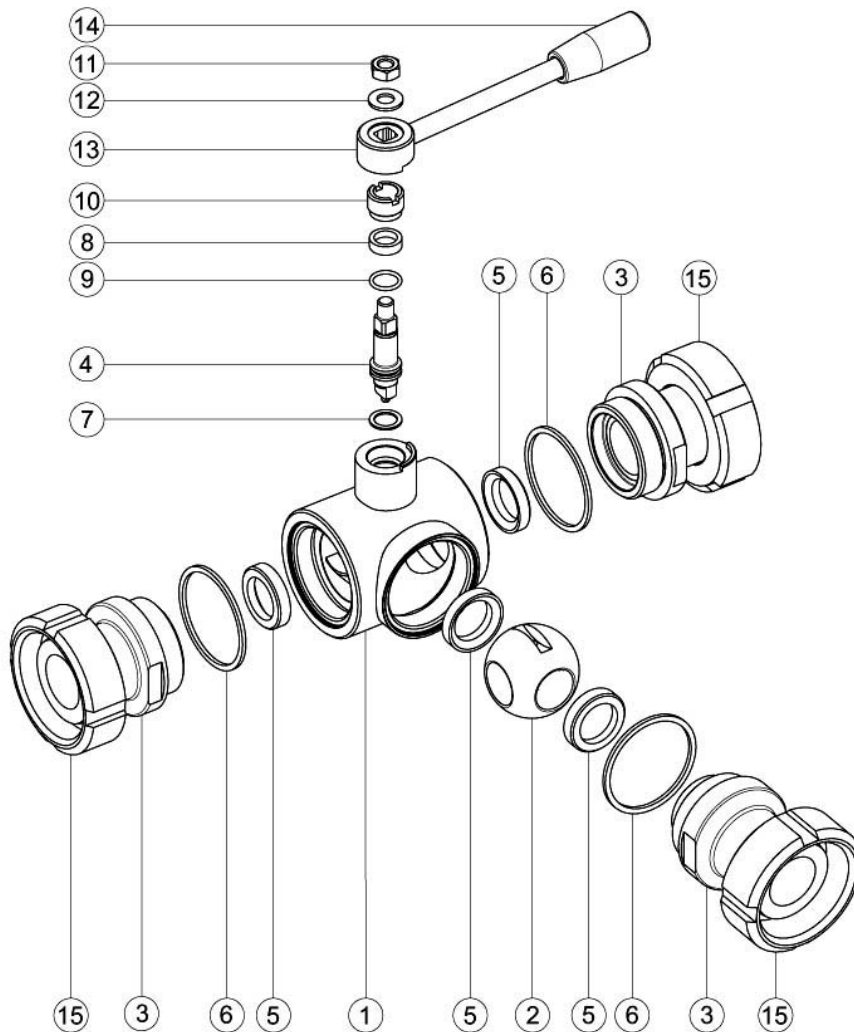
- SMS connection
- DIN female connection
- Seals made of:
  - P.T.F.E. with glass
  - P.T.F.E. with carbographe
  - High-molecular weight polyethylene



DN	Rd	L	I	C	H	PN	KG	CODE AISI 304L	CODE AISI 316L
10	28 x 1/8"	116	18	110	60	40	-		310127 60810
15	34 x 1/8"	126	18	110	65	40	-		310127 61410
20	44 x 1/6"	144	21	160	70	40	-		310127 62010
25	52 x 1/6"	158	21	160	80	40	-	310127 42610	310127 62610
32	58 x 1/6"	174	21	190	95	40	-	310127 43010	310127 63010
40	65 x 1/6"	190	21	190	110	40	-	310127 43410	310127 63410
50	78 x 1/6"	202	22	220	120	25	-	310127 43810	310127 63810
65 *	95 x 1/6"	214	25	285	130	25	-	310127 44410	310127 64410
80 *	110 x 1/4"	266	30	310	145	16	-	310127 44810	310127 64810
100 *	130 x 1/4"	302	31	310	160	16	-	310127 45410	310127 65410

\* Four way

# KULOVÉ VENTILY III.



POS.	DENOMINATION	PCS	MAT.
1	Body	1	AISI 304L - 316L
2	Ball	1	AISI 304L - 316L
3	Sleeves	3	AISI 304L - 316L
4	Stem	1	AISI 304L - 316L
5	Ball seals	4	PTFE
6	Sleeve seals	3	PTFE
7	Stem seal	1	PTFE
8	Stem seal	1	PTFE
9	Stem OR-seal	1	FKM
10	Register ring	1	AISI 304L (303)
11	Nut	1	AISI 304L
12	Washer	1	AISI 304L
13	Lever	1	AISI 304L
14	Handle	1	Resina
15	Stop ring	3	AISI 304L

