

KULOVÉ VENTILY III.



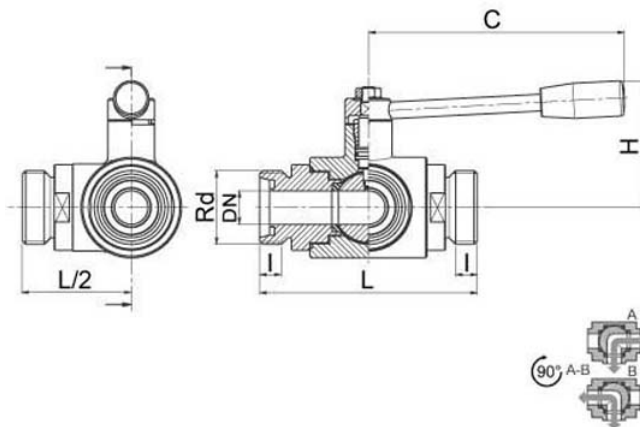
310125

THREE-way ball valve 4 seals with "L" port
 Drive: Inox lever
 Connection: DIN 11851 female/female/female
 Flow: full
 Material: Aisi 304L - 316L
 Measure: from DN 10 to DN 100
 Seals: virgin P.T.F.E.
 Operating temperature: -20°C +160°C
 Outer finish: polished

On request

Antistatic device ATEX (Directive 94/9/EC)

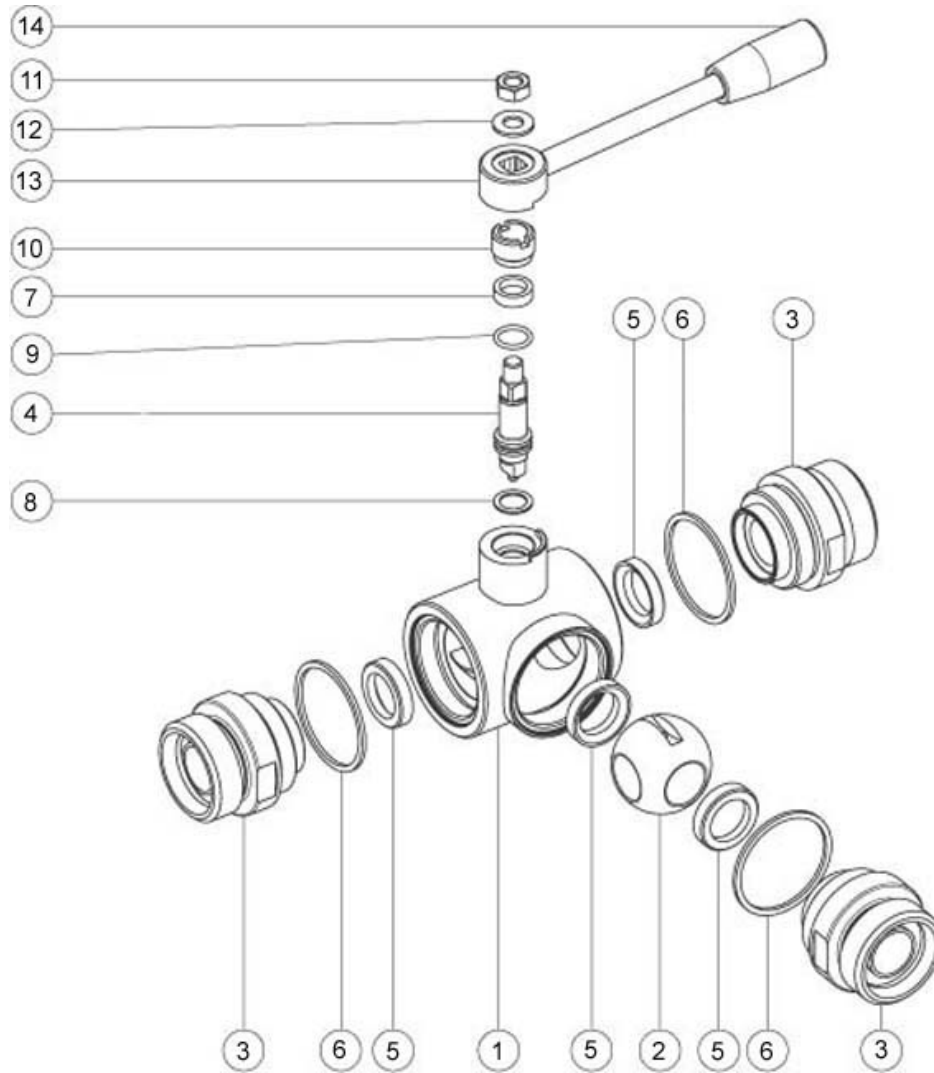
- SMS connection
- DIN male connection
- Seals made of:
 - P.T.F.E. with glass
 - P.T.F.E. with carbographe
 - High-molecular weight polyethylene



DIN	DN	Rd	L	I	C	H	PN	Kg	CODE AISI 304L	CODE AISI 316L
10	10	28 x 1/8"	108	12	110	60	40	1,10		310125 60810
15	15	34 x 1/8"	118	12	110	65	40	1,45		310125 61410
20	20	44 x 1/6"	130	14	160	70	40	2,30		310125 62010
25	25	52 x 1/6"	140	14	160	80	40	3,07	310125 42610	310125 62610
32	32	58 x 1/6"	156	14	190	95	40	5,15	310125 43010	310125 63010
40	40	65 x 1/6"	172	14	190	110	40	7,56	310125 43410	310125 63410
50	50	78 x 1/6"	182	14	220	120	25	9,20	310125 43810	310125 63810
65 *	65	95 x 1/6"	196	16	285	130	25	11,27	310125 44410	310125 64410
80 *	80	110 x 1/4"	256	20	310	145	16	23,05	310125 44810	310125 64810
100 *	100	130 x 1/4"	286	20	310	160	16	36,16	310125 45410	310125 65410
125 *	(Reduced) 100	160 x 1/4"	286	25	310	160	16	-	310125 45510	310125 65510

* Four way

KULOVÉ VENTILY III.



POS.	DENOMINATION	PCS	MAT.
1	Body	1	AISI 304L - 316L
2	Ball	1	AISI 304L - 316L
3	Sleeves	3	AISI 304L - 316L
4	Stem	1	AISI 304L - 316L
5	Ball seals	4	PTFE
6	Sleeve seals	3	PTFE
7	Stem seal	1	PTFE
8	Stem seal	1	PTFE
9	Stem OR-seal	1	FKM
10	Register ring	1	AISI 304L (303)
11	Nut	1	AISI 304L
12	Washer	1	AISI 304L
13	Lever	1	AISI 304L
14	Handle	1	Resina

