

KULOVÉ VENTILY III.



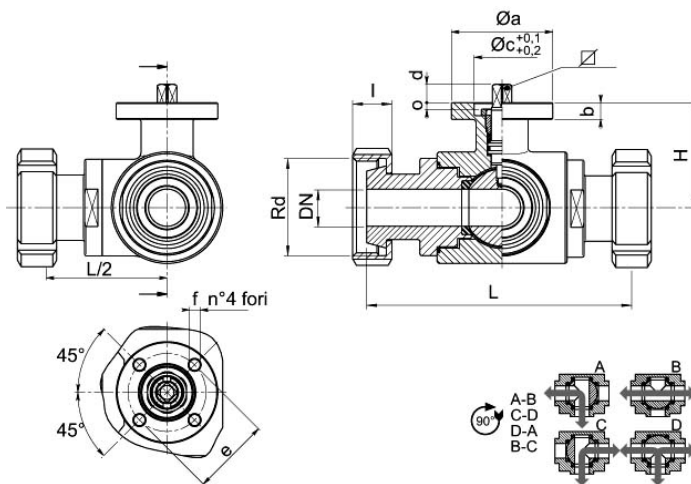
303027

THREE-way ball valve 4 seals with "T"
 Drive: ISO 5211 - DIN 3337 flange for actuator
 Connection: DIN 11851 male/male/male
 Flow: full
 Material: Aisi 304 - 316
 Measure: from DN 10 to DN 100
 Seals: virgin P.T.F.E.
 Operating temperature: -20°C +160°C
 Outer finish: polished

On request

Antistatic device ATEX (Directive 94/9/EC)

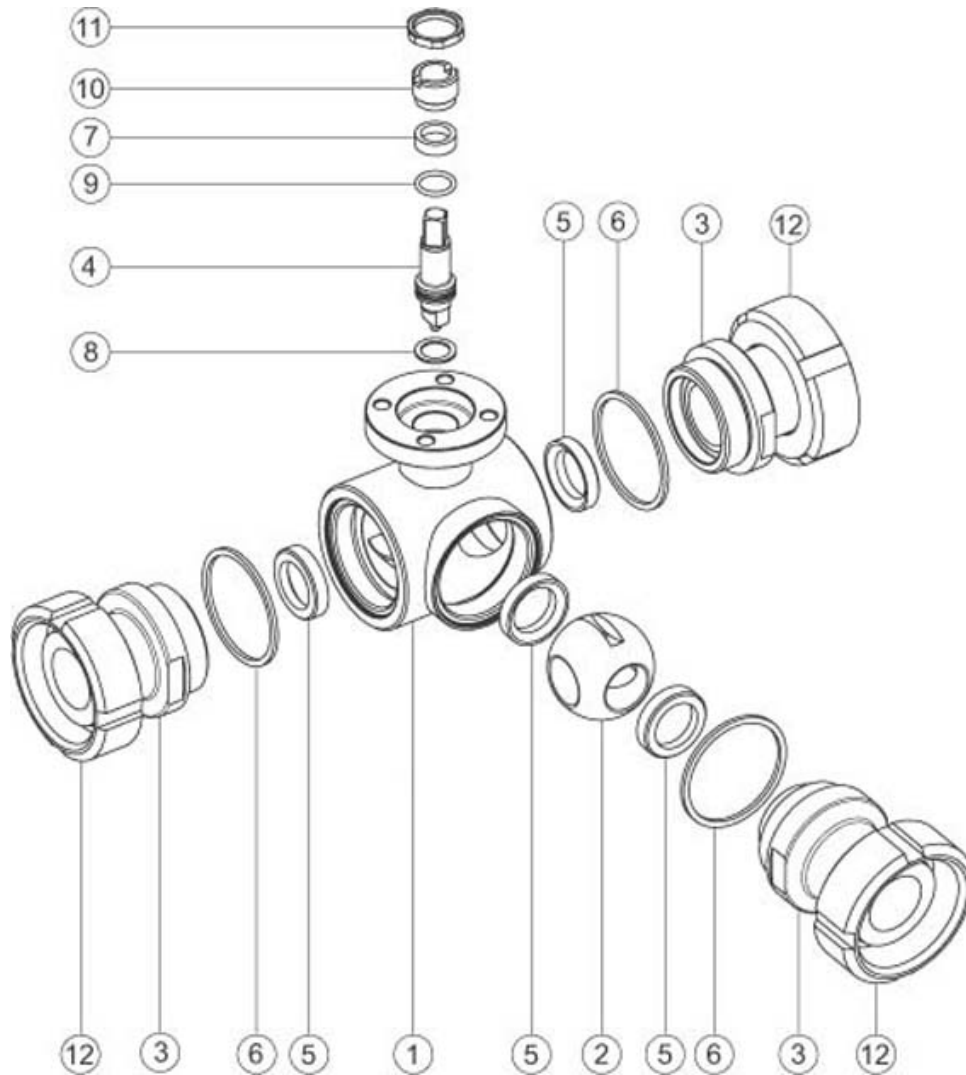
- SMS connection
- DIN female connection
- Seals made of:
 P.T.F.E. with glass
 P.T.F.E. with carbographite
 High-molecular weight polyethylene



DN	Rd	L	I	H	PN	KG	ISO-DIN	DIAM.A	B	DIAM.CXO	QU.	D	E	F	N4 VITI	NM	CODE AISI 304L	CODE AISI 316L
10	28 x 1/8"	116	18	46,5	40	-	F.03	46	9	25x3	9	8	36	6	M5x16	10		303027 60810
10	28 x 1/8"	116	18	46,5	40	-	F.04	54	9	30x3	11	10	42	6	M5x16	10		303027 6081F
15	34 x 1/8"	126	18	49	40	-	F.03	46	9	25x3	9	8	36	6	M5x16	12		303027 61410
15	34 x 1/8"	126	18	49	40	-	F.04	54	9	30x3	11	10	42	6	M5x16	12		303027 6141F
20	44 x 1/6"	144	21	56,5	40	-	F.04	54	9	30x3	11	10	42	6	M5x16	23		303027 62010
20	44 x 1/6"	144	21	56,5	40	-	F.05	65	9	35x3	14	13	50	7	M6x16	23		303027 6201F
25	52 x 1/6"	158	21	61	40	-	F.04	54	9	30x3	11	10	42	6	M5x16	25	303027 42610	303027 62610
25	52 x 1/6"	158	21	61	40	-	F.05	65	9	35x3	14	13	50	7	M6x16	25	303027 4261F	303027 6261F
32	58 x 1/6"	174	21	81,5	40	-	F.05	65	9	35x4	14	13	50	7	M6x20	33	303027 43010	303027 63010
32	58 x 1/6"	174	21	81,5	40	-	F.07	90	12	55x4	17	15	70	9	M8x20	33	303027 4301F	303027 6301F
40	65 x 1/6"	190	21	89	40	-	F.05	65	12	35x4	14	13	50	7	M6x20	40	303027 43410	303027 63410
40	65 x 1/6"	190	21	89	40	-	F.07	90	12	55x4	17	15	70	9	M8x20	40	303027 4341F	303027 6341F
50	78 x 1/6"	202	22	91,5	25	-	F.07	90	12	55x4	17	15	70	9	M8x20	50	303027 43810	303027 63810
50	78 x 1/6"	202	22	91,5	25	-	F.10	125	12	70x4	22	18	102	11	M10x25	50	303027 4381F	303027 6381F
65	95 x 1/6"	214	25	101,5	25	-	F.07	90	12	55x4	17	15	70	9	M8x20	60	303027 44410	303027 64410
65	95 x 1/6"	214	25	101,5	25	-	F.10	125	12	70x4	22	18	102	11	M10x25	60	303027 4441F	303027 6441F
80	110 x 1/4"	266	30	116	16	-	F.07	90	12	55x4	17	15	70	9	M8x20	110	303027 44810	303027 64810
80	110 x 1/4"	266	30	116	16	-	F.10	125	12	70x4	22	18	102	11	M10x25	110	303027 4481F	303027 6481F
100	130 x 1/4"	302	31	131	16	-	F.07	90	12	55x4	17	15	70	9	M8x20	130	303027 45410	303027 65410
100	130 x 1/4"	302	31	131	16	-	F.10	125	12	70x4	22	18	102	11	M10x25	130	303027 4541F	303027 6541F

* Maximum break-out torque in Nm

KULOVÉ VENTILY III.



POS.	DENOMINATION	PCS	MAT.
1	Body	1	AISI 304L - 316L
2	Ball	1	AISI 304L - 316L
3	Sleeves	3	AISI 304L - 316L
4	Stem	1	AISI 304L - 316L
5	Ball seals	4	PTFE
6	Sleeve seals	3	PTFE
7	Stem seal	1	PTFE
8	Stem seal	1	PTFE
9	Stem OR-seal	1	FKM
10	Register ring	1	AISI 304L (303)
11	Locknut	1	AISI 303
12	Stop ring	3	AISI 304L

