

KULOVÉ VENTILY III.



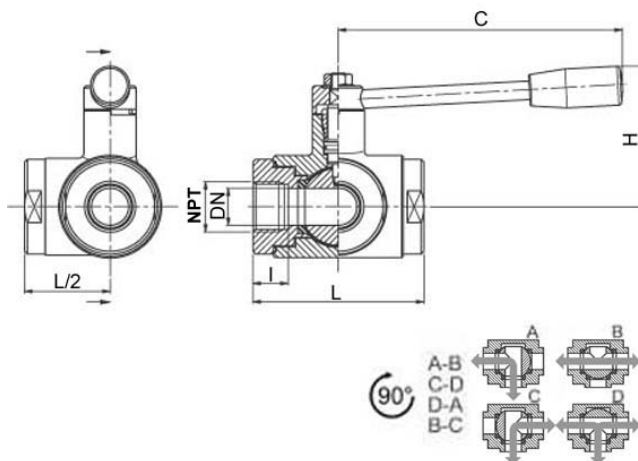
300104

THREE-way ball valve 4 seals with "T"
 Drive: Inox lever
 Connection: NPT female/female/female thread
 Flow: full
 Material: Aisi 316L
 Measure: from 1/4" to 4"
 Seals: virgin P.T.F.E.
 Operating temperature: -20°C +160°C
 Outer finish: polished

On request

Antistatic device ATEX (Directive 94/9/EC)

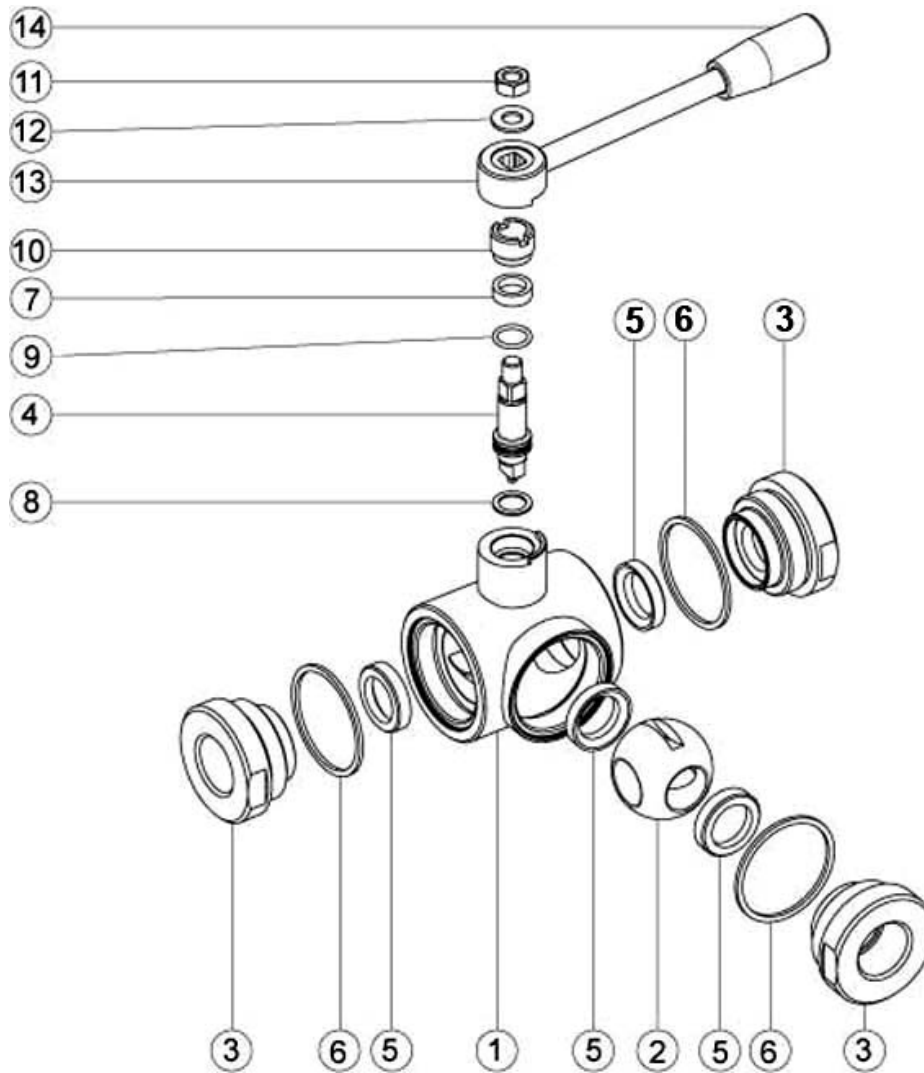
- ISO 7 thread
- Seals made of:
 P.T.F.E. with glass
 P.T.F.E. with carbographe
 High-molecular weight polyethylene



NPT	DN	L	I	C	H	PN	Kg	CODE AISI 316L
1/4"	12	72	14	110	60	40	0,91	300104 60410
3/8"	12	72	16	110	60	40	0,90	300104 60810
1/2"	15	82	18	110	65	40	1,20	300104 61410
3/4"	20	92	19	160	70	40	1,88	300104 62010
1"	25	102	20	160	80	40	2,50	300104 62610
1"1/4	32	118	20	190	95	40	4,42	300104 63010
1"1/2	40	134	20	190	110	40	6,68	300104 63410
2"	50	144	20	220	120	25	7,99	300104 63810
2"1/2 *	65	160	26	285	130	25	9,84	300104 64410
3" *	80	200	28	310	145	16	20,30	300104 64810
4" *	100	240	32	310	160	16	32,75	300104 65410

* Four way

KULOVÉ VENTILY III.



POS.	DENOMINATION	PCS	MAT.
1	Body	1	AISI 304L - 316L
2	Ball	1	AISI 304L - 316L
3	Sleeves	3	AISI 304L - 316L
4	Stem	1	AISI 304L - 316L
5	Ball seals	4	PTFE
6	Sleeve seals	3	PTFE
7	Stem seal	1	PTFE
8	Stem seal	1	PTFE
9	Stem OR-seal	1	FKM
10	Register ring	1	AISI 304L (303)
11	Nut	1	AISI 304L
12	Washer	1	AISI 304L
13	Lever	1	AISI 304L
14	Handle	1	Resina

