

KULOVÉ VENTILY III.



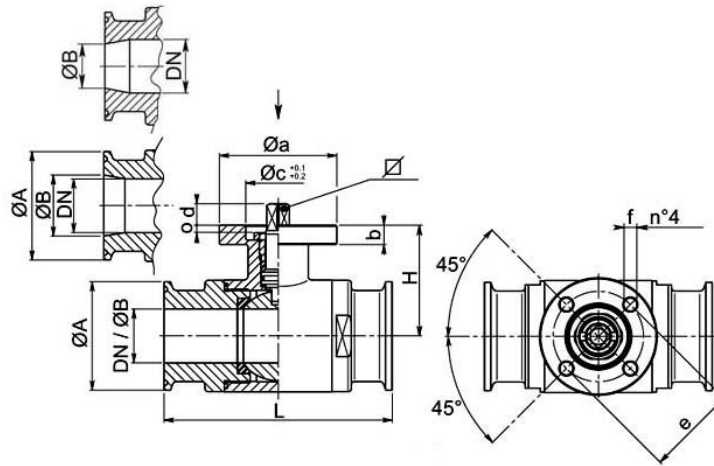
103030_DIN

Two-way ball valve
 Drive: ISO 5211 - DIN 3337 flange for actuator
 Connection: **CLAMP normative DIN 32676 TAB.2 REIHE A**
According to normative DIN 11850 for TUBE
 Flow: full and reduced
 Material: Aisi 304L - 316L
 Measure: from DN10 to DN100
 Seals: virgin P.T.F.E.
 Operating temperature: -20°C +160°C
 Outer finish: polished

On request

Antistatic device ATEX (Directive 94/9/EC)

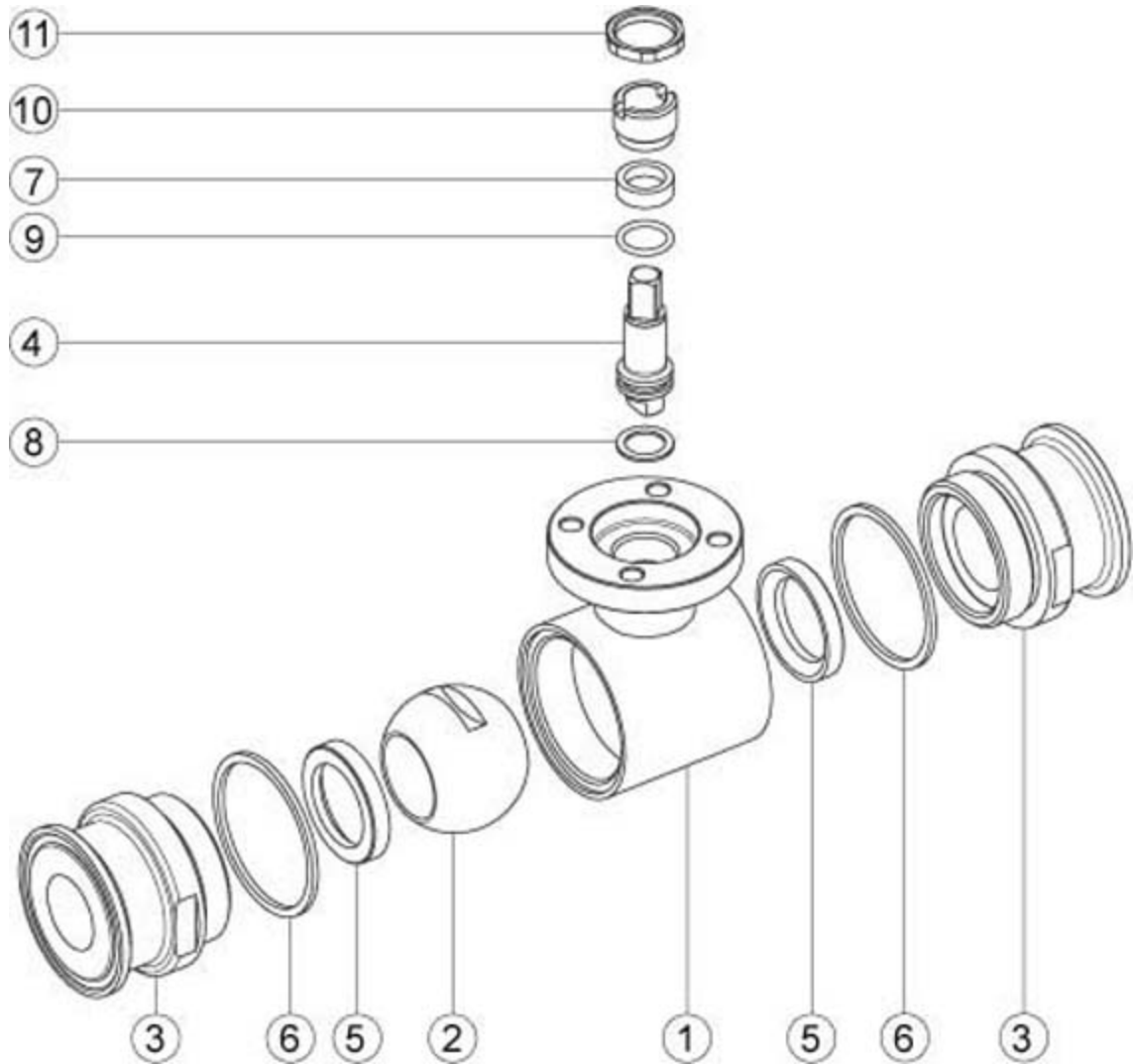
- KF connection
- Seals made of:
 P.T.F.E. with glass
 P.T.F.E. with carbographite
 High-molecular weight polyethylene



CLAMP REIHE A DN	L	Ø A	Ø B	H	PN	KG	ISO-DIN	Ø a	B	Ø c _{xo}	∟	D	E	F	n°4 bolts	NM	304	CODE AISI 316L
10	88	34	10	39	64	0.44	F.03	46	9	25x3	9	8	36	6	M5x16	5		103030 61410
10	88	34	10	39	64	0.46	F.04	54	9	30x3	11	10	42	6	M5x16	5		103030 6141F
15	92	34	16	41,5	64	0.50	F.03	46	9	25x3	9	8	36	6	M5x16	8		103030 61910
15	92	34	16	41,5	64	0.54	F.04	54	9	30x3	11	10	42	6	M5x16	8		103030 6191F
20	102	34	20	45	64	0.95	F.03	46	9	25x3	9	8	36	6	M5x16	12	103030 42010	103030 62010
20	102	34	20	45	64	0.96	F.04	54	9	30x3	11	10	42	6	M5x16	12	103030 4201F	103030 6201F
25	106	50,5	26	51,5	40	1.31	F.04	54	9	30x3	11	10	42	6	M5x16	15	103030 42810	103030 62810
25	106	50,5	26	51,5	40	1.36	F.05	65	9	35x3	14	13	50	7	M6x16	15	103030 4281F	103030 6281F
32	112	50,5	32	56,5	40	1.42	F.04	54	9	30x3	11	10	42	6	M5x16	18	103030 43010	103030 63010
32	112	50,5	32	56,5	40	1.49	F.05	65	9	35x3	14	13	50	7	M6x16	18	103030 4301F	103030 6301F
40	126	50,5	38	76	40	2.42	F.05	65	12	35X4	14	13	50	7	M6X20	25	103030 43510	103030 63510
40	126	50,5	38	76	40	2.57	F.07	90	12	55x4	17	15	70	9	M8x20	25	103030 4351F	103030 6351F
50	136	64	50	84	25	3.44	F.05	65	12	35x4	14	13	50	7	M6x20	30	103030 44010	103030 64010
50	136	64	50	84	25	3.61	F.07	90	12	55x4	17	15	70	9	M8x20	30	103030 4401F	103030 6401F
65	154	91	66	94,5	25	5.84	F.07	90	12	55x4	17	15	70	9	M8x20	45	103030 44610	103030 64610
65	154	91	66	94,5	25	6.34	F.10	125	12	70x4	22	18	102	11	M10x25	45	103030 4461F	103030 6461F
80	184	106	81	106	25	8.9	F.07	90	12	55x4	17	15	70	9	M8x20	70	103030 44910	103030 64910
80	184	106	81	106	25	9.4	F.10	125	12	70x4	22	18	102	11	M10x25	70	103030 4491F	103030 6491F
100	190	119	100	120	25	13.33	F.07	90	12	55x4	17	15	70	9	M8x20	80	103030 45610	103030 65610
100	190	119	100	120	25	13.83	F.10	125	12	70x4	22	18	102	11	M10x25	80	103030 4561F	103030 6561F

* Maximum break-out torque in Nm

KULOVÉ VENTILY III.



POS.	DENOMINATION	PCS	MAT.
1	Body	1	AISI 316L
2	Ball	1	AISI 316L
3	Sleeves	2	AISI 316L
4	Stem	1	AISI 316L
5	Ball seals	2	PTFE
6	Sleeve seals	2	PTFE
7	Stem seal	1	PTFE
8	Stem seal	1	PTFE
9	Stem OR-seal	1	FKM
10	Register ring	1	AISI 304L (303)
11	Locknut	1	AISI 303

