

# KULOVÉ VENTILY III.



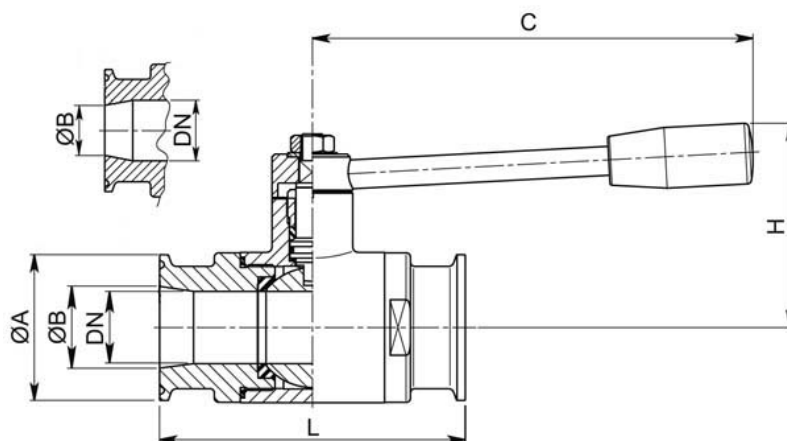
## 100130\_ISO

Two-way ball valve  
 Drive: Inox lever  
 Connection: **CLAMP normative DIN 32676 TAB.3 REIHE B**  
**According to normative ISO 1127 for TUBE**  
 Flow: full and reduced  
 Material: Aisi 304L - 316L  
 Measure: from DN 10 to DN 100  
 Seals: virgin P.T.F.E.  
 Operating temperature: -20°C +160°C  
 Outer finish: polished

### On request

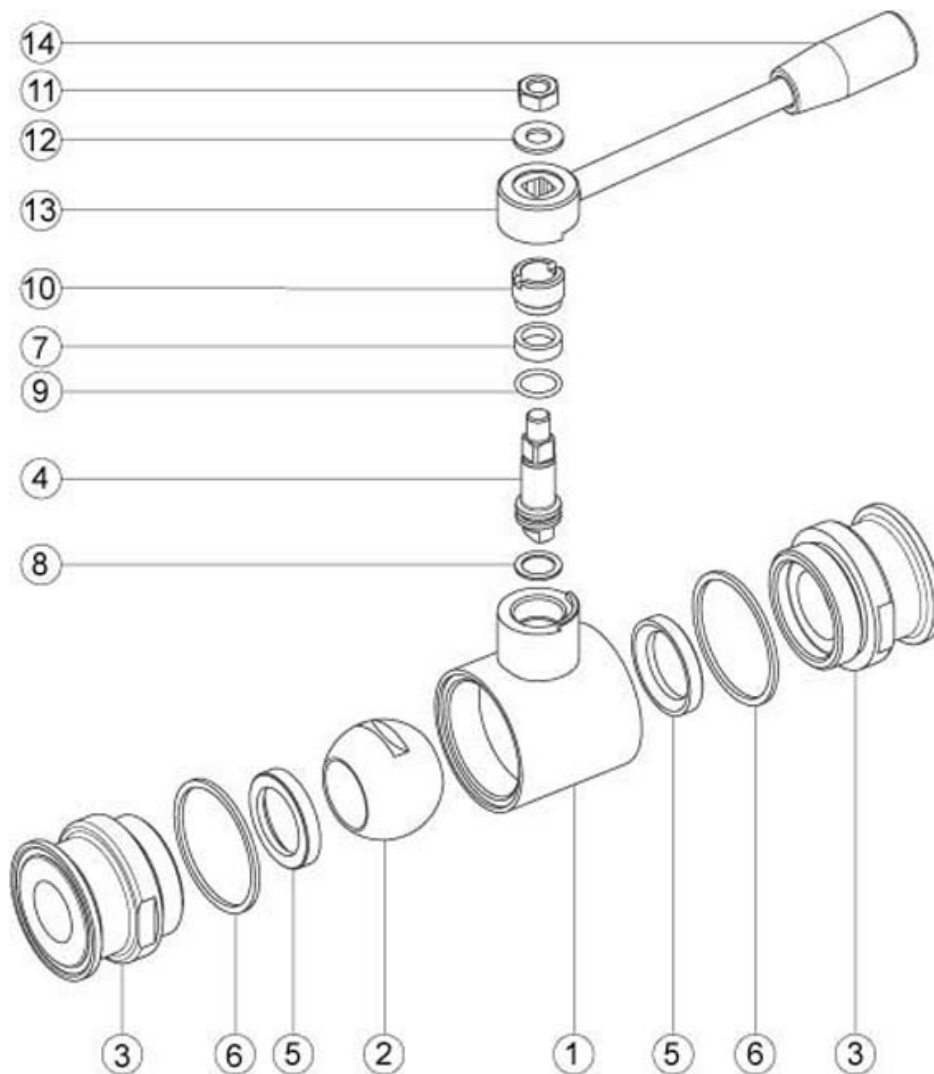
Antistatic device ATEX (Directive 94/9/EC)

- KF connection
- Seals made of:  
 P.T.F.E. with glass  
 P.T.F.E. with carbographtite  
 High-molecular weight polyethylene



CLAMP REIHE B DN/OD	DN	L	Ø A	Ø B	C	H	PN	KG	CODE AISI 316L
13.5	10	88	25	10.3	110	50	64	0,43	100130 61110
17.2	15	92	25	14	110	55	64	0,52	100130 61710
21.3	20	102	50.5	18.1	110	60	64	0,93	100130 62310
26.9	25	106	50,5	23.7	160	65	40	1,35	100130 62510
33.7	32	112	50,5	29.7	160	70	40	1,42	100130 63110
42.4	40	126	64	38.4	190	80	40	2,43	100130 63310
48.3	40	126	64	44.3	190	80	40	2,43	100130 63710
60.3	50	136	77.5	56.3	190	90	25	3,51	100130 64110
76.1	65	154	91	72.1	235	110	25	5,80	100130 64710
88.9	80	184	106	84.3	285	130	25	9,00	100130 65110
114.3	100	190	130	109.7	310	150	25	13,60	100130 65310

# KULOVÉ VENTILY III.



POS.	DENOMINATION	PCS	MAT.
1	Body	1	AISI 316L
2	Ball	1	AISI 316L
3	Sleeves	2	AISI 316L
4	Stem	1	AISI 316L
5	Ball seals	2	PTFE
6	Sleeve seals	2	PTFE
7	Stem seal	1	PTFE
8	Stem seal	1	PTFE
9	Stem OR-seal	1	FKM
10	Register ring	1	AISI 304L (303)
11	Nut	1	AISI 304L
12	Washer	1	AISI 304L
13	Lever	1	AISI 304L
14	Handle	1	Resina

