

KULOVÉ VENTILY III.



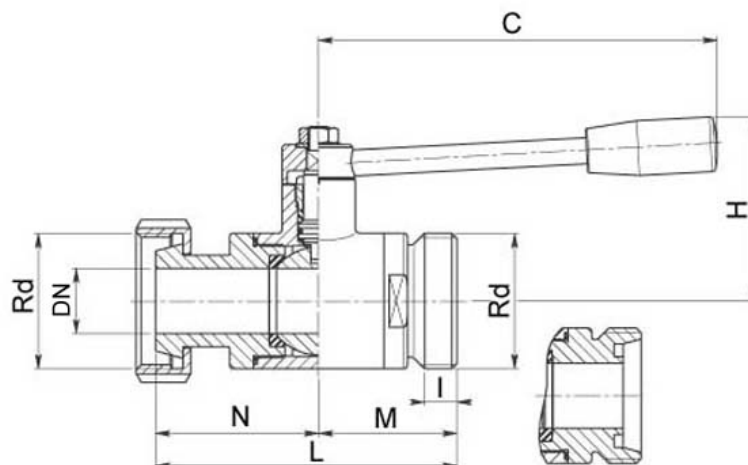
100126

Two-way ball valve
 Drive: Inox lever
 Connection: DIN 11851 female/male
 Flow: full
 Material: Aisi 304 - 316
 Measure: from DN 10 to DN 100
 Seals: virgin P.T.F.E.
 Operating temperature: -20°C +160°C
 Outer finish: polished

On request

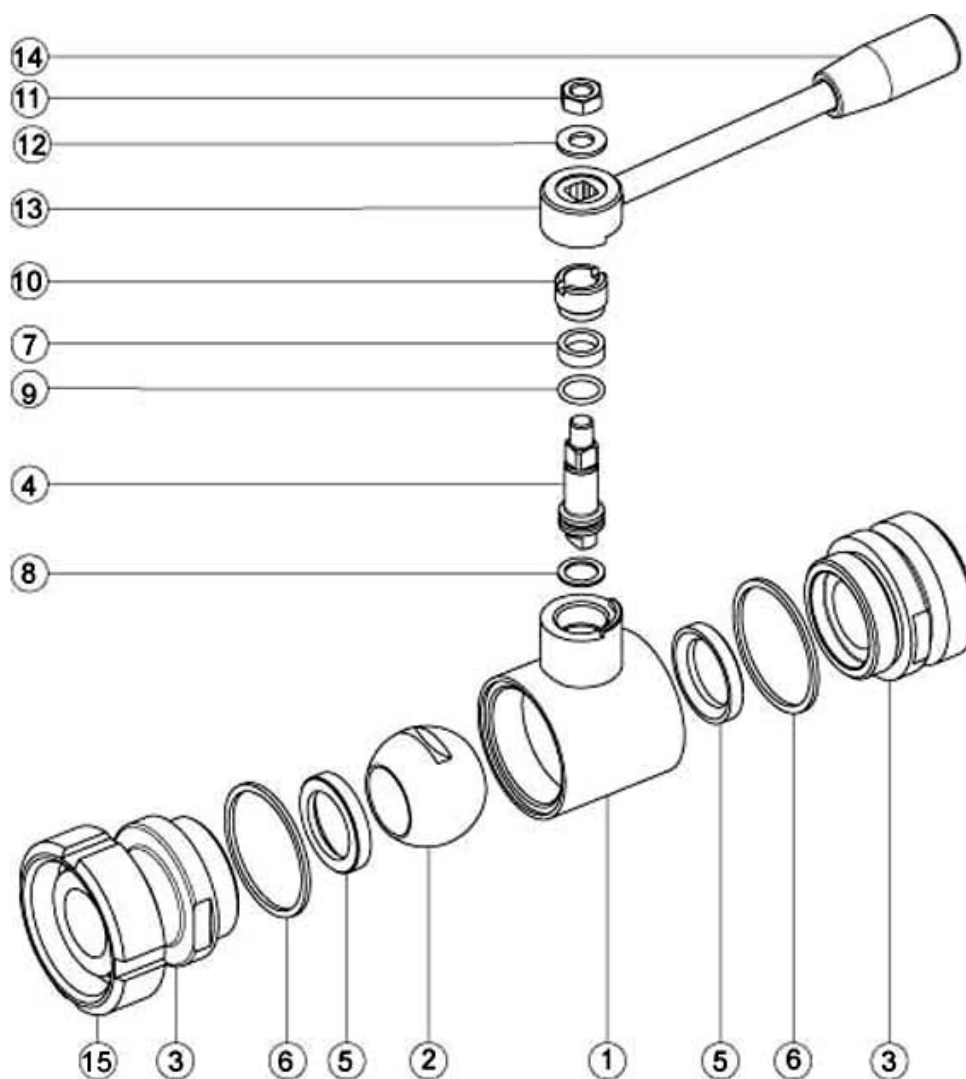
Antistatic device ATEX (Directive 94/9/EC)

- SMS connection
- DIN male/male connection
- Seals made of:
 P.T.F.E. with glass
 P.T.F.E. with carbographe
 High-molecular weight polyethylene



DN	Rd	L	M	N	I	C	H	PN	KG	CODE AISI 304L	CODE AISI 316L
10	28 x 1/8"	94	44	50	12	110	50	64	0,50		100126 60810
15	34 x 1/8"	98	46	52	12	110	55	64	0,65		100126 61410
20	44 x 1/6"	110	51	59	14	110	60	64	0,91		100126 62010
25	52 x 1/6"	115	53	62	14	160	65	40	1,41	100126 42610	100126 62610
32	58 x 1/6"	121	56	65	14	160	70	40	1,75	100126 43010	100126 63010
40	65 x 1/6"	135	63	72	14	190	80	40	2,78	100126 43410	100126 63410
50	78 x 1/6"	146	68	78	14	190	90	25	4,03	100126 43810	100126 63810
65	95 x 1/6"	163	77	86	16	220	110	25	6,80	100126 44410	100126 64410
80	110 x 1/4"	189	92	97	20	285	130	25	10,00	100126 44810	100126 64810
100	130 x 1/4"	198	95	103	20	310	150	25	14,17	100126 45410	100126 65410

KULOVÉ VENTILY III.



POS.	DENOMINATION	PCS	MAT.
1	Body	1	AISI 304L - 316L
2	Ball	1	AISI 304L - 316L
3	Sleeves	2	AISI 304L - 316L
4	Stem	1	AISI 304L - 316L
5	Ball seals	2	PTFE
6	Sleeve seals	2	PTFE
7	Stem seal	1	PTFE
8	Stem seal	1	PTFE
9	Stem OR-seal	1	FKM
10	Register ring	1	AISI 304L (303)
11	Nut	1	AISI 304L
12	Washer	1	AISI 304L
13	Lever	1	AISI 304L
14	Handle	1	Resina
15	Stop ring	1	AISI 304L

