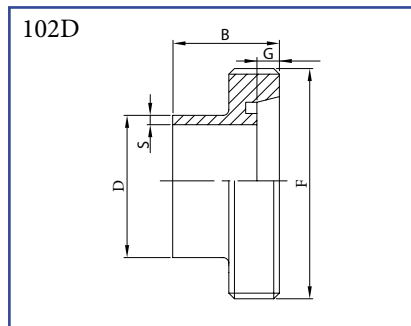


Šroubení DIN 11851: dodáváme z nerezové oceli AISI 304, AISI 304/L nebo AISI 316/L
Vnější povrch leštěný. Standardní kompletní šroubení se skládá z následujících položek:
 cod. 102D (závitové hrdlo), cod. 112D (kuželové hrdlo)
 cod. 121D (matice šroubení), cod. 131D (těsnění šroubení)

Šroubení SMS: dodáváme z materiálu AISI 304/L nebo AISI 316/L
Vnější povrch glazura. Standardní kompletní šroubení se skládá z následujících položek:
 cod. 102S (závitové hrdlo), cod. 112S (kuželové hrdlo)
 cod. 121S (matice šroubení), cod. 131S (těsnění šroubení)

Na přání:
 šroubení dle RJT BS a ISS IDF, materiál DIN 1.4571 a další.

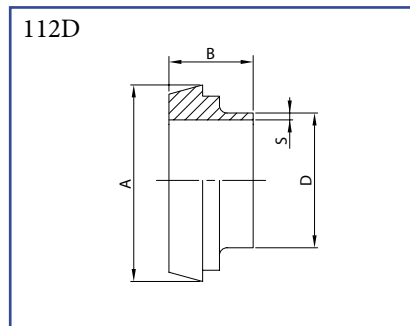
Závitové hrdlo
přivařovací
AISI 304, AISI 304/L, AISI 316/L



| DN | řada 1 D x S | řada 2* D x S | B | G | F | kg |
|-----|-----------------|------------------|------|------|-------|------|
| 10 | 12,0 x 1,0 | 13,0 x 1,5 | 21,0 | 4,0 | 28-8 | 0,03 |
| 15 | 18,0 x 1,0 | 19,0 x 1,5 | 21,0 | 4,0 | 34-8 | 0,05 |
| 20 | 22,0 x 1,0 | 23,0 x 1,5 | 24,0 | 6,0 | 44-6 | 0,10 |
| 25 | 28,0 x 1,5 | 29,0 x 1,5 | 29,0 | 7,0 | 52-6 | 0,12 |
| 32 | 34,0 x 1,5 | 35,0 x 1,5 | 32,0 | 7,0 | 58-6 | 0,15 |
| 40 | 40,0 x 1,5 | 41,0 x 1,5 | 33,0 | 7,0 | 65-6 | 0,18 |
| 50 | 52,0 x 1,5 | 53,0 x 1,5 | 35,0 | 7,0 | 78-6 | 0,24 |
| 65 | 70,0 x 2,0 | | 40,0 | 8,0 | 95-6 | 0,34 |
| 80 | 85,0 x 2,0 | | 45,0 | 8,0 | 110-4 | 0,54 |
| 100 | 104,0 x 2,0 | | 54,0 | 10,0 | 130-4 | 0,74 |
| 125 | 129,0 x 2,0 | | 46,0 | 12,0 | 160-4 | 0,99 |
| 150 | 154,0 x 2,0 | | 50,0 | 13,0 | 190-4 | 1,71 |

* standardně dodáváme z materiálu AISI 304

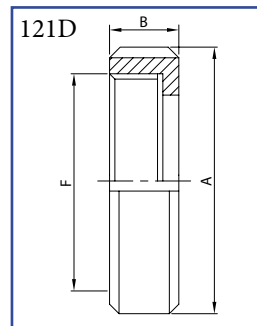
Kuželové hrdlo
přivařovací
AISI 304, AISI 304/L, AISI 316/L



| DN | řada 1 D x S | řada 2* D x S | A | B | kg |
|-----|-----------------|------------------|-------|------|------|
| 10 | 12,0 x 1,0 | 13,0 x 1,5 | 22,0 | 17,0 | 0,02 |
| 15 | 18,0 x 1,0 | 19,0 x 1,5 | 28,0 | 17,0 | 0,03 |
| 20 | 22,0 x 1,0 | 23,0 x 1,5 | 36,0 | 18,0 | 0,06 |
| 25 | 28,0 x 1,5 | 29,0 x 1,5 | 44,0 | 22,0 | 0,09 |
| 32 | 34,0 x 1,5 | 35,0 x 1,5 | 50,0 | 25,0 | 0,10 |
| 40 | 40,0 x 1,5 | 41,0 x 1,5 | 56,0 | 26,0 | 0,12 |
| 50 | 52,0 x 1,5 | 53,0 x 1,5 | 68,0 | 28,0 | 0,18 |
| 65 | 70,0 x 2,0 | | 86,0 | 32,0 | 0,28 |
| 80 | 85,0 x 2,0 | | 100,0 | 37,0 | 0,38 |
| 100 | 104,0 x 2,0 | | 121,0 | 44,0 | 0,66 |
| 125 | 129,0 x 2,0 | | 150,0 | 34,0 | 0,77 |
| 150 | 154,0 x 2,0 | | 176,0 | 37,0 | 1,01 |

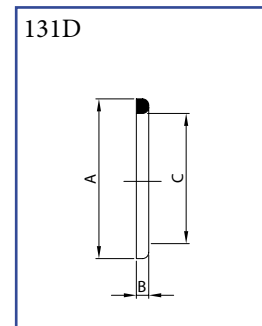
* standardně dodáváme z materiálu AISI 304

Převlečná matice
AISI 304, AISI 304/L
AISI 316/L



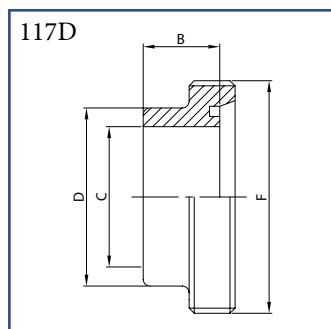
| DN | A | B | F | kg |
|-----|-------|------|-------|------|
| 10 | 38,0 | 18,0 | 28-8 | 0,07 |
| 15 | 44,0 | 18,0 | 34-8 | 0,10 |
| 20 | 54,0 | 21,0 | 44-6 | 0,15 |
| 25 | 63,0 | 21,0 | 52-6 | 0,16 |
| 32 | 70,0 | 21,0 | 58-6 | 0,19 |
| 40 | 78,0 | 21,0 | 65-6 | 0,24 |
| 50 | 92,0 | 22,0 | 78-6 | 0,32 |
| 65 | 112,0 | 25,0 | 95-6 | 0,54 |
| 80 | 127,0 | 30,0 | 110-4 | 0,77 |
| 100 | 148,0 | 31,0 | 130-4 | 0,99 |
| 125 | 178,0 | 35,0 | 160-4 | 1,40 |
| 150 | 210,0 | 41,0 | 190-4 | 1,80 |

Těsnění šroubení
EPDM, NBR, VITON
SILIKON, PTFE



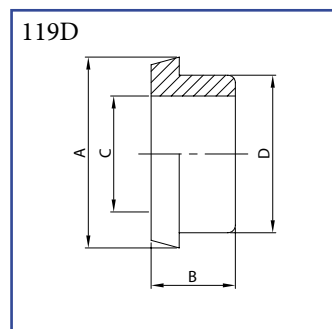
| DN | A | B | C |
|-----|-------|-----|-------|
| 10 | 20,0 | 4,0 | 12,0 |
| 15 | 26,0 | 4,0 | 18,0 |
| 20 | 33,0 | 4,0 | 23,0 |
| 25 | 40,0 | 5,0 | 30,0 |
| 32 | 46,0 | 5,0 | 36,0 |
| 40 | 52,0 | 5,0 | 42,0 |
| 50 | 64,0 | 5,0 | 54,0 |
| 65 | 81,0 | 5,0 | 71,0 |
| 80 | 95,0 | 5,0 | 85,0 |
| 100 | 114,0 | 5,0 | 104,0 |
| 125 | 142,0 | 6,0 | 130,0 |
| 150 | 167,0 | 6,0 | 155,0 |

Závitové hrdlo - ISO
přivařovací
AISI 304/L, AISI 316/L



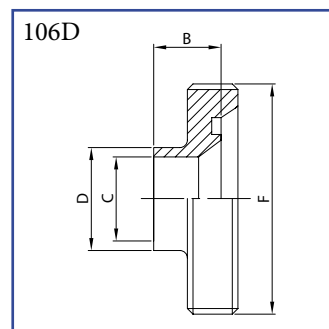
| DN | B | C | D | F | kg |
|-----|------|-------|-------|-------|------|
| 10 | 17,0 | 10,0 | 18,0 | 28-8 | 0,04 |
| 15 | 17,0 | 16,0 | 24,0 | 34-8 | 0,06 |
| 20 | 18,0 | 20,0 | 30,0 | 44-6 | 0,12 |
| 25 | 22,0 | 25,0 | 35,0 | 52-6 | 0,14 |
| 32 | 25,0 | 31,0 | 41,0 | 58-6 | 0,18 |
| 40 | 26,0 | 37,0 | 48,0 | 65-6 | 0,24 |
| 50 | 28,0 | 49,0 | 61,0 | 78-6 | 0,36 |
| 65 | 32,0 | 66,0 | 79,0 | 95-6 | 0,42 |
| 80 | 37,0 | 81,0 | 93,0 | 110-4 | 0,67 |
| 100 | 44,0 | 100,0 | 114,0 | 130-4 | 1,24 |
| 125 | 34,0 | 125,0 | 137,0 | 160-4 | 1,60 |
| 150 | 37,0 | 150,0 | 163,0 | 190-4 | 2,00 |

Kuželové hrdlo - ISO
přivařovací
AISI 304/L, AISI 316/L



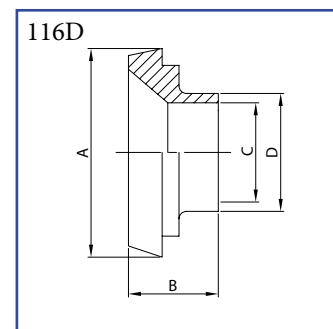
| DN | A | B | C | D | kg |
|-----|-------|------|-------|-------|------|
| 10 | 22,0 | 17,0 | 10,0 | 18,0 | 0,03 |
| 15 | 28,0 | 17,0 | 16,0 | 24,0 | 0,04 |
| 20 | 36,0 | 18,0 | 20,0 | 30,0 | 0,07 |
| 25 | 44,0 | 22,0 | 25,0 | 35,0 | 0,10 |
| 32 | 50,0 | 25,0 | 31,0 | 41,0 | 0,14 |
| 40 | 56,0 | 26,0 | 37,0 | 48,0 | 0,18 |
| 50 | 68,0 | 28,0 | 49,0 | 61,0 | 0,23 |
| 65 | 86,0 | 32,0 | 66,0 | 79,0 | 0,36 |
| 80 | 100,0 | 37,0 | 81,0 | 93,0 | 0,50 |
| 100 | 121,0 | 44,0 | 100,0 | 114,0 | 0,91 |
| 125 | 150,0 | 34,0 | 125,0 | 137,0 | 1,30 |
| 150 | 176,0 | 37,0 | 150,0 | 163,0 | 1,80 |

Závitové hrdlo redukované
přivařovací
AISI 304/L, AISI 316/L



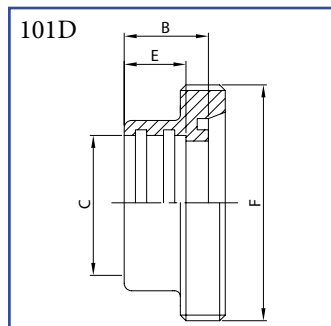
| DN | B | C | D | F | kg |
|--------|------|------|------|-------|------|
| 32/28 | 23,0 | 25,0 | 28,0 | 58-6 | 0,16 |
| 40/28 | 23,0 | 25,0 | 28,0 | 65-6 | 0,21 |
| 40/34 | 25,0 | 31,0 | 34,0 | 65-6 | 0,22 |
| 50/28 | 25,0 | 25,0 | 28,0 | 78-6 | 0,22 |
| 50/34 | 25,0 | 31,0 | 34,0 | 78-6 | 0,33 |
| 50/40 | 25,0 | 37,0 | 40,0 | 78-6 | 0,33 |
| 65/40 | 28,0 | 37,0 | 40,0 | 95-6 | 0,46 |
| 65/52 | 29,0 | 49,0 | 52,0 | 95-6 | 0,61 |
| 80/70 | 33,0 | 66,0 | 70,0 | 110-4 | 0,84 |
| 100/85 | 35,0 | 81,0 | 85,0 | 130-4 | 1,25 |

Kuželové hrdlo redukované
přivařovací
AISI 304/L, AISI 316/L



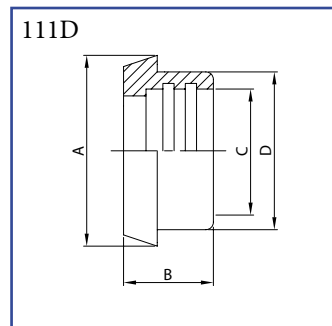
| DN | A | B | C | D | kg |
|--------|-------|------|------|------|-------|
| 32/28 | 50,0 | 18,0 | 25,0 | 28,0 | 0,135 |
| 40/28 | 56,0 | 18,0 | 25,0 | 28,0 | 0,185 |
| 40/34 | 56,0 | 18,0 | 31,0 | 34,0 | 0,200 |
| 50/28 | 68,0 | 19,0 | 25,0 | 28,0 | 0,285 |
| 50/34 | 68,0 | 19,0 | 31,0 | 34,0 | 0,275 |
| 50/40 | 68,0 | 19,0 | 37,0 | 40,0 | 0,280 |
| 65/40 | 86,0 | 21,0 | 37,0 | 40,0 | 0,515 |
| 65/52 | 86,0 | 21,0 | 49,0 | 52,0 | 0,480 |
| 80/70 | 100,0 | 21,0 | 66,0 | 70,0 | 0,625 |
| 100/85 | 121,0 | 25,0 | 81,0 | 85,0 | 0,880 |

Závité hrdlo
na zaválcování
AISI 304/L, AISI 316/L



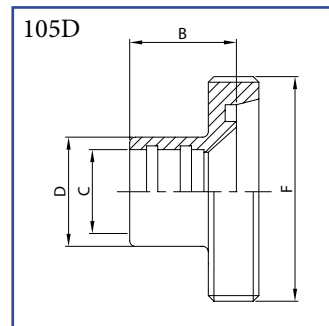
| DN | B | C | E | F | kg |
|-----|------|-------|------|-------|------|
| 10 | 17,0 | 12,0 | 12,0 | 28-8 | 0,04 |
| 15 | 17,0 | 18,0 | 12,0 | 34-8 | 0,06 |
| 20 | 18,0 | 22,0 | 12,0 | 44-6 | 0,11 |
| 25 | 22,0 | 28,0 | 15,0 | 52-6 | 0,13 |
| 32 | 25,0 | 34,0 | 18,0 | 58-6 | 0,17 |
| 40 | 26,0 | 40,0 | 20,0 | 65-6 | 0,21 |
| 50 | 28,0 | 52,0 | 22,0 | 78-6 | 0,28 |
| 65 | 32,0 | 70,0 | 25,0 | 95-6 | 0,38 |
| 80 | 37,0 | 85,0 | 28,0 | 110-4 | 0,60 |
| 100 | 44,0 | 104,0 | 35,0 | 130-4 | 1,00 |

Kuželové hrdlo
na zaválcování
AISI 304/L, AISI 316/L



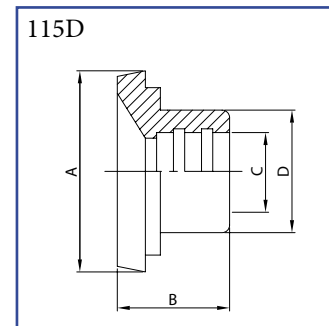
| DN | A | B | C | D | kg |
|-----|-------|------|-------|-------|------|
| 10 | 22,0 | 17,0 | 12,0 | 18,0 | 0,03 |
| 15 | 28,0 | 17,0 | 18,0 | 24,0 | 0,03 |
| 20 | 36,0 | 18,0 | 22,0 | 30,0 | 0,06 |
| 25 | 44,0 | 22,0 | 28,0 | 35,0 | 0,09 |
| 32 | 50,0 | 25,0 | 34,0 | 41,0 | 0,11 |
| 40 | 56,0 | 26,0 | 40,0 | 48,0 | 0,14 |
| 50 | 68,0 | 28,0 | 52,0 | 61,0 | 0,20 |
| 65 | 86,0 | 32,0 | 70,0 | 79,0 | 0,30 |
| 80 | 100,0 | 37,0 | 85,0 | 93,0 | 0,38 |
| 100 | 121,0 | 44,0 | 104,0 | 114,0 | 0,78 |

Závité hrdlo redukované
na zaválcování
AISI 304/L, AISI 316/L



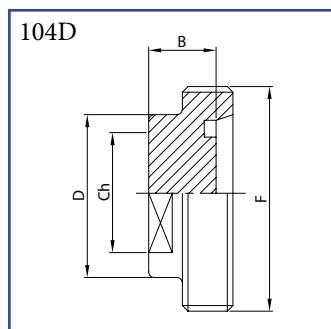
| DN | B | C | D | F | kg |
|--------|------|------|------|-------|------|
| 32/25 | 21,0 | 28,0 | 35,0 | 58-6 | 0,15 |
| 40/25 | 21,0 | 28,0 | 35,0 | 65-6 | 0,20 |
| 40/32 | 23,0 | 34,0 | 41,0 | 65-6 | 0,20 |
| 50/25 | 27,0 | 28,0 | 35,0 | 78-6 | 0,26 |
| 50/32 | 27,0 | 34,0 | 41,0 | 78-6 | 0,34 |
| 50/40 | 28,0 | 40,0 | 48,0 | 78-6 | 0,30 |
| 65/40 | 28,0 | 40,0 | 48,0 | 95-6 | 0,44 |
| 65/50 | 32,0 | 52,0 | 61,0 | 95-6 | 0,46 |
| 80/65 | 34,0 | 70,0 | 79,0 | 110-4 | 0,72 |
| 100/80 | 35,0 | 85,0 | 93,0 | 130-4 | 1,20 |

Kuželové hrdlo redukované
na zaválcování
AISI 304/L, AISI 316/L



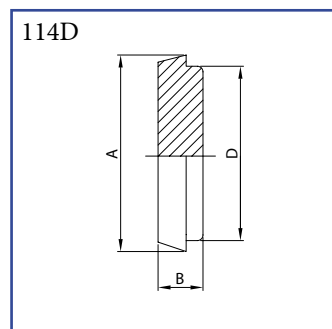
| DN | A | B | C | D | kg |
|--------|-------|------|------|------|------|
| 32/25 | 50,0 | 25,0 | 28,0 | 35,0 | 0,14 |
| 40/25 | 56,0 | 25,0 | 28,0 | 35,0 | 0,18 |
| 40/32 | 56,0 | 28,0 | 34,0 | 41,0 | 0,18 |
| 50/25 | 68,0 | 28,0 | 28,0 | 35,0 | 0,28 |
| 50/32 | 68,0 | 28,0 | 34,0 | 41,0 | 0,28 |
| 50/40 | 68,0 | 31,0 | 40,0 | 48,0 | 0,30 |
| 65/40 | 86,0 | 32,0 | 40,0 | 48,0 | 0,50 |
| 65/50 | 86,0 | 33,0 | 52,0 | 61,0 | 0,50 |
| 80/65 | 100,0 | 38,0 | 70,0 | 79,0 | 0,54 |
| 100/80 | 121,0 | 41,0 | 85,0 | 93,0 | 0,98 |

Závité hrdlo
zaslepovací
AISI 304/L, AISI 316/L



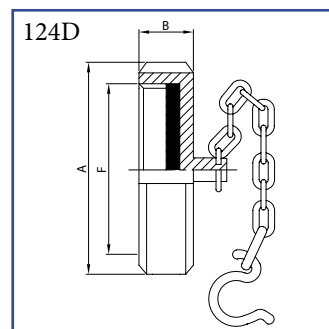
| DN | B | Ch | D | F | kg |
|-----|------|-------|-------|-------|------|
| 10 | 18,0 | 13,0 | 18,0 | 28-8 | 0,03 |
| 15 | 18,0 | 19,0 | 24,0 | 34-8 | 0,05 |
| 20 | 18,0 | 24,0 | 30,0 | 44-6 | 0,10 |
| 25 | 17,0 | 27,0 | 35,0 | 52-6 | 0,24 |
| 32 | 17,0 | 32,0 | 41,0 | 58-6 | 0,29 |
| 40 | 17,0 | 40,0 | 48,0 | 65-6 | 0,37 |
| 50 | 17,0 | 50,0 | 61,0 | 78-6 | 0,53 |
| 65 | 18,0 | 65,0 | 79,0 | 95-6 | 0,80 |
| 80 | 22,0 | 80,0 | 93,0 | 110-4 | 1,05 |
| 100 | 20,0 | 100,0 | 114,0 | 130-4 | 1,87 |

Kuželové hrdlo
zaslepovací
AISI 304/L, AISI 316/L



| DN | A | B | D | kg |
|-----|-------|------|-------|------|
| 10 | 22,0 | 10,0 | 18,0 | 0,03 |
| 15 | 28,0 | 10,0 | 24,0 | 0,04 |
| 20 | 36,0 | 12,0 | 30,0 | 0,09 |
| 25 | 44,0 | 14,0 | 35,0 | 0,14 |
| 32 | 50,0 | 14,0 | 41,0 | 0,18 |
| 40 | 56,0 | 14,0 | 48,0 | 0,23 |
| 50 | 68,0 | 15,0 | 61,0 | 0,38 |
| 65 | 86,0 | 17,0 | 79,0 | 0,70 |
| 80 | 100,0 | 17,0 | 93,0 | 0,97 |
| 100 | 121,0 | 21,0 | 114,0 | 1,75 |
| 125 | 150,0 | 24,0 | 137,0 | 3,12 |
| 150 | 176,0 | 25,0 | 163,0 | 4,45 |

Zaslepovací matice
s úchytem*
AISI 304/L, AISI 316/L



| DN | A | B | F | kg |
|-----|-------|------|-------|------|
| 10 | 38,0 | 18,0 | 28-8 | 0,10 |
| 15 | 44,0 | 18,0 | 34-8 | 0,12 |
| 20 | 54,0 | 21,0 | 44-6 | 0,18 |
| 25 | 63,0 | 21,0 | 52-6 | 0,20 |
| 32 | 70,0 | 21,0 | 58-6 | 0,25 |
| 40 | 78,0 | 21,0 | 65-6 | 0,29 |
| 50 | 92,0 | 22,0 | 78-6 | 0,37 |
| 65 | 112,0 | 25,0 | 95-6 | 0,70 |
| 80 | 127,0 | 30,0 | 110-4 | 0,97 |
| 100 | 148,0 | 31,0 | 130-4 | 1,40 |
| 125 | 178,0 | 35,0 | 160-4 | 1,80 |
| 150 | 210,0 | 41,0 | 190-4 | 2,20 |

* na přání také bez úchyty