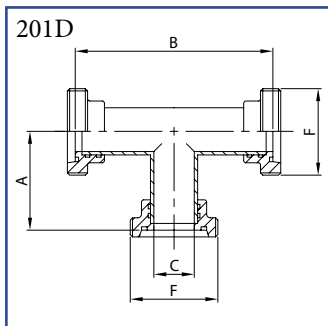
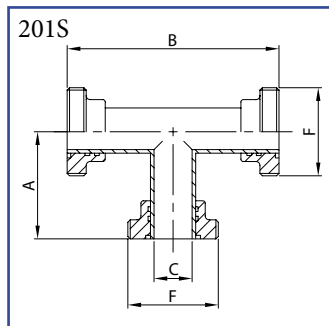


T-kus DIN  
se závitovými konci  
AISI 304/L, AISI 316/L



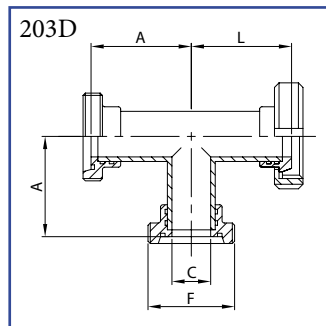
DN	A	B	C	F	kg
25	57,0	114,0	25,0	52-6	0,52
32	62,0	124,0	31,0	58-6	0,69
40	66,0	132,0	37,0	65-6	0,87
50	76,0	152,0	49,0	78-6	1,15
65	87,0	174,0	66,0	95-6	1,79
80	99,0	198,0	81,0	110-4	2,87
100	109,0	218,0	100,0	130-4	4,85

T-kus SMS  
se závitovými konci  
AISI 304/L, AISI 316/L



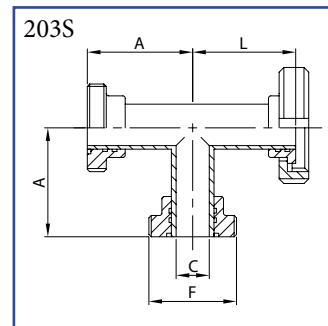
DN	A	B	C	F	kg
25	55,0	110,0	22,4	40-6	0,40
38	70,0	140,0	35,1	60-6	0,92
51	82,0	164,0	47,8	70-6	1,15
63	105,0	210,0	60,5	85-6	1,85
76	110,0	220,0	72,9	98-6	2,53
101	150,0	300,0	97,6	132-6	5,27

T-kus DIN  
závit/závit/matice  
AISI 304/L, AISI 316/L



DN	A	C	F	L	kg
25	57,0	25,0	52-6	57,0	0,63
32	62,0	31,0	58-6	62,0	0,82
40	66,0	37,0	65-6	66,0	1,04
50	76,0	49,0	78-6	76,0	1,39
65	87,0	66,0	95-6	87,0	2,25
80	99,0	81,0	110-4	99,0	3,42
100	109,0	100,0	130-4	109,0	5,62

T-kus SMS  
závit/závit/matice  
AISI 304/L, AISI 316/L



DN	A	B	C	F	kg
25	55,0	22,4	40-6	55,0	0,49
38	70,0	35,1	60-6	70,0	1,11
51	82,0	47,8	70-6	82,0	1,36
63	105,0	60,5	85-6	105,0	2,17
76	110,0	72,9	98-6	110,0	2,98
101	150,0	97,6	132-6	150,0	5,85