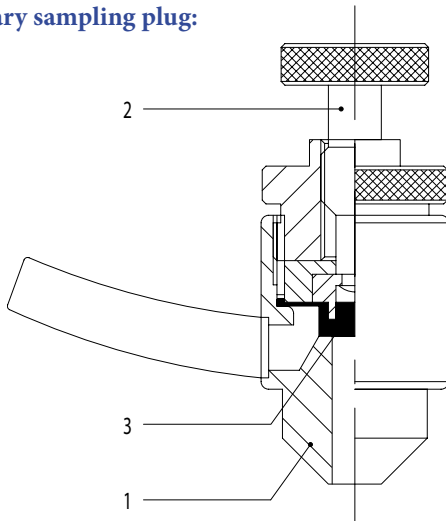


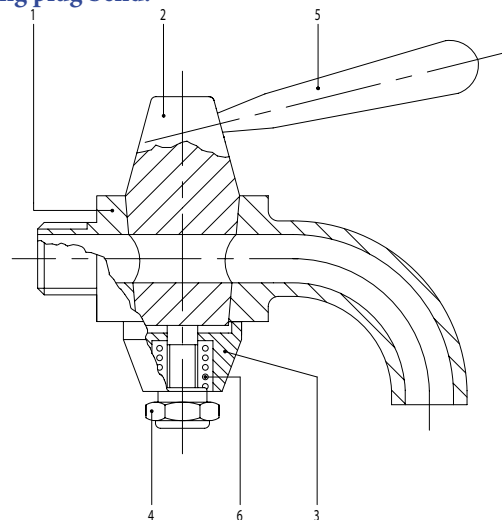


Sanitary sampling plug:



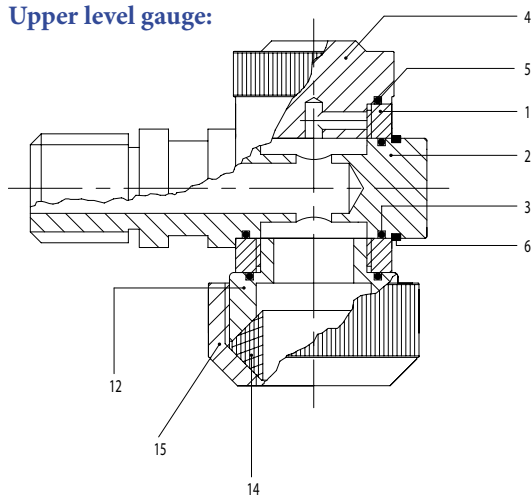
No.	Piece	Code	Norm	1/2"	Material
1	Plug casing	36	W	8	316L
1	Plug casing	36	K	12	316L
1	Plug casing	36	G	1/4"	316L
2	Plug	36		12	316L
3	Seal	36		12	silicone

Sampling plug bend:



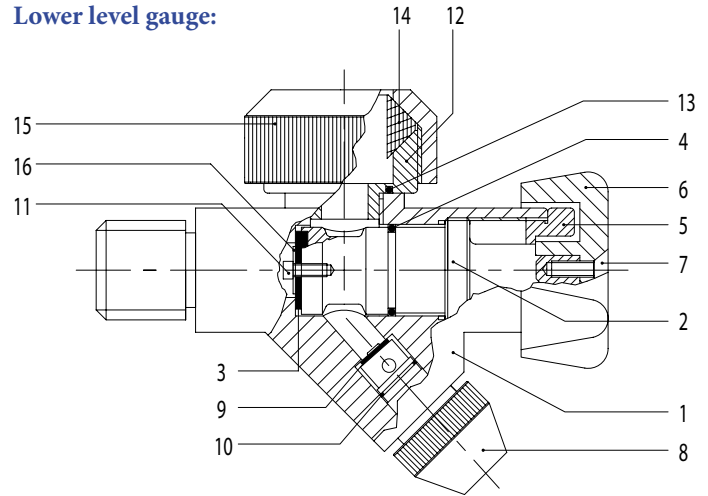
No.	Piece	Code	Norm	1/4"	3/8"	1/2"	Mat.
1	Plug casing	033	G	14	38	12	316L
2	Plug	033		14/38	14/38	12	316L
3	Spring holder	033		14/38	14/38	12	316L
4	Self-locking nut	033		14/38	14/38	12	304L
5	Handle	033		14/12	14/12	14/12	304L
6	Spring	033		14/38	14/38	12	304L

Upper level gauge:



No.	Piece	Code	Norm	1/2"	Material
1	Plug casing	047		12	316L
2	Plug	047	G	12	316L
3	OR seal ring	OR		2056	NBR
4	Air vent plug	038		12	316L
5	OR seal ring	OR		2068	NBR
6	Snap ring	SEE		A 18	304L
12	Glass holder	038		12	316L
14	Glass seal	038		12	S/V
15	Glass locking collar	038		12	A/4L

Lower level gauge:

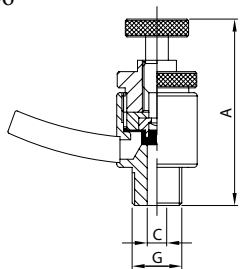


No.	Piece	Code	Norm	1/2"	Material
1	Plug casing	038	G	12	316L
2	Plug	038		12	316L
3	Plug seal	038		12	EPDM
4	OR seal ring	OR		3050	NBR
5	Locking collar	038		12	A
6	Handle	038		12	A
7	Screw	TSV		M4x10	304L
8	Sampling nozzle	038		12	316L
9	Drain seal	038		12	EPDM
10	OR seal ring	OR		2043	NBR
11	Screw	TCCE		M3x6	304L
12	Glass holder	038		12	316L
13	OR seal ring	OR		2068	NBR
14	Glass seal	038		12	S/V
15	Glass locking collar	038		12	A/4L
16	Washer	RON		RP3	304L



Sanitary sampling plug
BSP

G36

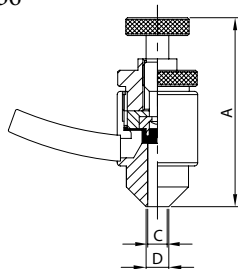


DN A C G Kg

14 57,6 6,0 1/4" 0,12

Sanitary sampling plug
plain end

W36

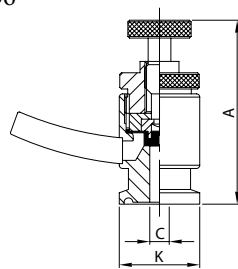


DN A C D Kg

8 57,6 6,0 8,0 0,12

Sanitary sampling plug
end ferrule CLAMP

K36

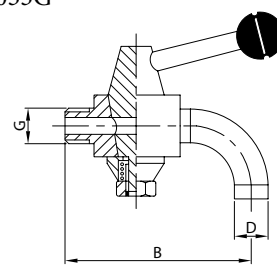


DN A C K Kg

1/2" 12 57,6 9,4 25,0 0,12

Sample cock bend

033G



DN B D G Kg

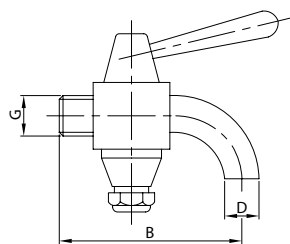
14 60,0 11,0 1/4" 0,175

38 60,0 11,0 3/8" 0,185

12 68,0 13,7 1/2" 0,33

Sampling plug
NPT

T33

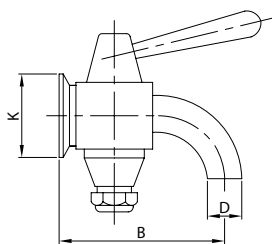


DN B D G Kg

1 1/2" 38 78,0 11,0 3/8" 0,185

Sampling plug
end ferrule CLAMP

K33

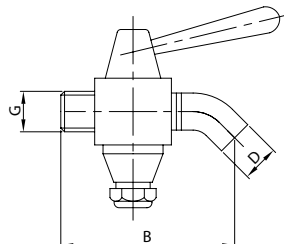


DN B D K Kg

1" 25 68,0 11,0 50,5 0,2

Sampling plug
NPT

T33R

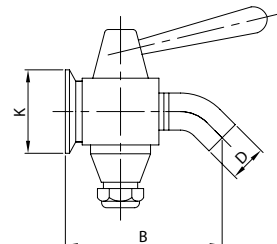


DN B D G Kg

1 1/2" 38 84,0 11,0 3/8" 0,185

Sampling plug
end ferrule CLAMP

K33R

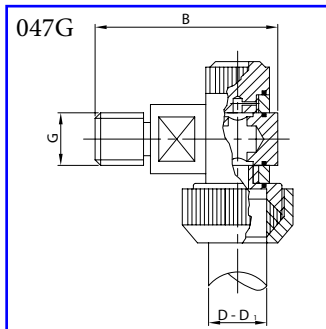


DN B D K Kg

1" 25 76,0 11,0 50,5 0,2

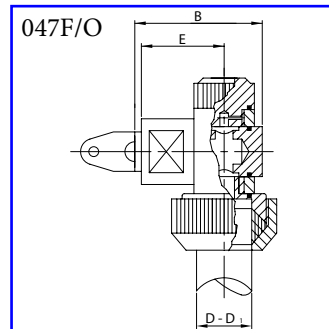


Upper level gauge
BSP



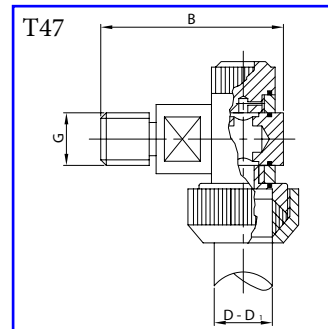
DN	B	D	D1	G	Kg
12	66,5	22,0	16,0	1/2"	0,275

Upper level gauge
flange



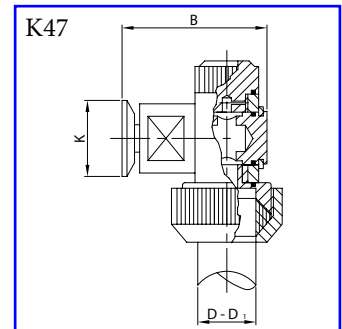
DN	B	D	D1	E	Kg
1/2"	51,5	22,0	16,0	30,0	0,34

Upper level gauge
NPT



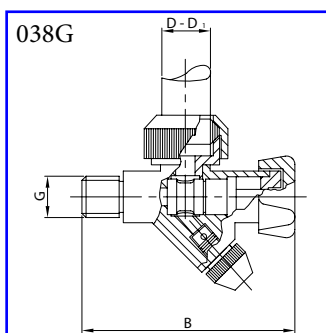
DN	B	D	D1	G	Kg
1 1/2"	38	66,5	16,0	22,0	3/8" 0,275

Upper level gauge
end ferrule CLAMP



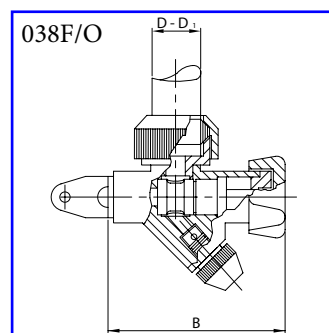
DN	B	D	D1	K	Kg
1"	25	56,5	16,0	22,0	50,5 0,3

Lower level gauge
BSP



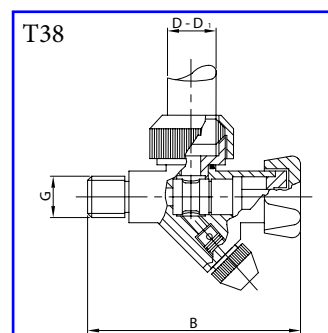
DN	B	D	D1	G	Kg
12	105,0	22,0	16,0	1/2"	0,515

Lower level gauge
flange



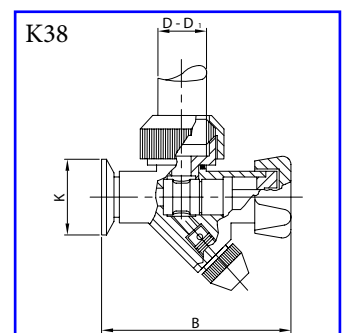
DN	B	D	D1	Kg
1/2"	91,0	22,0	16,0	0,520

Lower level gauge
NPT



DN	B	D	D1	G	Kg
1 1/2"	38	110,0	16,0	22,0	3/8" 0,515

Lower level gauge
end ferrule CLAMP

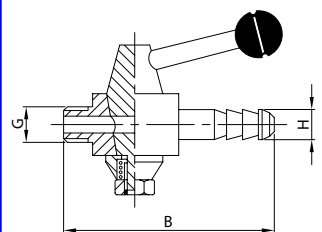


DN	B	D	D1	K	Kg
1"	25	99,0	16,0	22,0	50,5 0,53



Sampling plug hose connection

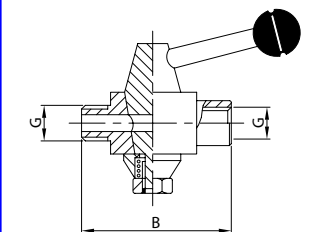
032G



DN	B	G	H	Kg
14	70,0	1/4"	12,0	0,17
38	83,0	3/8"	12,0	0,18
12	106,0	1/2"	15,0	0,32

Sampling plug thread MA./FE.

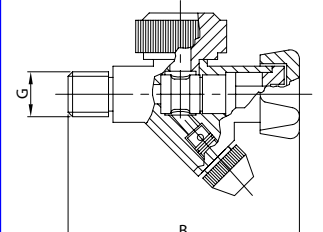
032GMF



DN	B	G	Kg
12	56,0	1/2"	0,34

Sampling plug

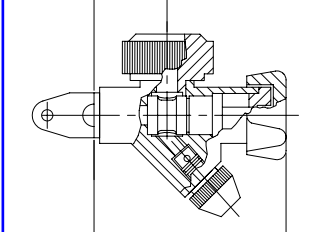
048G



DN	B	G	Kg
12	105,0	1/2"	0,49

Sampling plug

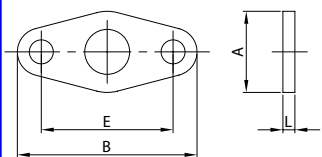
048F/O



DN	B	L	Kg
1/2"	91,0	30,0	0,46

Oval flange

F/O



DN	A	B	E	L	Kg
1/2"	30,0	60,0	43,0	6,0	0,02