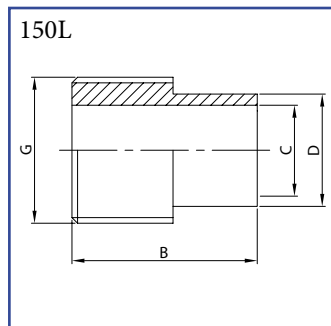
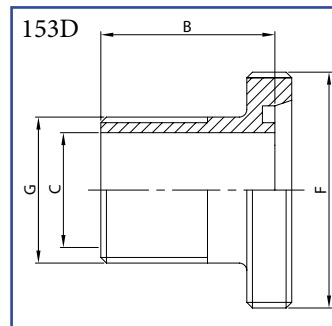


Adaptér
závit BSP / přivařovací DIN
AISI 304/L, AISI 316/L



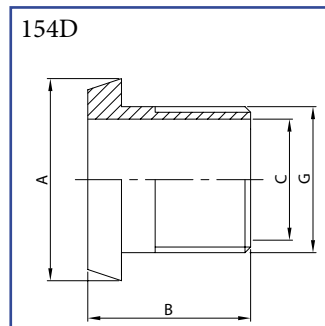
DN	B	C	D	G	Kg
28	30,0	25,0	28,0	1"	0,05
34	33,0	31,0	34,0	1 1/4"	0,08
40	38,0	37,0	40,0	1 1/2"	0,11
52	43,0	49,0	52,0	2"	0,20
70	50,0	66,0	70,0	2 1/2"	0,24
80	58,0	81,0	85,0	3"	0,32
100	75,0	100	104	4"	0,85

Adaptér
závit BSP / závit. hrdlo DIN
AISI 304/L, AISI 316/L



DN	B	C	F	G	Kg
25	43,0	25,0	52-6	1"	0,18
32	43,0	31,0	58-6	1 1/4"	0,25
40	43,0	37,0	65-6	1 1/2"	0,32
50	43,0	49,0	78-6	2"	0,48
65	44,0	66,0	95-6	2 1/2"	0,62
80	48,0	81,0	110-4	3"	0,92
100	46,0	97,6	130-4	4"	1,85

Adaptér
kužel. hrdlo DIN / závit BSP
AISI 304/L, AISI 316/L

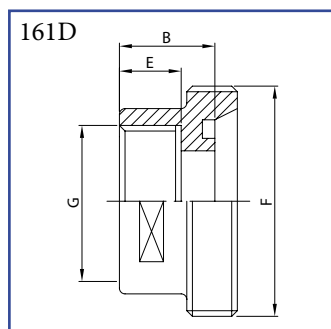


DN	A	B	C	G	Kg
25	44,0	43,0	25,0	1"	0,13
32	50,0	43,0	31,0	1 1/4"	0,19
40	56,0	43,0	37,0	1 1/2"	0,25
50	68,0	44,0	49,0	2"	0,40
65	86,0	46,0	66,0	2 1/2"	0,54
80	100,0	46,0	81,0	3"	0,70
100	121,0	50,0	97,6	4"	1,63



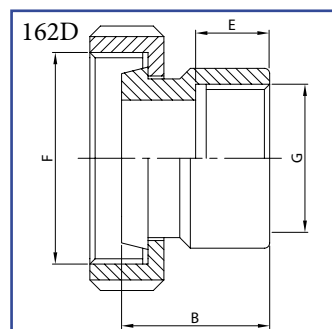
Jiné provedení na poptávku
materiál / rozměry ...

Adaptér
závit BSP / závit. hrdlo DIN
AISI 304/L, AISI 316/L



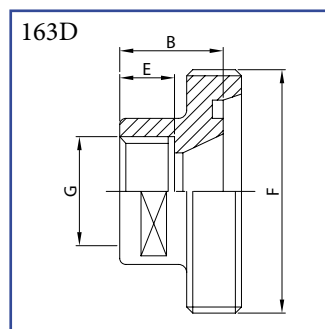
DN	B	E	F	G	Kg
25	24,0	17,0	52-6	1"	0,22
32	28,0	17,0	58-6	1 1/4"	0,27
40	28,0	22,0	65-6	1 1/2"	0,32
50	33,0	22,0	78-6	2"	0,40
65	34,0	24,0	95-6	2 1/2"	0,51
80	37,0	27,0	110-4	3"	0,74
100	42,0	32,0	130-4	4"	1,15

Adaptér
matice DIN / závit BSP
AISI 304/L, AISI 316/L



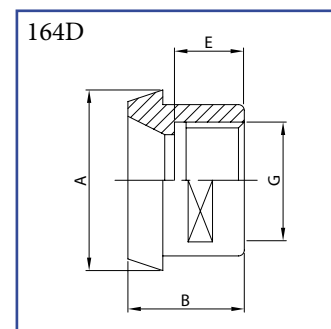
DN	B	E	F	G	Kg
25	32,0	17,0	52-6	1"	0,33
32	35,0	17,0	58-6	1 1/4"	0,41
40	37,0	22,0	65-6	1 1/2"	0,50
50	41,0	22,0	78-6	2"	0,85
65	46,0	24,0	95-6	2 1/2"	1,25
80	49,0	27,0	110-4	3"	1,64
100	60,0	32,0	130-4	4"	2,20

Adaptér
závit BSP / závit. hrdlo DIN
AISI 304/L, AISI 316/L



DN	B	E	F	G	Kg
25	24,0	17,0	52-6	3/4"	0,05
32	28,0	17,0	58-6	1"	0,07
40	28,0	22,0	65-6	1 1/4"	0,12
50	33,0	22,0	78-6	1 1/2"	0,14
65	34,0	24,0	95-6	2"	0,18
80	37,0	27,0	110-4	2 1/2"	0,22
100	42,0	32,0	130-4	3 1/2"	0,29

Adaptér
kužel. hrdlo DIN / závit BSP
AISI 304/L, AISI 316/L



DN	A	B	E	G	Kg
25	44,0	22,0	17,0	3/4"	0,10
32	50,0	25,0	17,0	1"	0,12
40	56,0	26,0	22,0	1 1/4"	0,15
50	68,0	28,0	22,0	1 1/2"	0,21
65	86,0	32,0	24,0	2"	0,31
80	100,0	37,0	27,0	2 1/2"	0,39
100	121,0	44,0	32,0	3 1/2"	0,79