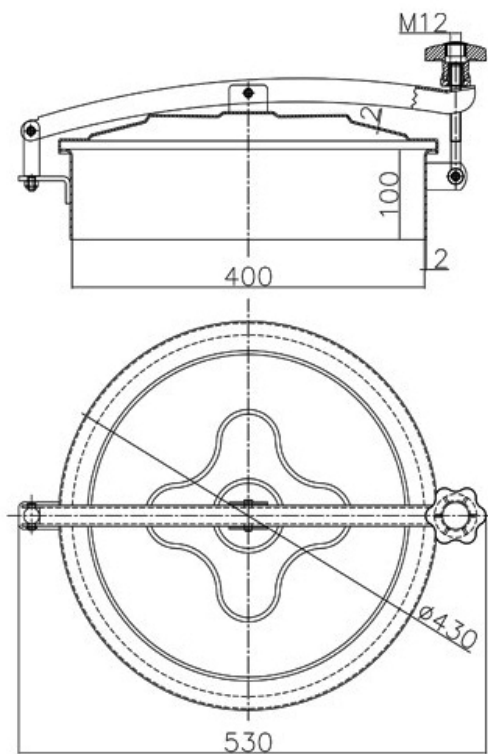


D22EO



Round hatch model:	D22EO – rotary opening
Dimension:	Ø 400 mm
Max. working pressure:	+0,01 bar
Standard handwheel:	VLT1207004
Opening:	outside
Material:	AISI 304 nebo AISI 316
Standard gasket:	natural rubber
Gasket on request:	EPDM, Silicone, NBR, VITON
Surface:	cover polished, frame 2B



Order code standard gasket	Mat.	Gasket
P2-D22EO-1.4301/P	304	PARA
P2-D22EO-1.4301/E	304	EPDM
P2-D22EO-1.4301/N	304	NBR
P2-D22EO-1.4301/S	304	Silicone
P2-D22EO-1.4301/V	304	VITON
P2-D22EO-1.4404/P	316	PARA
P2-D22EO-1.4404/E	316	EPDM
P2-D22EO-1.4404/N	316	NBR
P2-D22EO-1.4404/S	316	Silicone
P2-D22EO-1.4404/V	316	VITON

Frame (H) 100 x 2