

C4 type FLOAT LEVEL SWITCH

CHARACTERISTICS

The C4 float level switch is dedicated to tank liquid level control. A micro-switch is activated by 2 movable magnets. All the components that are in contact with the fluid are made of stainless steel. The C4 level switch permits the filling pumps startup command. This device has the VERITAS marine certification.



**BUREAU
VERITAS**



CONNECTION

On the tank side wall with square flanges; refer to the below dimensions.

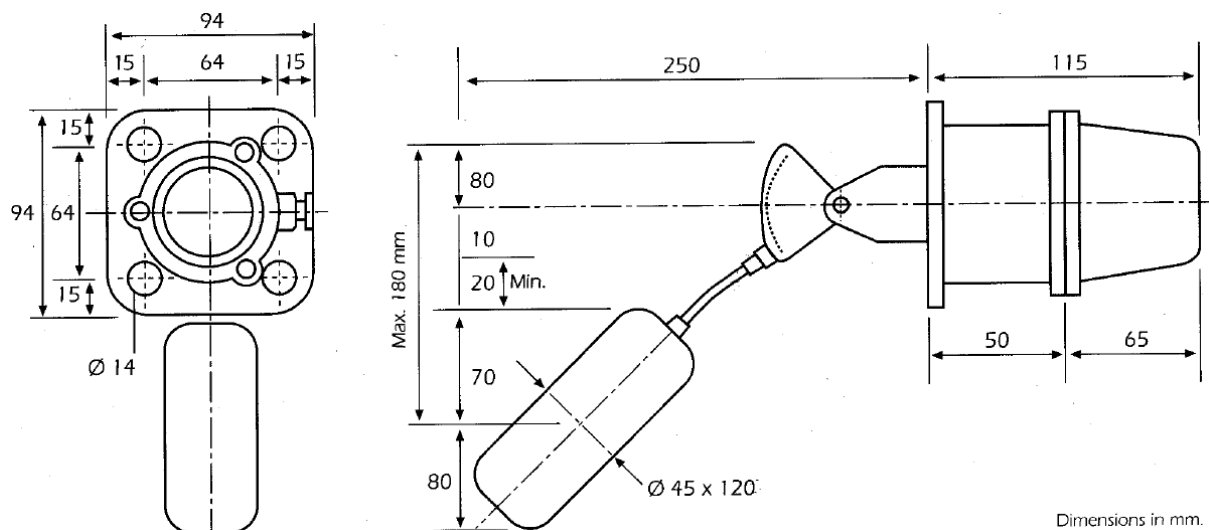
LIMITS OF USE

Max. allowable pressure (PS)	6 bar
Max. allowable temperature (TS)	135 °C
Protection	IP 68

CONSTRUCTION

Float	316 stainless steel
Flange	316 stainless steel
Cover	Aluminium
Micro-switch	16 A

DIMENSIONS



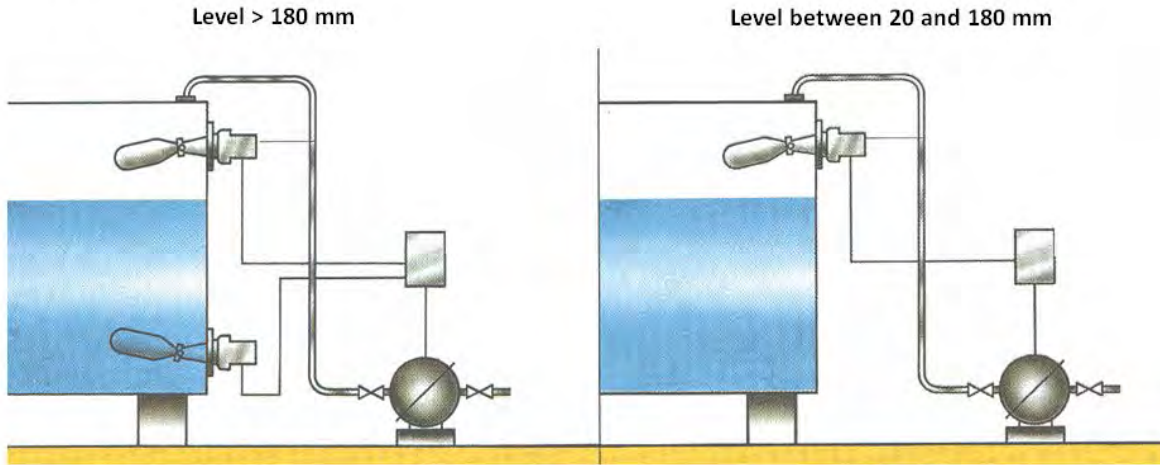
Dimensions in mm.

Technical data given for information purpose only. May be subject to alteration without prior notice

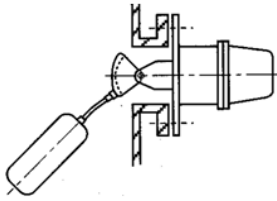
C4 type FLOAT LEVEL SWITCH

MOUNTING INSTRUCTIONS

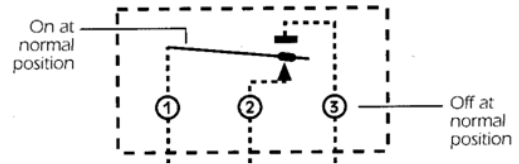
MOUNTING EXAMPLE



WIRING SCHEME



15 A — 125 - 480 VAC
0.5 A — 125 VDC



Technical data given for information purpose only. May be subject to alteration without prior notice