

STRAINER BASKETS FOR ISO PN10/16 FLANGES



Size : DN 50 to 300
Ends : For flanges ISO PN10/16
Min Temperature : - 20°C
Max Temperature : + 200°C
Max Pressure : 16 Bars
Specifications : Mesh 6 mm
With bolting

Materials : Steel or stainless steel

STRAINER BASKETS FOR ISO PN10/16 FLANGES

SPECIFICATIONS :

For flanges ISO PN10/16
Mesh 6 mm
With bolting

USE :

For water distribution and draining
Min Temperature Ts : - 20°C
Max Temperature Ts : + 200°C
Max Pressure Ps : 16 bars

RANGE :

Galvanized carbon steel strainer basket, for ISO PN10/16 flanges from DN50 to DN 300 **Ref. 367**
SS 304 strainer basket, for ISO PN10/16 flanges from DN50 to DN 300 **Ref. 376**

MATERIALS :

REF. 367



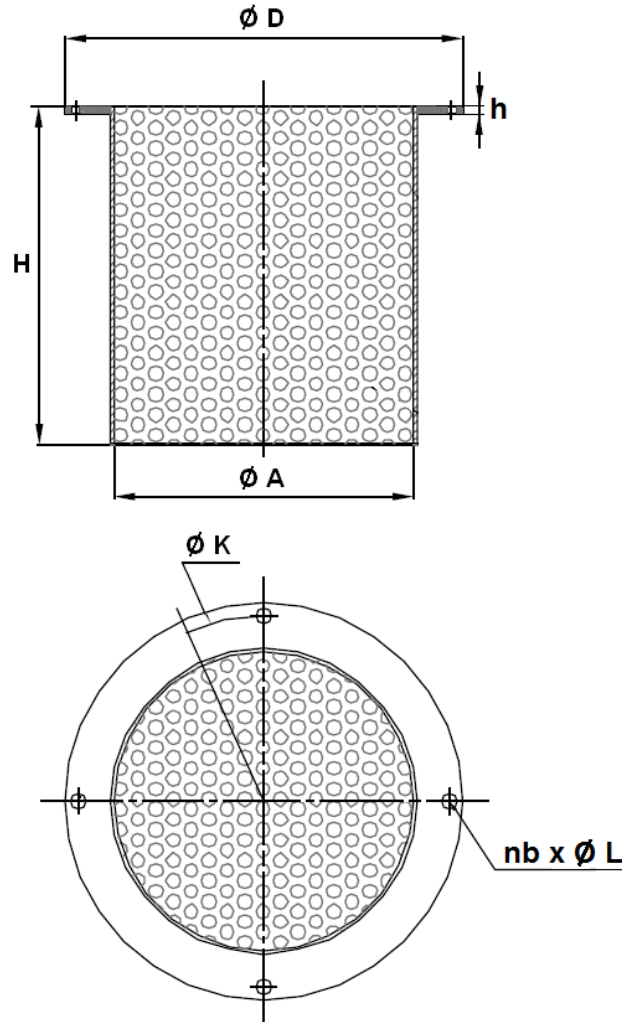
REF. 376



Designation	Materials Ref. 367	Materials Ref.376
Body	Galvanized carbon steel	SS 304

STRAINER BASKETS FOR ISO PN10/16 FLANGES

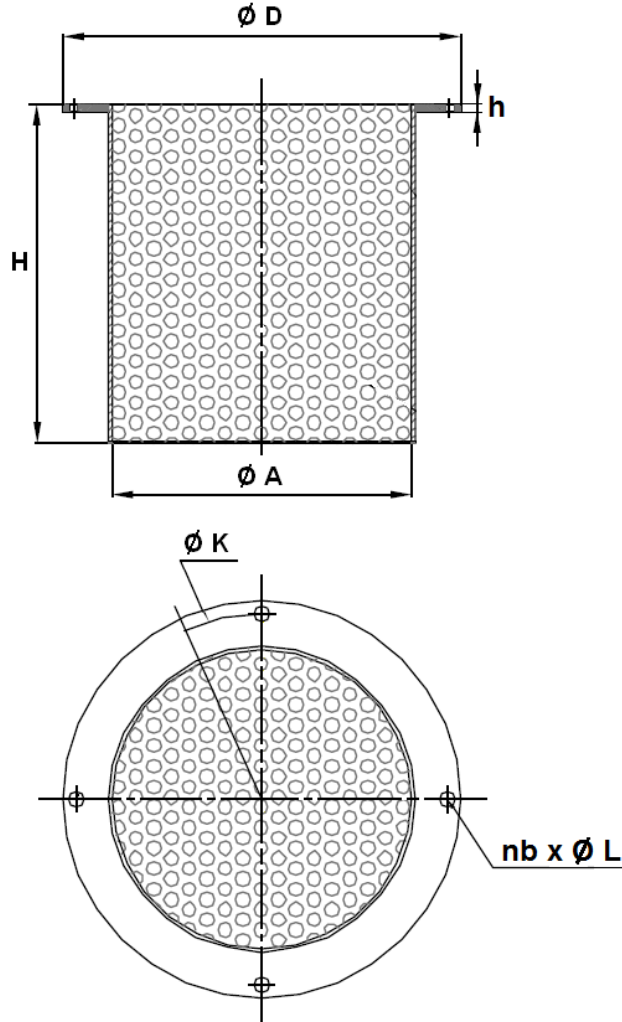
SIZE CARBON STEEL TYPE REF.367 (in mm):



Ref.	DN	50	65	80	100	125	150	200	250	300
367	H	77	110	125	155	170	220	300	390	410
	h	3	3	3	3	3	3	3	4	4
	$\varnothing A$	93	113	128	148	178	200	255	310	360
	$\varnothing D$	165	185	200	220	250	285	340	397	450
	$\varnothing K$	125	145	160	180	210	240	295	355	410
	Nb x $\varnothing L$	4 x 18	4 x 18	4 x 18	4 x 18	4 x 18	4 x 22	4 x 22	12 x 22	12 x 22
	Weight (Kg)	1	1.3	1.4	1.7	2	3	4.5	6	7
	Ref.	367050	367065	367080	367100	367125	367150	367200	367250	367300

STRAINER BASKETS FOR ISO PN10/16 FLANGES

SIZE STAINLESS STEEL TYPE REF.376 (in mm):



Ref.	DN	50	65	80	100	125	150	200	250	300
376	H	77	110	125	155	170	220	300	390	410
	h	3	3	3	3	3	3	3	4	4
	ϕA	93	113	128	148	178	200	255	310	360
	ϕD	165	185	200	220	250	285	340	397	450
	ϕK	125	145	160	180	210	240	295	355	410
	Nb x ϕL	4 x 18	4 x 18	4 x 18	4 x 18	4 x 18	4 x 22	4 x 22	12 x 22	12 x 22
	Weight (Kg)	1	1.3	1.4	1.7	2	3	4.5	6	7
	Ref.	376050	376065	376080	376100	376125	376150	376200	376250	376300

STRAINER BASKETS FOR ISO PN10/16 FLANGES

STANDARDS :

Fabrication according to ISO 9001: 2008

DIRECTIVE 97/23/CE : Products excluded from directive (article 1, § 3.2)

ADVICE : Our opinion and our advice are not guaranteed and SFERACO shall not be liable for the consequences of damages.
The customer must check the right choice of the products with the real service conditions.