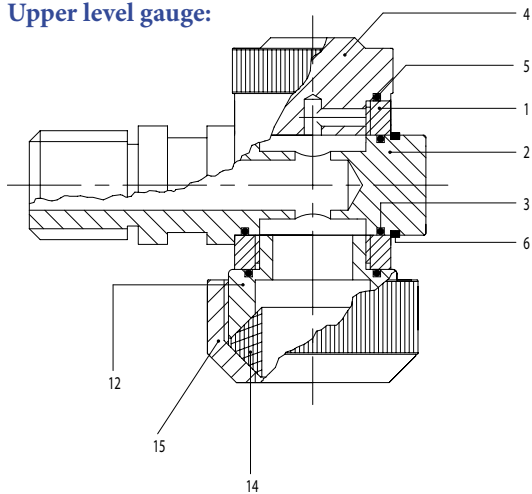
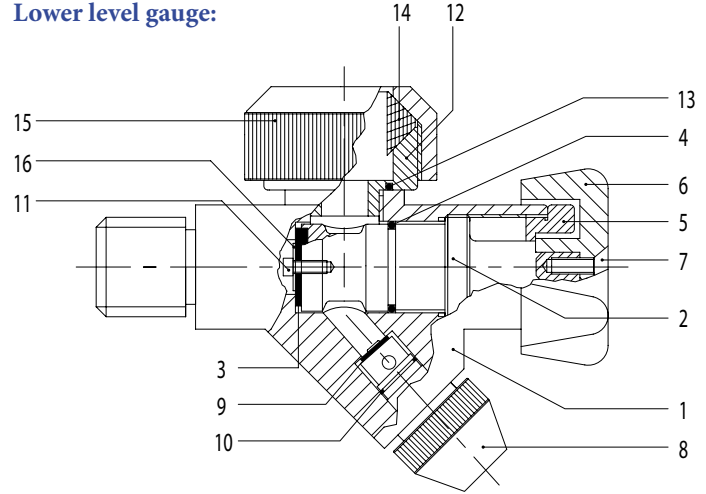




Upper level gauge:

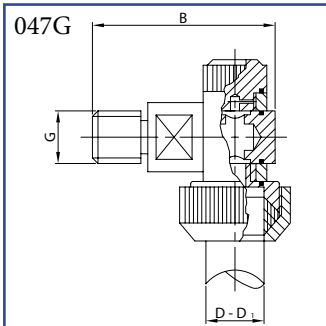


Lower level gauge:

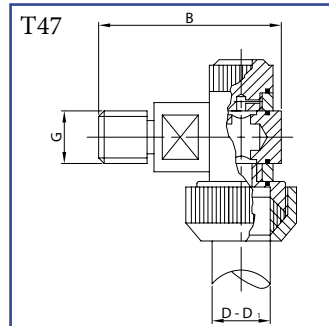


Pos.	Part	Code	Norm	1/2"	Material
1	Plug casing	047		12	316L
2	Plug	047	G	12	316L
3	OR seal ring	OR		2056	NBR
4	Air vent plug	038		12	316L
5	OR seal ring	OR		2068	NBR
6	Snap ring	SEE		A 18	304L
12	Glass holder	038		12	316L
14	Glass seal	038		12	S/V
15	Glass locking collar	038		12	A/4L

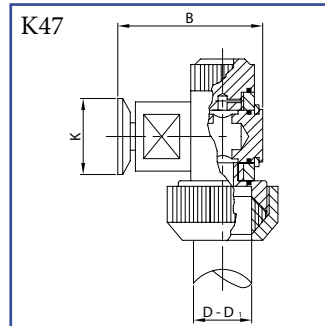
Pos.	Part	Code	Norm	1/2"	Material
1	Plug casing	038	G	12	316L
2	Plug	038		12	316L
3	Plug seal	038		12	EPDM
4	OR seal ring	OR		3050	NBR
5	Locking collar	038		12	A
6	Handle	038		12	A
7	Screw	TSV		M4x10	304L
8	Sampling nozzle	038		12	316L
9	Drain seal	038		12	EPDM
10	OR seal ring	OR		2043	NBR
11	Screw	TCCE		M3x6	304L
12	Glass holder	038		12	316L
13	OR seal ring	OR		2068	NBR
14	Glass seal	038		12	S/V
15	Glass locking collar	038		12	A/4L
16	Washer	RON		RP3	304L

Uppler level gauge
BSP


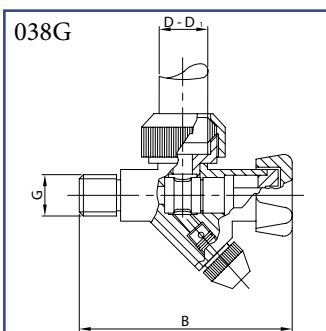
DN	B	D	D1	G	Kg
15	66,5	22,0	16,0	1/2"	0,28

 Uppler level gauge
NPT


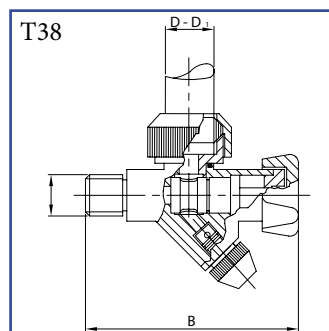
DN	B	D	D1	G	Kg
1 1/2"	38	66,5	16,0	22,0	3/8" 0,28

 Uppler level gauge
CLAMP


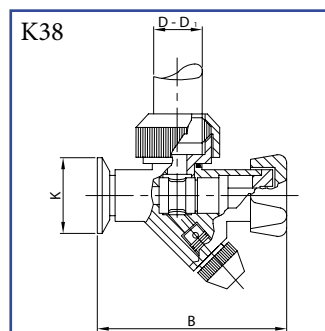
DN	B	D	D1	K	Kg
1"	25	56,5	16,0	22,0	50,5 0,30

 Lower level gauge
BSP


DN	B	D	D1	G	Kg
15	105,0	22,0	16,0	1/2"	0,52

 Lower level gauge
NPT


DN	B	D	D1	G	Kg
1 1/2"	38	110,0	16,0	22,0	3/8" 0,52

 Lower level gauge
CLAMP


DN	B	D	D1	K	Kg
1"	25	99,0	16,0	22,0	50,5 0,53