



- High strength construction.
- Pyrex glass. On request plexiglas external guard.
- Equipped with special tie rods and seals to prevent load pressures and vibrations on the glass.
- Standard finish: 120 grain external polishing and internal glazing. Other finishes on request.
- Maximum operating pressure: 10 bars.

Coding - sight glass:

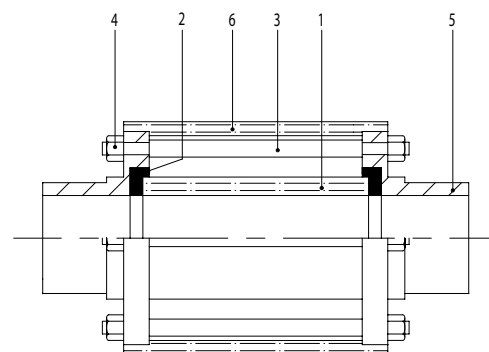
Pos.	cod.	Norm	1" 25	D25 28	D32 34	1 1/2" 38	D40 40	2" 51	D50 52	2 1/2" 63	D65 70	3" 76	D80 85	4" 101	D100 101	4" 104	D100 104	Mat.
1	450		25	28	34	38	40	51	52	63	70	76	85	101	101	104	104	P
2	450		25	28	34	38/40	38/40	51/52	51/52	63	70	76	85	101	101	104	104	S/E/V/T
3	450		25/104	25/104	25/104	25/104	25/104	25/104	25/104	25/104	25/104	25/104	25/104	25/104	25/104	25/104	25/104	4L
4	450		25/104	25/104	25/104	25/104	25/104	25/104	25/104	25/104	25/104	25/104	25/104	25/104	25/104	25/104	25/104	4L
5	450	L	25	28	34	38	40	51	52	63	70	76	85	101	101	104	104	4L/6L
6	450		25	28	34	38/40	38/40	51/52	51/52	63	70	76	85	101/104	101/104	101/104	101/104	PG

Pyrex glass: standard DIN

DN	Ø outside	Thickness	H
DN 25	32,0	2,3	90
DN 32	40,0	3,2	90
DN 40	45,0	5,0	90
DN 50	60,0	5,0	90
DN 65	75,0	5,0	90
DN 80	90,0	5,0	90
DN 100	115,0	6,0	90
DN 125	140,0	7,0	90

Gaskets: standard DIN

DN	Ø outside
DN 25	36,0
DN 32	44,0
DN 40	49,0
DN 50	64,0
DN 65	79,0
DN 80	94,0
DN 100	120,0
DN 125	144,0



Pyrex glass: standard SMS, CLAMP

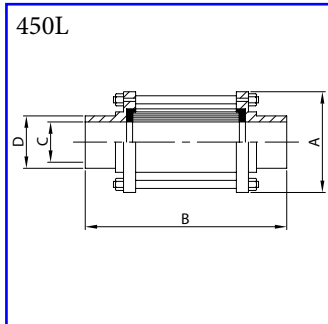
DN	Ø outside	Thickness	H
DN 25 1"	30,0	4,5	90
DN 38 1 1/2"	45,0	5,0	90
DN 51 2"	60,0	5,0	90
DN 63 2 1/2"	70,0	5,0	90
DN 76 3"	80,0	5,0	90
DN 101 4"	115,0	6,0	90

Gaskets: standard SMS, CLAMP

DN	Ø outside
DN 25 1"	34,0
DN 38 1 1/2"	49,0
DN 51 2"	64,0
DN 63 2 1/2"	74,0
DN 76 3"	84,0
DN 101 4"	120,0

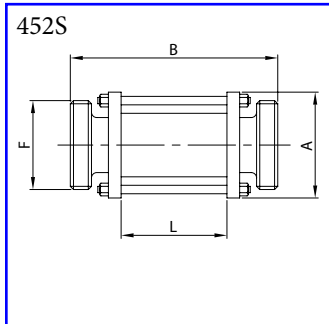
1. Pyrex pipe
2. Seal
3. Tie-rod
4. Self-locking nut
5. Flange
6. Guard

Sight glass
plain ends
AISI 304L, AISI 316L



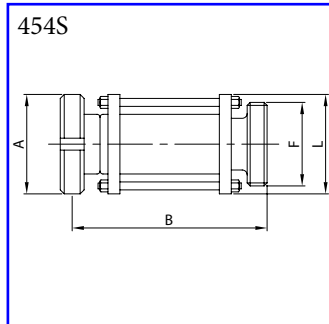
DN	A	B	C	D	Kg
25	55,0	147,0	22,4	25,4	0,40
38	70,0	153,0	35,1	38,1	0,62
51	85,0	153,0	47,8	50,8	0,86
63	95,0	163,0	60,5	63,5	0,95
76	105,0	173,0	72,9	76,2	1,10
101	140,0	173,0	97,6	101,6	2,76

Sight glass
male part / male part
AISI 304L, AISI 316L



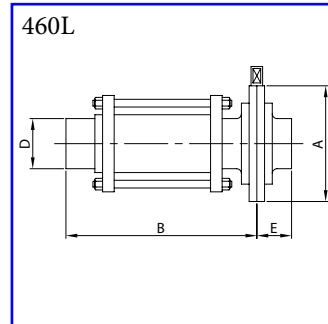
DN	A	B	F	L	Kg
25	55,0	165,0	40-6	83,0	0,55
38	70,0	165,0	60-6	83,0	0,94
51	85,0	165,0	70-6	83,0	1,27
63	95,0	165,0	85-6	83,0	1,40
76	105,0	165,0	98-6	83,0	1,71
101	140,0	183,0	132-6	83,0	3,76

Sight glass
liner with nut / male end
AISI 304L, AISI 316L



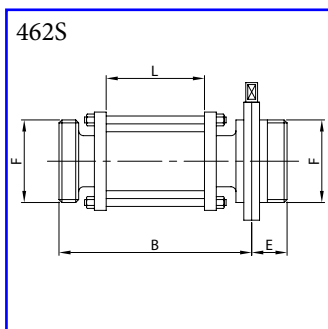
DN	A	B	F	L	Kg
25	51,0	156,0	40-6	55,0	0,63
38	74,0	159,0	60-6	70,0	1,17
51	84,0	159,0	70-6	85,0	1,50
63	100,0	164,0	85-6	95,0	1,84
76	114,0	169,0	98-6	105,0	2,36
101	150,0	178,0	132-6	140,0	4,98

Sight glass
male end / butterfly valve
AISI 304L, AISI 316L



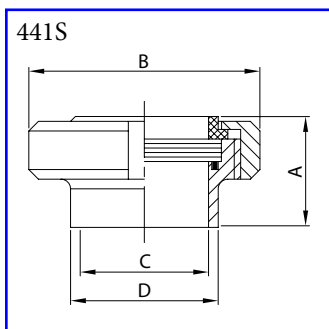
DN	A	B	D	E	Kg
25	79,0	153,0	25,4	34,0	0,76
38	85,0	156,0	38,1	38,0	1,02
51	105,0	156,0	50,8	40,0	1,50
63	112,0	162,0	63,5	40,0	1,68
76	125,0	167,0	76,2	41,0	1,98
101	157,0	167,0	101,6	44,0	4,18

Sight glass
male end / butterfly valve ME
AISI 304L, AISI 316L



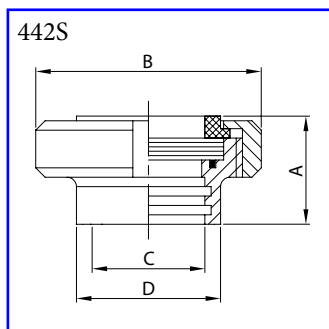
DN	B	E	F	L	Kg
25	162,0	34,0	40-6	83,0	0,99
38	162,0	38,0	60-6	83,0	1,62
51	162,0	40,0	70-6	83,0	2,12
63	163,0	40,0	85-6	83,0	2,45
76	163,0	41,0	98-6	83,0	3,09
101	172,0	44,0	132-6	83,0	5,73

Sight glass
welding end
AISI 304L, AISI 316L



DN	A	B	C	D	Kg
25	29,0	51,0	22,4	25,4	0,22
38	33,0	74,0	35,1	38,1	0,50
51	36,0	84,0	47,8	50,8	0,54
63	41,0	100,0	60,5	63,5	0,99
76	48,0	114,0	72,9	76,2	1,25
101	40,0	150,0	97,6	101,6	2,03

Sight glass
expanding end
AISI 304L, AISI 316L



DN	A	B	C	D	Kg
25	29,0	51,0	25,4	32,0	0,22
38	33,0	74,0	38,1	48,0	0,50
51	36,0	84,0	50,8	61,0	0,54
63	41,0	100,0	63,5	73,5	0,99
76	48,0	114,0	76,2	86,0	1,25
101	40,0	154,0	101,6	116,0	2,03