



- High strength construction.
- Pyrex glass. On request plexiglas external guard.
- Equipped with special tie rods and seals to prevent load pressures and vibrations on the glass.
- Standard finish: 120 grain external polishing and internal glazing. Other finishes on request.
- Maximum operating pressure: 10 bars.

Coding - sight glass:

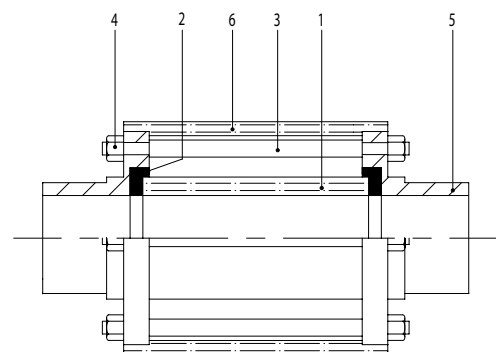
Pos.	cod.	Norm	1" 25	D25 28	D32 34	1 1/2" 38	D40 40	2" 51	D50 52	2 1/2" 63	D65 70	3" 76	D80 85	4" 101	D100 101	4" 104	D100 104	Mat.
1	450		25	28	34	38	40	51	52	63	70	76	85	101	101	104	104	P
2	450		25	28	34	38/40	38/40	51/52	51/52	63	70	76	85	101	101	104	104	S/E/V/T
3	450		25/104	25/104	25/104	25/104	25/104	25/104	25/104	25/104	25/104	25/104	25/104	25/104	25/104	25/104	25/104	4L
4	450		25/104	25/104	25/104	25/104	25/104	25/104	25/104	25/104	25/104	25/104	25/104	25/104	25/104	25/104	25/104	4L
5	450	L	25	28	34	38	40	51	52	63	70	76	85	101	101	104	104	4L/6L
6	450		25	28	34	38/40	38/40	51/52	51/52	63	70	76	85	101/104	101/104	101/104	101/104	PG

Pyrex glass: standard DIN

DN	Ø outside	Thickness	H
DN 25	32,0	2,3	90
DN 32	40,0	3,2	90
DN 40	45,0	5,0	90
DN 50	60,0	5,0	90
DN 65	75,0	5,0	90
DN 80	90,0	5,0	90
DN 100	115,0	6,0	90
DN 125	140,0	7,0	90

Gaskets: standard DIN

DN	Ø outside
DN 25	36,0
DN 32	44,0
DN 40	49,0
DN 50	64,0
DN 65	79,0
DN 80	94,0
DN 100	120,0
DN 125	144,0



Pyrex glass: standard SMS, CLAMP

DN	Ø outside	Thickness	H
DN 25 1"	30,0	4,5	90
DN 38 1 1/2"	45,0	5,0	90
DN 51 2"	60,0	5,0	90
DN 63 2 1/2"	70,0	5,0	90
DN 76 3"	80,0	5,0	90
DN 101 4"	115,0	6,0	90

Gaskets: standard SMS, CLAMP

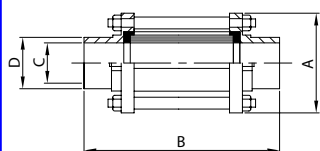
DN	Ø outside
DN 25 1"	34,0
DN 38 1 1/2"	49,0
DN 51 2"	64,0
DN 63 2 1/2"	74,0
DN 76 3"	84,0
DN 101 4"	120,0

1. Pyrex pipe
2. Seal
3. Tie-rod
4. Self-locking nut
5. Flange
6. Guard

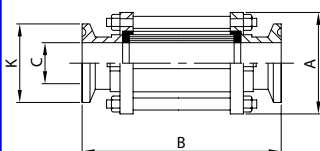
Sight glass
plain ends
AISI 304L, AISI 316L

Sight glass
end ferrule CLAMP
AISI 304L, AISI 316L

W45



K45



DN	A	B	C	D	Kg	
1"	25	55,0	147,0	22,1	25,4	0,40
1 1/2"	38	70,0	153,0	34,8	38,1	0,62
2"	51	85,0	153,0	47,5	50,8	0,86
2 1/2"	63	95,0	163,0	60,2	63,5	0,95
3"	76	105,0	173,0	72,9	76,2	1,10
4"	101	140,0	173,0	97,4	101,6	2,76

DN	A	B	C	K	Kg	
1"	25	55,0	165,0	22,1	50,5	0,56
1 1/2"	38	70,0	165,0	34,8	50,5	0,76
2"	51	85,0	165,0	47,5	64,0	1,05
2 1/2"	63	95,0	165,0	60,2	77,5	1,18
3"	76	105,0	165,0	72,9	91,0	1,40
4"	101	140,0	165,0	97,4	119,0	3,26