



Sightglass type: SSA

Screwed dairy sightglasses
similar to DIN 11851 type SSA



Screwed sightglass, DN 100 , PN 6,
type SSA 100

Application:

- Screwed dairy sightglasses of the series SSA are used for the visual control of processes inside vessels, storage tanks, mixers, reactors etc. They are preferably used in pharmaceutical, cosmetics and food processing industries (milk industry, breweries, pharmaceutical plants etc).
- They may be sterilised due to the high operating temperatures admitted.

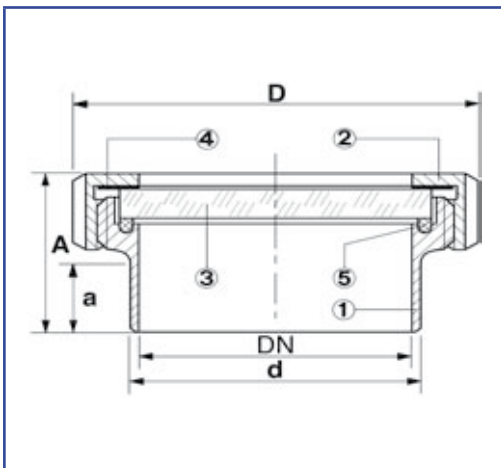
Construction and standard materials:

• Our delivery normally contains (standard version):

- | | |
|------------------------|-------------------------------------------|
| 1) Welding flange | AISI 316L (DIN 1.4404) |
| 2) Grooved collar nut | AISI 304 (DIN 1.4301) |
| | AISI 304L (DIN 1.4307) |
| 3) Glass disc | Sodium silicate to DIN 8902 (max. 150 °C) |
| | Borosilicate to DIN 7080 (max. 280 °C) |
| 4) Gasket | PTFE |
| 5) Gasket product side | Silicone |

• Special versions (on demand):

- Special steel qualities for 1) and 2)
- EPDM, PTFE, or Viton for 5)
- Aseptic design
- Gasket product side with certificate FDA
- Welding flange with thick wall to old DIN standards



Condition of service:

- Pressure: Max. 6 bar
- Vacuum
- Temperature: Depending on gasket quality
- Special conditions: On demand

The above indications are only valid for sightglasses without wipers of the series W / WD!

Certificates:

- Against extra charge, material certificates to EN 10204 3.1 / 3.1 AD-W2, as well as glass certificates to EN 10204 2.2 and FDA certificate for gasket may be supplied. Please formulate your needs already when demanding our quotation.

Type	DN	a	A	d	D
SSA 50	50	18	46	55	92
SSA 65	65	22	49	72	112
SSA 80	80	23	54	87	127
SSA 100	100	32	65	106	148
SSA 125	125	20	60	132	178
SSA 150	150	15	62	157	210

Possible combinations with light fittings:

- from DN 50: With light fittings EdelLUX®, series EdelEx
With light fittings miniLUX®, series KVL / KVLR / BKVLR
With fibre optic light fittings fibroLUX®
- from DN 65: With light fittings metaLUX®, series HLM / HLMR
With light fittings CHEMLUX®, series F(L)KEL / (L)KEL / KL
- from DN 80: With light fittings miniLUX®, series KLR
With light fittings CHEMLUX®, series PEL / PL

from DN 65: metaLUX® light fittings of the series HLM may be mounted together with wipers of the series W / WD.

1) All dimensions in mm

2) Subject to changes without preliminary notice