



Completely in stainless steel for use in hazardous areas.

Sightglass light fittings

type: EdelEx 5 dH

EdelEx 10 dH

EdelEx 20 dH



Sightglass light fitting type EdelEx 20 dH Sch K1, 20 W, 24 V, EEx d IIC T4, Ex II 2 G + D, mounted onto circular sightglass to DIN 28120, PN 10, DN 125.



Sightglass light fitting type EdelEx 10 dH R50 K1, 10 W, 230 V, EEx d IIC T4, Ex II 2 G + D, with intermediate flange collar fixation "R", mounted onto a screwed sightglass similar to DIN 11851, PN 6, DN 50.

Stainless steel series EdelEx offers to the fabricators and users of all stainless steel process equipment the following important advantages:

For the purchasing department:

- **Highly competitive prices** due to compact value-engineered design and highly efficient manufacturing techniques
- **Short lead times**

For the design or plant engineer:

- Versatile design enabling the light fittings to be used either as a combination "view **and** light through **one** assembly", or for separate mounting in a two port system from DN 25 upwards depending on the type of sightglass
- **Easy installation** with two fixing systems (flange collar "R" or tilting hinge "Sch" / "Sch 1"), meeting all applications on:
 - Circular sightglasses to DIN 28120 / 28121 or similar
 - Screwed sightglasses similar to DIN 11851
 - Pipeline flow indicators for pipelines

- Certified to ATEX in the groups G (zones 1 and 2) and D (zones 21 and 22)
- **Brilliant illumination** due to specially designed high efficiency reflector and wattages up to 20 W! (see overleaf)
- Light units may be **installed without restriction in any position**
- **Particularly designed for the powerful lighting out of stainless steel vessels**, reactors, mixers, fermentors, containers and related process equipment in **hazardous areas** in the pharmaceutical, bio-chemical, chemical, cosmetic and food processing industries
- For sterile and "clean rooms" applications
- Certified in accordance with the harmonized European standards (EN)
- Connection to different supply voltages (see overleaf)

For the maintenance electrician:

- **Easy replacement** of bulbs
- Halogen bulbs are **industry standards available** from local suppliers

Operating conditions:

- Completely **independent** of internal vessel pressure and vacuum. There is **no restriction** on the mounting position of the light fitting.

Electrical data:

- Supply: AC or DC, depending on the type of light fitting (Note: With integrated transformer AC **only**).
- Terminal voltages: (See overleaf)
- Enclosure protection degree: IP 65, dust and spray water tight.

Construction and materials:

- Housing and fixation elements **in stainless steel**. Cable gland M16, in vertical position, type designation "K1", (standard delivery) or in horizontal position (designation "K2"). Connection terminals up to 2,5 mm². Additional earth terminal 4 mm² external to the housing. Built-in reflector and halogen bulb, according to your needs to produce a wide ("flood" version) or concentrated ("spot" version) beam of light. Standard version: "Spot".



Type designation	EdelEx 5 dH	EdelEx 10 dH	EdelEx 20 dH
Nominal rating (W)	5	10	20
Terminal voltage (V) with integrated transformer	24, 36 42, 115 230, 240	24, 36 42, 115 230, 240	
Terminal voltage (V) without transformer (AC/DC)	12	12	12, 24
Bulb	Halogen	Halogen	Halogen
Socket	G4	G4	G4
Weight* (kg)	1,9	1,9	1,65
Ignition protection type to DIN EN 50014 / 50018	EEx d	EEx d	EEx d
Explosion group	IIC	IIC	IIC
Temperature class	T6	T4	T4
ATEX Ex II 2 G+D	T 80 °C	T 130 °C	T 130 °C

* The indicated weight only refers to the light fitting.
Weight of the fixations: "Sch / Sch 1": 0,06 kg, "R": 0,08 kg

Mounting:

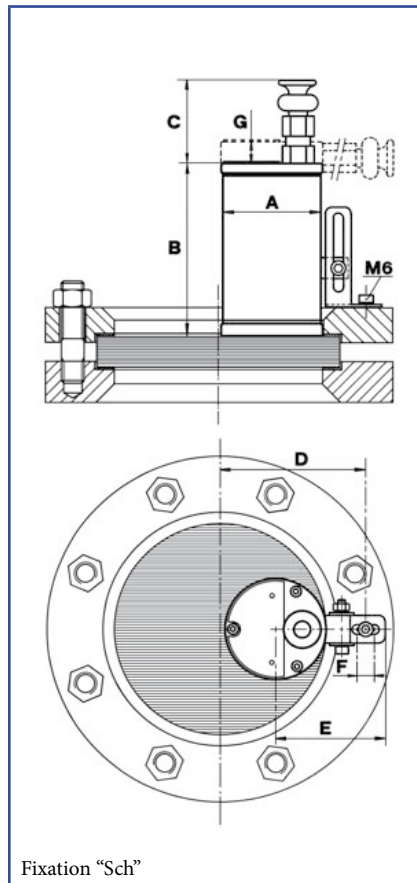
On circular sightglasses to or similar to DIN 28120/28121:
DN 25 – DN 200: With tilting hinge "Sch"

On screwed sightglasses similar to DIN 11851:
DN 50 - DN 65: With intermediate flange collar "R" in AISI 304 (DN size should be specified on ordering)

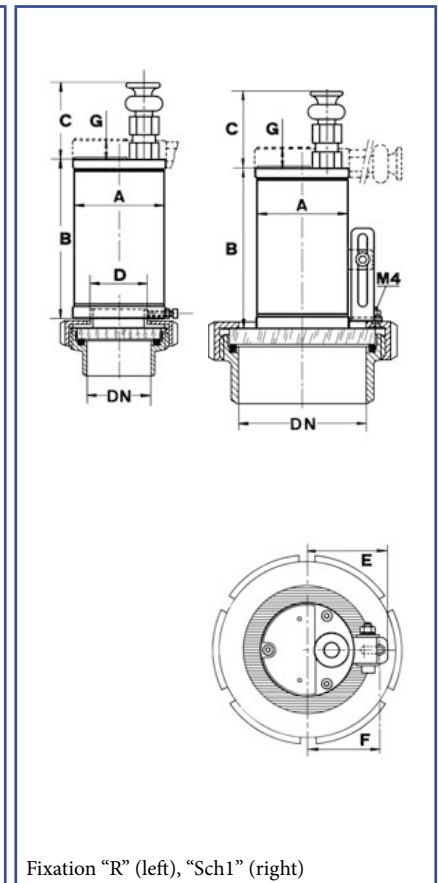
from DN 80: With tilting hinge "Sch 1" onto the grooved collar nut

On pipeline flow indicators:

With tilting hinge "Sch 1" or specific customer adaptation



Fixation "Sch"



Fixation "R" (left), "Sch1" (right)

Sightglasses to DIN 28120:

DN	A	B	C	D	E	F	G
50	77	128	63	67	81	12	13
80	77	128	63	77	81	12	13
100	77	128	63	90	81	12	13
125	77	128	63	102	81	12	13
150	77	128	63	115	81	12	13
200	77	128	63	140	81	12	13

Sightglasses similar to DIN 11851:

DN	A	B	C	D	E	F	G
50	77	128	63	44	59	-	13
65	77	128	63	44	59	-	13
80	77	128	63	-	59	47	13
100	77	128	63	-	59	57	13
125	77	128	63	-	59	69	13
150	77	128	63	-	59	82	13

Do you wish for more information about our wide range of light fittings for use in hazardous or safe areas, about our range of circular sightglasses to DIN 28120/28121, screwed sightglasses similar to DIN 11851, rectangular or D-ended sightglasses, pipeline flow indicators, sideways or centrally operated wipers, hinged sightglasses, spraying devices or our complete sight and lightglass units VETROLUX®? Are you interested in other types, special versions or different protection degrees? If yes, please contact us – it is our business! You will find the necessary indications about our company on the Internet.

1) All dimensions in mm.

2) Subject to changes without preliminary notice.