

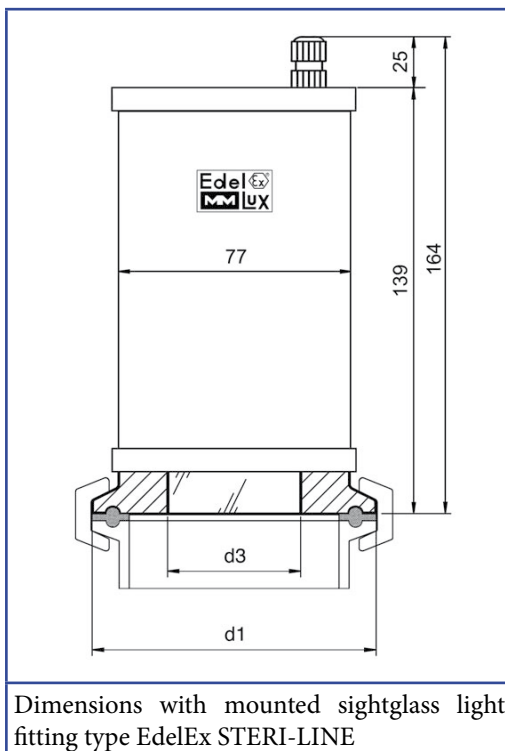


Sightglass light fittings type: EdelEx 5dH/10dH/20dH for Triclamp fittings

Sightglass light fittings from st. steel
for use in hazardous areas



Sightglass light fitting, type EdelEx STERI-LINE
20 dH, 24 V, 20 W, EEx d IIC T4, Ex II 2 G + D,
on metal fused sightglass, DN 100



1) All dimensions in mm.
2) Subject to changes without preliminary notice.

Application:

- On metal fused sightglasses for Triclamp fittings to DIN 32676 / ISO 2852 for the optimal illumination of small and pilot reactors as well as vessels for sterile and aseptic applications, mainly in the pharmaceutical, biotechnological, cosmetic and food processing industries.
- On demand also available for mounting on metal fused sightglasses for Triclamp fittings in aseptic version to DIN 11864-3.

Advantages:

- Brilliant and glare free illumination
- Extremely small dimensions
- For sterile applications
- High security
- Easy installation

Light fitting series EdelEx STERI-LINE (for use in hazardous areas):

- Supply: AC or DC (with integrated transformer AC only)
24,36,42,115,230,240 V with integrated transformer (5, 10 W)
12, 24 V without integrated transformer (20 W)
- Power: 5, 10, 20 W
- Housing: Stainless steel
- Protection mode: IP 65, dust and spray water tight
to EN 60529 / DIN VDE 0470 part 1
- Ignition protection type: EEx d
- Explosion group: IIC
- Temperature classes: T4 (10 and 20 W), T6 (5 W)
- ATEX: Ex II 2 G + D, T 130 °C (T 80 °C in version T6)

For more technical details see data sheet EdelEx 5 dH / 10 dH / 20 dH

Metal fused sightglass:

- A3 Standard for food processing

Technical data:

- Test base: DGRL 97 / 23 / EG, AD 2000 standards, DIN 7079-1 May 1999
- Materials to VdTÜV specifications and the respective DIN/EN standards
- Glass quality: Borosilicate glass to DIN 7080

Material certificates:

- Certificate of conformity to EN 10204-3.1

Operating conditions:

- Pressure: -1 to 6 / 10 / 16 bar (see table)
- Temperatures:
Ring materials: 1.4462 -30 °C to +280 °C
2.4602 -60 °C to +300 °C
2.4610 -60 °C to +300 °C

Dimensions:

Nominal diameter (DN)		d1	d3	Max. operating pressure (bar)
(mm)	(inch)			
25/32/40	1", 1½"	50,5	25	16
50	2"	64	30	16
65	3"	91	38	10
100	4"	119	38	10