

# Manholes II.

Model	Page	OVAL - Dimensions (mm)							
		440 x 310	440 x 340	445 x 340	450 x 360	480 x 370	480 x 380	520 x 420	560 x 450
		Max working pressure (bar)							
A1	2			3,8					
A1E	2			3,8					
A2	3		3,2						
A2E	3		3,2						
A3	4	3,2							
A3E	4	3,2							
A4	5		3,2						
A4E	5		3,2						
A5	6	3,2							
A5E	6	3,2							
A6	7	3,0							
A7	7	3,0							
A8	8	3,0							
A9	8	3,0							
A10	9	3,0							
A11 (PED)	10					4 / 9 / 15			
A12 (PED)	10					4 / 9 / 15			
A13	11	-1,0/+0,7							
A15	11							8,0	
A16	12							8,0	
A17 (PED)	12		8,0						
A18 (PED)	13		8,0						
A21	13							6,0	
A25	14						-1,0/+0,5		
A26	14							3,0	
A27	15							3,0	
A28	15				-1,0/+1,0				
A29	16								4,0
A30	16		3,0						
A31 (PED)	17							6,0	

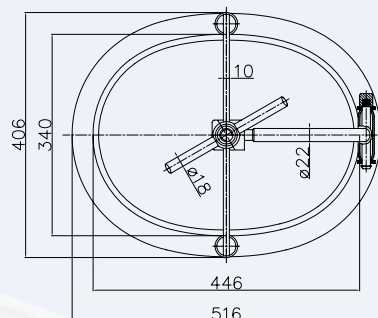
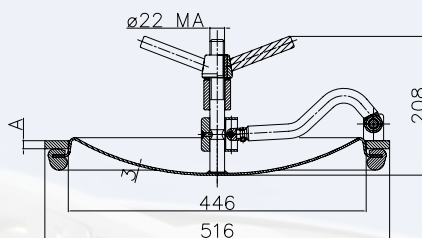
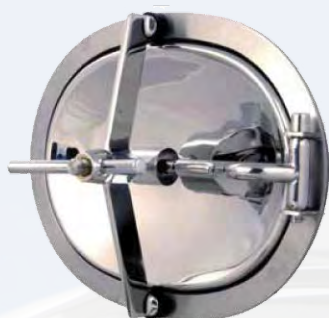
Model	Page	RECTANGULAR - Dimensions (mm)						
		295 x 115	420 x 310	500 x 310	530 x 410	600 x 600	740 x 450	750 x 750
		Max working pressure (bar)						
B1	18						-1,0/+1,0	
B1	18						-1,0/+1,0	
B1	19							-1,0/+1,0
B2	19				-1,0/+1,2			
B2E	20				-1,0/+1,0			
B3	20			-1,0/+1,3				
B4	21		-1,0/+1,6					
B4E	21		-1,0/+1,4					
B5	22		-1,0/+0,7					
B5E	22		-1,0/+0,6					
B6	23				-1,0/+1,1			
B6E	23				-1,0/+1,0			
B7	24		-1,0/+0,6					
B7E	24		-1,0/+0,5					
B12	25				+2,2			
B13	25			+2,0				
B14	26		+2,0					
B23	26				-1,0/+0,6			
B24	27				-1,0/+0,4			
D27	27	+0,02						
D33	28						-0,1	

Model	Page	ROUND - Dimensions (diameter in mm)								
		150	200	250	300	360	385	400-420	450-460	500
Max working pressure (bar)										
C1	29							-1,0/+0,8		
C2	29							-1,0/+3,5		
C3	30				-1,0/+1,3	-1,0/+1,3		-1,0/+1,3		-1,0/+0,7
C4	30							-1,0/+0,9		
C5	31				-1,0/+0,7			-1,0/+0,7		
D1	31									-1,0/+0,4
D2	32	-1,0/+15,0	-1,0/+15,0	-1,0/+15,0	-1,0/+1,0			-1,0/+1,0	-1,0/+1,0	-1,0/+1,0
D3	33				-1,0/+6,0			-1,0/+6,0	-1,0/+6,0	-1,0/+6,0
D4	34							-1,0/+0,6		
D5	34							+0,002		
D6	35							-0,5/+0,3	-0,5/+0,3	-0,5/+0,3
D7	35						+0,02	+0,02	+0,02	+0,02
D8	36		-0,5/+0,2		-0,5/+0,2			-0,5/+0,2	-0,5/+0,2	-0,5/+0,2
D9	37	+0,02	+0,02	+0,02	+0,02	+0,02	+0,02	+0,02	+0,02	+0,02
D10	38	+0,2	+0,2	+0,2	+0,2	+0,2	+0,2	+0,2	+0,2	+0,2
D11	39	X	X	X	X	X	X	X	X	X
D12	40	-0,5/+0,2	-0,5/+0,2	-0,5/+0,2	-0,5/+0,2	-0,5/+0,2	-0,5/+0,2	-0,5/+0,2	-0,5/+0,2	-0,5/+0,2
D13 (PED)	41				+10,5			+10,0	+8,0	+7,5
D14	42									-0,8/+0,3
D15	43							-0,5/+0,3	-0,5/+0,1	-0,5/+0,1
D20	44		-0,5/+0,2		-0,5/+0,2			-0,5/+0,2	-0,5/+0,2	-0,5/+0,2
D22	45		+0,1		+0,1			+0,1	+0,1	+0,1
D22E	46		-0,1/+0,1		-0,3/+0,1			-0,3/+0,1	-0,3/+0,1	-0,3/+0,1
D25 (PED)	47				-1,0/+1,0			-1,0/+1,0	-1,0/+1,0	-1,0/+1,0
D26	48		X	X	-1,0/+3,0			-1,0/+3,0	-1,0/+3,0	-1,0/+3,0
D28	49									
D32	49							-1,0/+4,0	-1,0/+4,0	-1,0/+3,0

Model	Page	ROUND - Dimensions (diameter in mm)								
		600	700	800	900	1000	1200	1400	1500	1600
Max working pressure (bar)										
C1	29									
C2	29									
C3	30									
C4	30									
C5	31									
D1	31									
D2	32	-1,0/+1,0	-1,0/+1,0	-1,0/+1,0						
D3	33	-1,0/+4,0	-1,0/+2,0	-1,0/+2,0						
D4	34									
D5	34									
D6	35									
D7	35	+0,02								
D8	36	-0,5/+0,2								
D9	37	+0,02								
D10	38	+0,2								
D11	39	X								
D12	40	-0,5/+0,2								
D13 (PED)	41	+5,5	+4,0							
D14	42	-0,8/+0,3	-0,8/+0,3	-0,8/+0,3	-0,8/+0,3	-0,8/+0,3	-0,8/+0,3	-0,8/+0,3	-0,8/+0,3	-0,8/+0,3
D15	43	-0,5/+0,1	-0,5/+0,1	-0,5/+0,1						
D20	44	-0,5/+0,2	-0,5/+0,2	-0,5/+0,2	-0,5/+0,2	-0,5/+0,2	-0,5/+0,2	-0,5/+0,2	-0,5/+0,2	-0,5/+0,2
D22	45	+0,1								
D22E	46	-0,3/+0,1								
D25 (PED)	47	-1,0/+1,0	-1,0/+1,0							
D26	48	-1,0/+2,0								
D28	49		+1,0	+1,0	+1,0	+1,0				
D32	49	-1,0/+2,0								

X ... model available without specification of working pressure (see leaflet)

# A1



**Oval shaped manhole door type “fruit juice”:** A1  
**Dimensions:** 445 x 340 mm  
**Max. working pressure:** 3,8 bar  
**Standard handle:** VLT22RZ201L  
**Minimal diameter of the tank:** Ø 1600 mm  
**Material:** AISI 304 or AISI 316L  
**Standard gasket:** natural rubber (PARA)  
**Gasket on request:** EPDM, Silicone, NBR, VITON  
**Surface:** polished cover, satin frame  
**Opening inward** (option that the cover comes out)

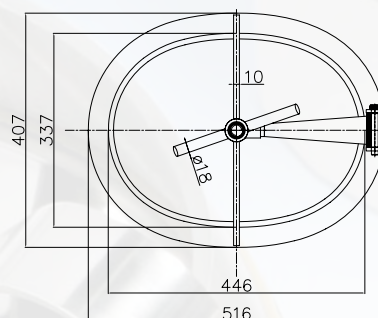
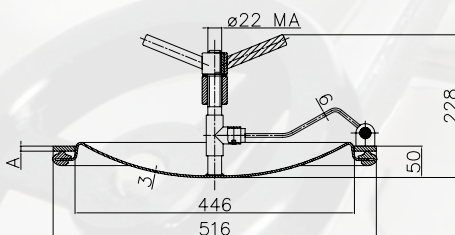
Code	Mat.	Gasket
P2-A1-08-1.4301/P	304	PARA
P2-A1-08-1.4301/E	304	EPDM
P2-A1-08-1.4301/N	304	NBR
P2-A1-08-1.4301/S	304	Silicone
P2-A1-08-1.4301/V	304	VITON
P2-A1-08-1.4404/P	316L	PARA
P2-A1-08-1.4404/E	316L	EPDM
P2-A1-08-1.4404/N	316L	NBR
P2-A1-08-1.4404/S	316L	Silicone
P2-A1-08-1.4404/V	316L	VITON

Frame (A) = 35 x 8 mm  
**Weight 12,6 kg**

Code	Mat.	Gasket
P2-A1-12-1.4301/P	304	PARA
P2-A1-12-1.4301/E	304	EPDM
P2-A1-12-1.4301/N	304	NBR
P2-A1-12-1.4301/S	304	Silicone
P2-A1-12-1.4301/V	304	VITON
P2-A1-12-1.4404/P	316L	PARA
P2-A1-12-1.4404/E	316L	EPDM
P2-A1-12-1.4404/N	316L	NBR
P2-A1-12-1.4404/S	316L	Silicone
P2-A1-12-1.4404/V	316L	VITON

Frame (A) = 35 x 12 mm  
**Weight 14,3 kg**

# A1E (economical)



**Oval shaped manhole door “fruit juice”:** A1E  
**Dimensions:** 445 x 340 mm  
**Max. working pressure:** 3,8 bar  
**Standard handle:** VLT22RZ203S  
**Minimal diameter of the tank:** Ø 1600 mm  
**Material:** AISI 304 or AISI 316L  
**Standard gasket:** natural rubber (PARA)  
**Gasket on request:** EPDM, Silicone, NBR, VITON  
**Surface:** polished cover, satin frame  
**Opening inward** (option that the cover comes out)

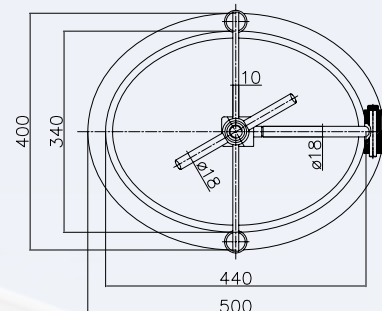
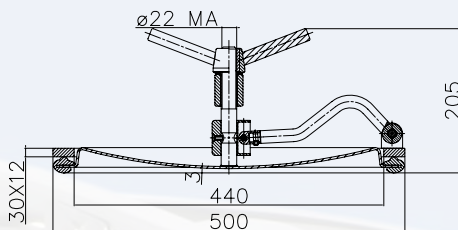
Code	Mat.	Gasket
P2-A1E-08-1.4301/P	304	PARA
P2-A1E-08-1.4301/E	304	EPDM
P2-A1E-08-1.4301/N	304	NBR
P2-A1E-08-1.4301/S	304	Silicone
P2-A1E-08-1.4301/V	304	VITON
P2-A1E-08-1.4404/P	316L	PARA
P2-A1E-08-1.4404/E	316L	EPDM
P2-A1E-08-1.4404/N	316L	NBR
P2-A1E-08-1.4404/S	316L	Silicone
P2-A1E-08-1.4404/V	316L	VITON

Frame (A) = 35 x 8 mm  
**Weight 11,2 kg**

Code	Mat.	Gasket
P2-A1E-12-1.4301/P	304	PARA
P2-A1E-12-1.4301/E	304	EPDM
P2-A1E-12-1.4301/N	304	NBR
P2-A1E-12-1.4301/S	304	Silicone
P2-A1E-12-1.4301/V	304	VITON
P2-A1E-12-1.4404/P	316L	PARA
P2-A1E-12-1.4404/E	316L	EPDM
P2-A1E-12-1.4404/N	316L	NBR
P2-A1E-12-1.4404/S	316L	Silicone
P2-A1E-12-1.4404/V	316L	VITON

Frame (A) = 35 x 12 mm  
**Weight 12,7 kg**

# A2

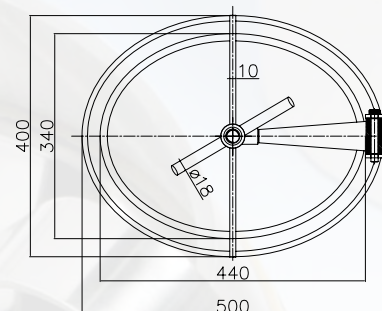
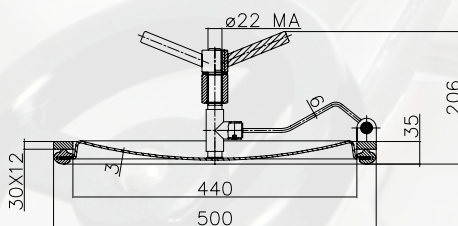


**Oval shaped manhole door type “fruit juice”:** A2  
**Dimensions:** 440 x 340 mm  
**Max. working pressure:** 3,2 bar  
**Standard handle:** VLT22RZ201L  
**Minimal diameter of the tank:** Ø 1800 mm  
**Material:** AISI 304 or AISI 316L  
**Standard gasket:** natural rubber (PARA)  
**Gasket on request:** EPDM, Silicone, NBR, VITON  
**Surface:** polished cover, satin frame  
**Opening inward** (option that the cover comes out)

Code	Mat.	Gasket
P2-A2-1.4301/P	304	PARA
P2-A2-1.4301/E	304	EPDM
P2-A2-1.4301/N	304	NBR
P2-A2-1.4301/S	304	Silicone
P2-A2-1.4301/V	304	VITON
P2-A2-1.4404/P	316L	PARA
P2-A2-1.4404/E	316L	EPDM
P2-A2-1.4404/N	316L	NBR
P2-A2-1.4404/S	316L	Silicone
P2-A2-1.4404/V	316L	VITON

**Weight 11,5 kg**

# A2E (economical)

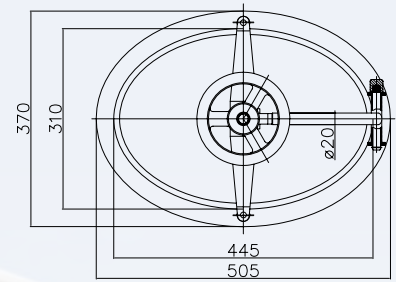
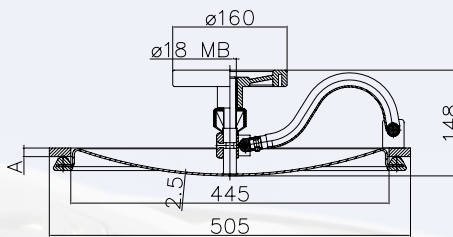


**Oval shaped manhole door “fruit juice”:** A2E  
**Dimensions:** 440 x 340 mm  
**Max. working pressure:** 3,2 bar  
**Standard handle:** VLT22RZ203S  
**Minimal diameter of the tank:** Ø 1800 mm  
**Material:** AISI 304 or AISI 316L  
**Standard gasket:** natural rubber (PARA)  
**Gasket on request:** EPDM, Silicone, NBR, VITON  
**Surface:** polished cover, satin frame  
**Opening inward** (option that the cover comes out)

Code	Mat.	Gasket
P2-A2E-1.4301/P	304	PARA
P2-A2E-1.4301/E	304	EPDM
P2-A2E-1.4301/N	304	NBR
P2-A2E-1.4301/S	304	Silicone
P2-A2E-1.4301/V	304	VITON
P2-A2E-1.4404/P	316L	PARA
P2-A2E-1.4404/E	316L	EPDM
P2-A2E-1.4404/N	316L	NBR
P2-A2E-1.4404/S	316L	Silicone
P2-A2E-1.4404/V	316L	VITON

**Weight 10,4 kg**

# A3



**Oval shaped manhole door type “fruit juice”:** A3  
**Dimensions:** 440 x 310 mm  
**Max. working pressure:** 3,2 bar  
**Standard handle:** VLT1816004  
**Minimal diameter of the tank:** Ø 1300 mm  
**Material:** AISI 304 or AISI 316L  
**Standard gasket:** natural rubber (PARA)  
**Gasket on request:** EPDM, Silicone, NBR, VITON  
**Surface:** polished cover, satin frame  
**Opening inward** (option that the cover comes out)

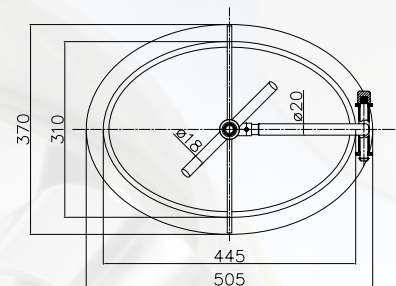
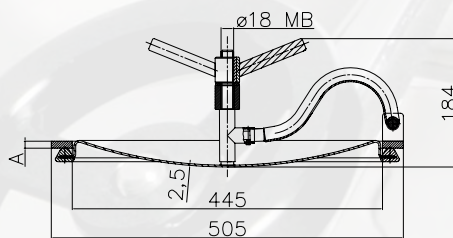
Code	Mat.	Gasket
P2-A3-10-1.4301/P	304	PARA
P2-A3-10-1.4301/E	304	EPDM
P2-A3-10-1.4301/N	304	NBR
P2-A3-10-1.4301/S	304	Silicone
P2-A3-10-1.4301/V	304	VITON
P2-A3-10-1.4404/P	316L	PARA
P2-A3-10-1.4404/E	316L	EPDM
P2-A3-10-1.4404/N	316L	NBR
P2-A3-10-1.4404/S	316L	Silicone
P2-A3-10-1.4404/V	316L	VITON

Frame (A) = 30 x 10 mm  
**Weight 8,4 kg**

Code	Mat.	Gasket
P2-A3-12-1.4301/P	304	PARA
P2-A3-12-1.4301/E	304	EPDM
P2-A3-12-1.4301/N	304	NBR
P2-A3-12-1.4301/S	304	Silicone
P2-A3-12-1.4301/V	304	VITON
P2-A3-12-1.4404/P	316L	PARA
P2-A3-12-1.4404/E	316L	EPDM
P2-A3-12-1.4404/N	316L	NBR
P2-A3-12-1.4404/S	316L	Silicone
P2-A3-12-1.4404/V	316L	VITON

Frame (A) = 30 x 12 mm  
**Weight 9,0 kg**

# A3E (economical)



**Oval shaped manhole door “fruit juice”:** A3E  
**Dimensions:** 440 x 310 mm  
**Max. working pressure:** 3,2 bar  
**Standard handle:** VLT18RZ202L  
**Minimal diameter of the tank:** Ø 1300 mm  
**Material:** AISI 304 or AISI 316L  
**Standard gasket:** natural rubber (PARA)  
**Gasket on request:** EPDM, Silicone, NBR, VITON  
**Surface:** polished cover, satin frame  
**Opening inward** (option that the cover comes out)

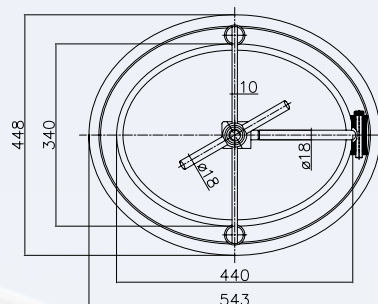
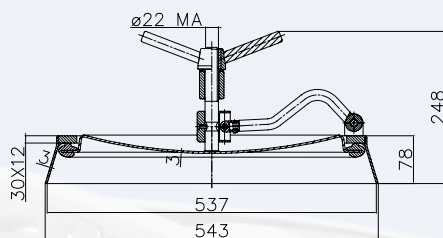
Code	Mat.	Gasket
P2-A3E-10-1.4301/P	304	PARA
P2-A3E-10-1.4301/E	304	EPDM
P2-A3E-10-1.4301/N	304	NBR
P2-A3E-10-1.4301/S	304	Silicone
P2-A3E-10-1.4301/V	304	VITON
P2-A3E-10-1.4404/P	316L	PARA
P2-A3E-10-1.4404/E	316L	EPDM
P2-A3E-10-1.4404/N	316L	NBR
P2-A3E-10-1.4404/S	316L	Silicone
P2-A3E-10-1.4404/V	316L	VITON

Frame (A) = 30 x 10 mm  
**Weight 8,8 kg**

Code	Mat.	Gasket
P2-A3E-12-1.4301/P	304	PARA
P2-A3E-12-1.4301/E	304	EPDM
P2-A3E-12-1.4301/N	304	NBR
P2-A3E-12-1.4301/S	304	Silicone
P2-A3E-12-1.4301/V	304	VITON
P2-A3E-12-1.4404/P	316L	PARA
P2-A3E-12-1.4404/E	316L	EPDM
P2-A3E-12-1.4404/N	316L	NBR
P2-A3E-12-1.4404/S	316L	Silicone
P2-A3E-12-1.4404/V	316L	VITON

Frame (A) = 30 x 12 mm  
**Weight 9,4 kg**

# A4

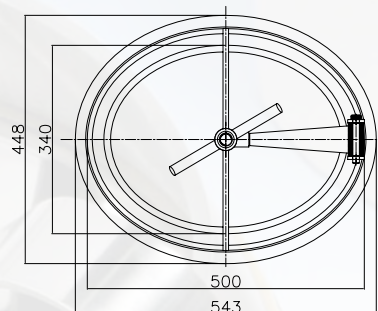
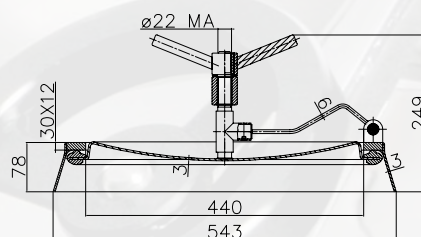


**Oval shaped manhole door type “fruit juice”:** A4  
**Dimensions:** 440 x 340 mm  
**Max. working pressure:** 3,2 bar  
**Standard handle:** VLT22RZ201L  
**Height of the frame on request:** max. 160 mm  
**Material:** AISI 304 or AISI 316L  
**Standard gasket:** natural rubber (PARA)  
**Gasket on request:** EPDM, Silicone, NBR, VITON  
**Surface:** polished cover, satin frame  
**Opening inward** (option that the cover comes out)

Code	Mat.	Gasket
P2-A4-080-1.4301/P	304	PARA
P2-A4-080-1.4301/E	304	EPDM
P2-A4-080-1.4301/N	304	NBR
P2-A4-080-1.4301/S	304	Silicone
P2-A4-080-1.4301/V	304	VITON
P2-A4-080-1.4404/P	316L	PARA
P2-A4-080-1.4404/E	316L	EPDM
P2-A4-080-1.4404/N	316L	NBR
P2-A4-080-1.4404/S	316L	Silicone
P2-A4-080-1.4404/V	316L	VITON

Weight 15,5 kg

# A4E (economical)

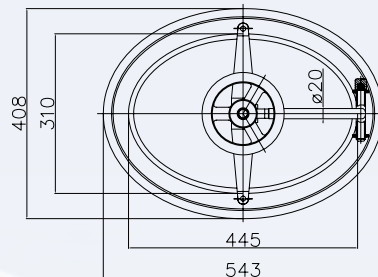
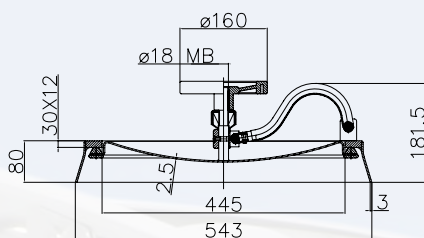


**Oval shaped manhole door “fruit juice”:** A4E  
**Dimensions:** 440 x 340 mm  
**Max. working pressure:** 3,2 bar  
**Standard handle:** VLT22RZ203S  
**Height of the frame on request:** max. 160 mm  
**Material:** AISI 304 or AISI 316L  
**Standard gasket:** natural rubber (PARA)  
**Gasket on request:** EPDM, Silicone, NBR, VITON  
**Surface:** polished cover, satin frame  
**Opening inward** (option that the cover comes out)

Code	Mat.	Gasket
P2-A4E-080-1.4301/P	304	PARA
P2-A4E-080-1.4301/E	304	EPDM
P2-A4E-080-1.4301/N	304	NBR
P2-A4E-080-1.4301/S	304	Silicone
P2-A4E-080-1.4301/V	304	VITON
P2-A4E-080-1.4404/P	316L	PARA
P2-A4E-080-1.4404/E	316L	EPDM
P2-A4E-080-1.4404/N	316L	NBR
P2-A4E-080-1.4404/S	316L	Silicone
P2-A4E-080-1.4404/V	316L	VITON

Weight 14,4 kg

# A5

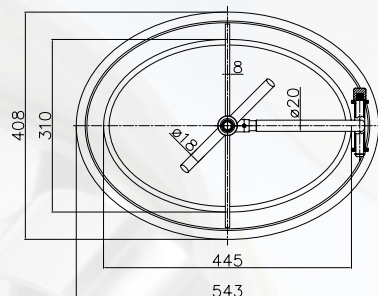
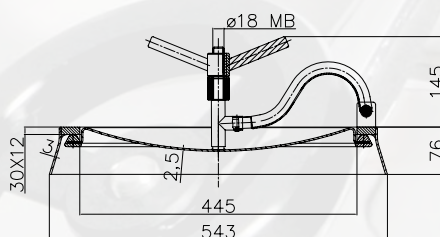


**Oval shaped manhole door type “fruit juice”:** A5  
**Dimensions:** 440 x 310 mm  
**Max. working pressure:** 3,2 bar  
**Standard handle:** VLT1816004  
**Height of the frame on request:** max. 120 mm  
**Material:** AISI 304 or AISI 316L  
**Standard gasket:** natural rubber (PARA)  
**Gasket on request:** EPDM, Silicone, NBR, VITON  
**Surface:** polished cover, satin frame  
**Opening inward** (option that the cover comes out)

Code	Mat.	Gasket
P2-A5-080-1.4301/P	304	PARA
P2-A5-080-1.4301/E	304	EPDM
P2-A5-080-1.4301/N	304	NBR
P2-A5-080-1.4301/S	304	Silicone
P2-A5-080-1.4301/V	304	VITON
P2-A5-080-1.4404/P	316L	PARA
P2-A5-080-1.4404/E	316L	EPDM
P2-A5-080-1.4404/N	316L	NBR
P2-A5-080-1.4404/S	316L	Silicone
P2-A5-080-1.4404/V	316L	VITON

**Weight 11,7 kg**

# A5E (economical)

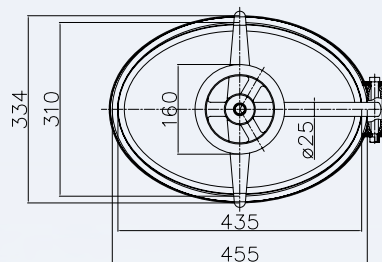
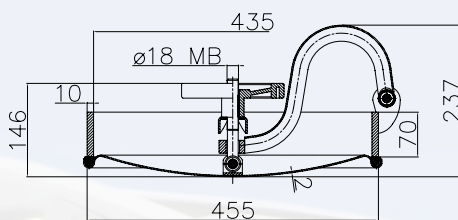


**Oval shaped manhole door “fruit juice”:** A5E  
**Dimensions:** 440 x 310 mm  
**Max. working pressure:** 3,2 bar  
**Standard handle:** VLT18RZ202L  
**Height of the frame on request:** max. 120 mm  
**Material:** AISI 304 or AISI 316L  
**Standard gasket:** natural rubber (PARA)  
**Gasket on request:** EPDM, Silicone, NBR, VITON  
**Surface:** polished cover, satin frame  
**Opening inward** (option that the cover comes out)

Code	Mat.	Gasket
P2-A5E-080-1.4301/P	304	PARA
P2-A5E-080-1.4301/E	304	EPDM
P2-A5E-080-1.4301/N	304	NBR
P2-A5E-080-1.4301/S	304	Silicone
P2-A5E-080-1.4301/V	304	VITON
P2-A5E-080-1.4404/P	316L	PARA
P2-A5E-080-1.4404/E	316L	EPDM
P2-A5E-080-1.4404/N	316L	NBR
P2-A5E-080-1.4404/S	316L	Silicone
P2-A5E-080-1.4404/V	316L	VITON

**Weight 12,2 kg**

# A6

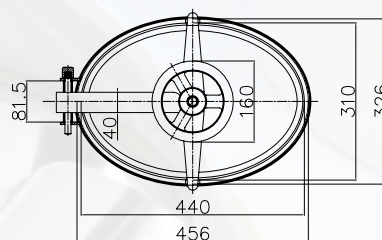
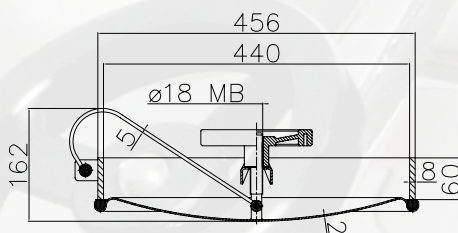


**Oval shaped manhole door type "export":** A6  
**Dimensions:** 440 x 310 mm  
**Max. working pressure:** 3,0 bar  
**Standard handle:** VLT1816004  
**Material:** AISI 304 or AISI 316L  
**Standard gasket:** natural rubber (PARA)  
**Gasket on request:** EPDM, Silicone, NBR, VITON  
**Surface:** polished cover, satin frame  
**Opening inward** (option that the cover comes out)

Code	Mat.	Gasket
P2-A6-1.4301/P	304	PARA
P2-A6-1.4301/E	304	EPDM
P2-A6-1.4301/N	304	NBR
P2-A6-1.4301/S	304	Silicone
P2-A6-1.4301/V	304	VITON
P2-A6-1.4404/P	316L	PARA
P2-A6-1.4404/E	316L	EPDM
P2-A6-1.4404/N	316L	NBR
P2-A6-1.4404/S	316L	Silicone
P2-A6-1.4404/V	316L	VITON

Weight 11,2 kg

# A7



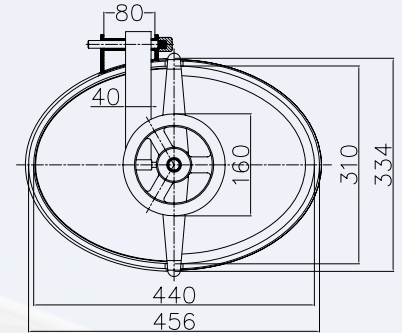
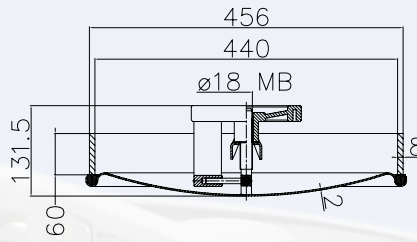
**Oval shaped manhole model:** A7  
**Dimensions:** 440 x 310 m  
**Max. working pressure:** 3,0 bar  
**Standard handle:** VLT1816004  
**Material:** AISI 304 or AISI 316L  
**Standard gasket:** natural rubber (PARA)  
**Gasket on request:** EPDM, Silicone, NBR, VITON  
**Surface:** polished cover, satin frame  
**Opening inward** (option that the cover comes out)

Code	Mat.	Gasket
P2-A7-1.4301/P	304	PARA
P2-A7-1.4301/E	304	EPDM
P2-A7-1.4301/N	304	NBR
P2-A7-1.4301/S	304	Silicone
P2-A7-1.4301/V	304	VITON
P2-A7-1.4404/P	316L	PARA
P2-A7-1.4404/E	316L	EPDM
P2-A7-1.4404/N	316L	NBR
P2-A7-1.4404/S	316L	Silicone
P2-A7-1.4404/V	316L	VITON

Weight 8,7 kg



# A8

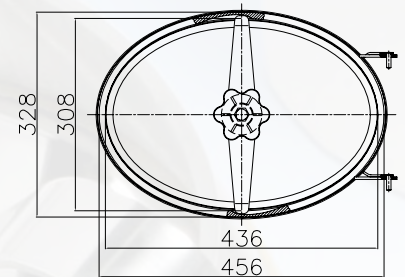
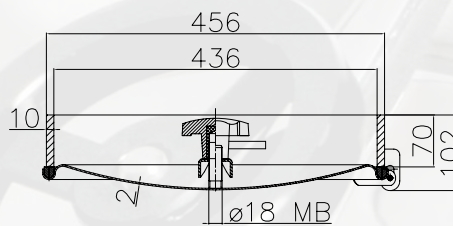


**Oval shaped manhole door model:** A8  
**Dimensions:** 440 x 310 mm  
**Max. working pressure:** 3,0 bar  
**Standard handle:** VLT1816004  
**Material:** AISI 304 or AISI 316L  
**Standard gasket:** natural rubber (PARA)  
**Gasket on request:** EPDM, Silicone, NBR, VITON  
**Surface:** polished cover, satin frame  
**Opening inward** (option that the cover comes out)

Code	Mat.	Gasket
P2-A8-1.4301/P	304	PARA
P2-A8-1.4301/E	304	EPDM
P2-A8-1.4301/N	304	NBR
P2-A8-1.4301/S	304	Silicone
P2-A8-1.4301/V	304	VITON
P2-A8-1.4404/P	316L	PARA
P2-A8-1.4404/E	316L	EPDM
P2-A8-1.4404/N	316L	NBR
P2-A8-1.4404/S	316L	Silicone
P2-A8-1.4404/V	316L	VITON

**Weight 8,8 kg**

# A9

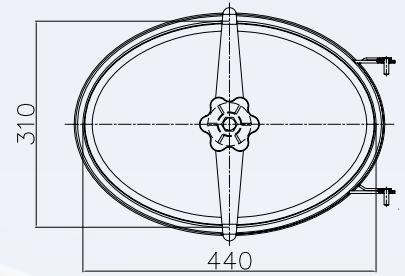
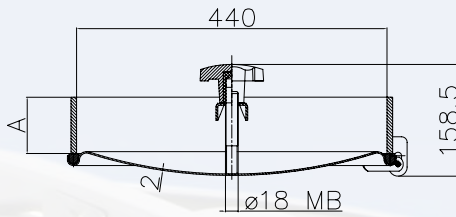


**Oval shaped manhole door model:** A9  
**Dimensions:** 440 x 310 mm  
**Max. working pressure:** 3,0 bar  
**Standard handle:** VLT1809003  
**Opening:** inward  
**Material:** AISI 304 or AISI 316L  
**Standard gasket:** natural rubber (PARA)  
**Gasket on request:** EPDM, Silicone, NBR, VITON  
**Surface:** polished cover, satin frame

Code	Mat.	Gasket
P2-A9-1.4301/P	304	PARA
P2-A9-1.4301/E	304	EPDM
P2-A9-1.4301/N	304	NBR
P2-A9-1.4301/S	304	Silicone
P2-A9-1.4301/V	304	VITON
P2-A9-1.4404/P	316L	PARA
P2-A9-1.4404/E	316L	EPDM
P2-A9-1.4404/N	316L	NBR
P2-A9-1.4404/S	316L	Silicone
P2-A9-1.4404/V	316L	VITON

**Weight 9,7 kg**

# A10

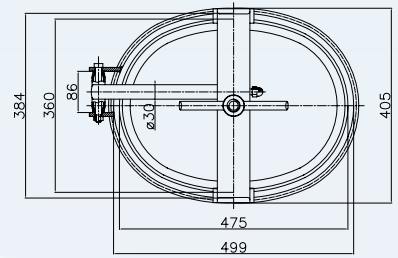
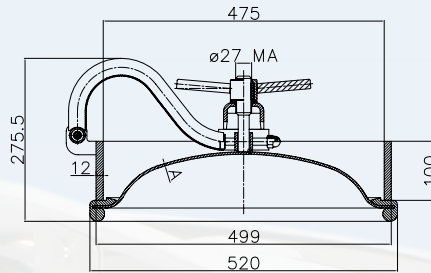


**Oval shaped manhole door model:** A10  
**Dimensions:** 440 x 310 mm  
**Max. working pressure:** 3,0 bar  
**Standard handle (60 x 6 and 60 x 8):** VLT1806004  
**Standard handle (80 x 8):** VLT1809003  
**Height of the frame on request:** max. 160 mm  
**Opening:** inward  
**Material:** AISI 304 or AISI 316L  
**Standard gasket:** natural rubber (PARA)  
**Gasket on request:** EPDM, Silicone, NBR, VITON  
**Surface:** polished cover, satin frame

Code	Mat.	Gasket
P2-A10-606-1.4301/P	304	PARA
P2-A10-606-1.4301/E	304	EPDM
P2-A10-606-1.4301/N	304	NBR
P2-A10-606-1.4301/S	304	Silicone
P2-A10-606-1.4301/V	304	VITON
P2-A10-606-1.4404/P	316L	PARA
P2-A10-606-1.4404/E	316L	EPDM
P2-A10-606-1.4404/N	316L	NBR
P2-A10-606-1.4404/S	316L	Silicone
P2-A10-606-1.4404/V	316L	VITON
<b>Frame (A) = 60 x 6 mm</b>		
<b>Weight 7,0 kg</b>		

Code	Mat.	Gasket
P2-A10-608-1.4301/P	304	PARA
P2-A10-610-1.4301/P	304	PARA
<b>coding of variants:</b>		
<b>P2</b>	Manholes II.	
<b>A10</b>	Model	
<b>608</b>	Frame (A) 60 x 8 mm	
<b>610</b>	Frame (A) 60 x 10 mm	
<b>1.4301/1.4404</b>	Manhole material	
<b>P/E/N/S/V</b>	Gasket material	
<b>Frame (A) 60 x 8 mm = 8,0 kg</b>		
<b>Frame (A) 60 x 10 mm = 9,5 kg</b>		

# A11 PED



Oval shaped manhole door:

Dimensions:

Max. working pressure:

Standard handle:

Max. working temperature:

Material:

Standard gasket:

Gasket on request:

Surface:

Opening inward (option that the cover comes out)

Certificate PED on request

A11

480 x 370 mm

4 / 9 / 15 bar

VLT27RZ201L

-20/+100 °C

AISI 304 or AISI 316L

natural rubber (PARA)

EPDM, Silicone, NBR, VITON

polished cover, satin frame

Code	Mat.	Gasket
P2-A11-04-1.4301/P	304	PARA
P2-A11-04-1.4301/E	304	EPDM
P2-A11-04-1.4301/N	304	NBR
P2-A11-04-1.4301/S	304	Silicone
P2-A11-04-1.4301/V	304	VITON
P2-A11-04-1.4404/P	316L	PARA
P2-A11-04-1.4404/E	316L	EPDM
P2-A11-04-1.4404/N	316L	NBR
P2-A11-04-1.4404/S	316L	Silicone
P2-A11-04-1.4404/V	316L	VITON

PED 4 bar A=4 mm

Weight 25,4 kg

Code	Mat.	Gasket
P2-A11-09-1.4301/P	304	PARA
P2-A11-15-1.4301/P	304	PARA

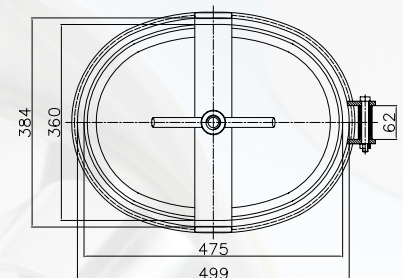
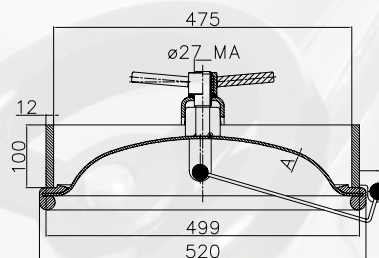
coding of variants:

P2	Manholes II.
A11	Model
09	9 bar
15	15 bar
1.4301/1.4404	Manhole material
P/E/N/S/V	Gasket material

PED 9 bar A=6 mm (28 kg)

PED 15 bar A=10 mm (35,4 kg)

# A12 PED



Oval shaped manhole door:

Dimensions:

Max. working pressure:

Standard handle:

Max. working temperature:

Material:

Standard gasket:

Gasket on request:

Surface:

Opening inward (option that the cover comes out)

Certificate PED on request

A12

480 x 370 mm

4 / 9 / 15 bar

VLT27RZ201L

-20/+100 °C

AISI 304 or AISI 316L

natural rubber (PARA)

EPDM, Silicone, NBR, VITON

polished cover, satin frame

Code	Mat.	Gasket
P2-A12-04-1.4301/P	304	PARA
P2-A12-04-1.4301/E	304	EPDM
P2-A12-04-1.4301/N	304	NBR
P2-A12-04-1.4301/S	304	Silicone
P2-A12-04-1.4301/V	304	VITON
P2-A12-04-1.4404/P	316L	PARA
P2-A12-04-1.4404/E	316L	EPDM
P2-A12-04-1.4404/N	316L	NBR
P2-A12-04-1.4404/S	316L	Silicone
P2-A12-04-1.4404/V	316L	VITON

PED 4 bar A=4 mm

Weight 27 kg

Code	Mat.	Gasket
P2-A12-09-1.4301/P	304	PARA
P2-A12-15-1.4301/P	304	PARA

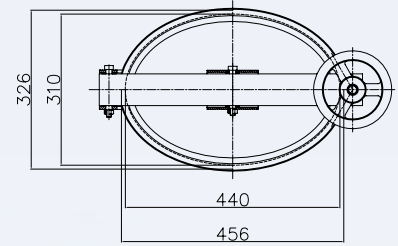
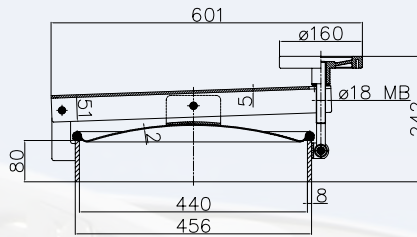
coding of variants:

P2	Manholes II.
A12	Model
09	9 bar
15	15 bar
1.4301/1.4404	Manhole material
P/E/N/S/V	Gasket material

PED 9 bar A=6 mm (29,5 kg)

PED 15 bar A=10 mm (37 kg)

# A13

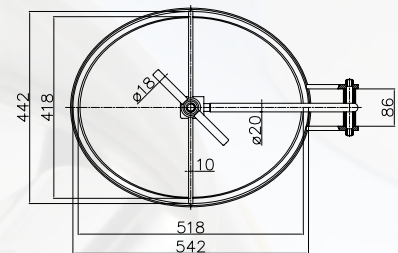
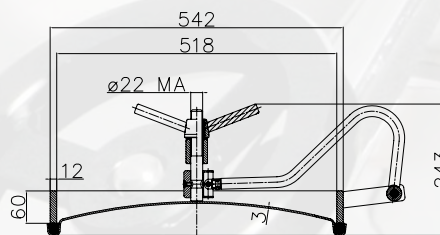


**Oval shaped manhole door:** A13  
**Dimensions:** 440 x 310 mm  
**Max. working pressure:** -1,0/+0,7 bar  
**Standard handle:** VLT1816004  
**Height of the frame on request:** max. 160 mm  
**Opening:** outward  
**Material:** AISI 304 or AISI 316L  
**Standard gasket:** natural rubber (PARA)  
**Gasket on request:** EPDM, Silicone, NBR, VITON  
**Surface:** polished cover, satin frame

Code	Mat.	Gasket
P2-A13-080-1.4301/P	304	PARA
P2-A13-080-1.4301/E	304	EPDM
P2-A13-080-1.4301/N	304	NBR
P2-A13-080-1.4301/S	304	Silicone
P2-A13-080-1.4301/V	304	VITON
P2-A13-080-1.4404/P	316L	PARA
P2-A13-080-1.4404/E	316L	EPDM
P2-A13-080-1.4404/N	316L	NBR
P2-A13-080-1.4404/S	316L	Silicone
P2-A13-080-1.4404/V	316L	VITON

Weight 13,5 kg

# A15

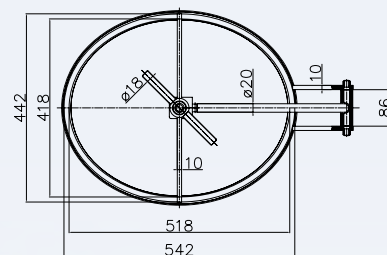
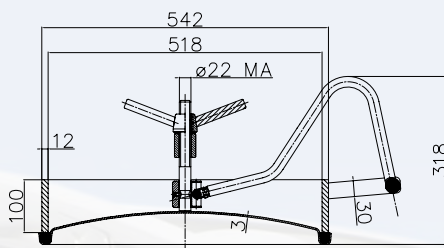


**Oval shaped manhole door type "milk" model:** A15  
**Dimensions:** 520 x 420 mm  
**Max. working pressure:** 8 bar  
**Standard handle:** VLT22RZ201S  
**Material:** AISI 304 or AISI 316L  
**Standard gasket:** natural rubber (PARA)  
**Gasket on request:** EPDM, Silicone, NBR, VITON  
**Surface:** polished cover, satin frame  
**Opening inward** (option that the cover comes out)

Code	Mat.	Gasket
P2-A15-1.4301/P	304	PARA
P2-A15-1.4301/E	304	EPDM
P2-A15-1.4301/N	304	NBR
P2-A15-1.4301/S	304	Silicone
P2-A15-1.4301/V	304	VITON
P2-A15-1.4404/P	316L	PARA
P2-A15-1.4404/E	316L	EPDM
P2-A15-1.4404/N	316L	NBR
P2-A15-1.4404/S	316L	Silicone
P2-A15-1.4404/V	316L	VITON

Weight 20 kg

# A16

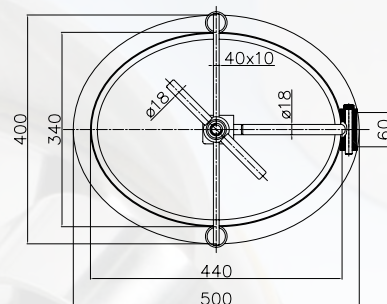
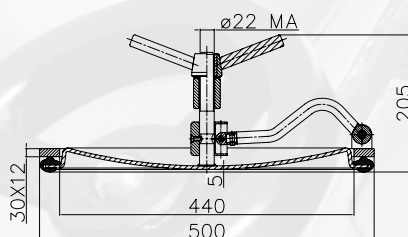


**Oval shaped manhole door type "milk" model:** A16  
**Dimensions:** 520 x 420 mm  
**Max. working pressure:** 8,0 bar  
**Standard handle:** VLT22RZ201S  
**Height of the frame on request:** max. 160 mm  
**Material:** AISI 304 or AISI 316L  
**Standard gasket:** natural rubber (PARA)  
**Gasket on request:** EPDM, Silicone, NBR, VITON  
**Surface:** polished cover, satin frame  
**Opening inward** (option that the cover comes out)

Code	Mat.	Gasket
P2-A16-100-1.4301/P	304	PARA
P2-A16-100-1.4301/E	304	EPDM
P2-A16-100-1.4301/N	304	NBR
P2-A16-100-1.4301/S	304	Silicone
P2-A16-100-1.4301/V	304	VITON
P2-A16-100-1.4404/P	316L	PARA
P2-A16-100-1.4404/E	316L	EPDM
P2-A16-100-1.4404/N	316L	NBR
P2-A16-100-1.4404/S	316L	Silicone
P2-A16-100-1.4404/V	316L	VITON

Weight 25,5 kg

# A17 PED

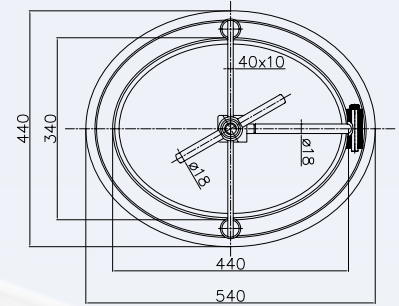
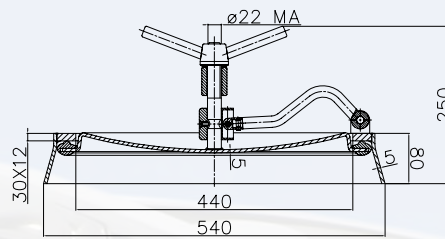


**Oval shaped manhole door model:** A17  
**Dimensions:** 440 x 340 mm  
**Max. working pressure:** 8 bar -10/+100 °C  
 7 bar -10/+150 °C  
**Standard handle:** VLT22RZ201L  
**Material:** AISI 304 or AISI 316L  
**Standard gasket:** natural rubber (PARA)  
**Gasket on request:** EPDM, Silicone, NBR, VITON  
**Surface:** polished cover, satin frame  
**Opening inward** (option that the cover comes out)  
**Certificate PED on request**

Code	Mat.	Gasket
P2-A17-1.4301/P	304	PARA
P2-A17-1.4301/E	304	EPDM
P2-A17-1.4301/N	304	NBR
P2-A17-1.4301/S	304	Silicone
P2-A17-1.4301/V	304	VITON
P2-A17-1.4404/P	316L	PARA
P2-A17-1.4404/E	316L	EPDM
P2-A17-1.4404/N	316L	NBR
P2-A17-1.4404/S	316L	Silicone
P2-A17-1.4404/V	316L	VITON

Weight 13,8 kg

# A18 PED

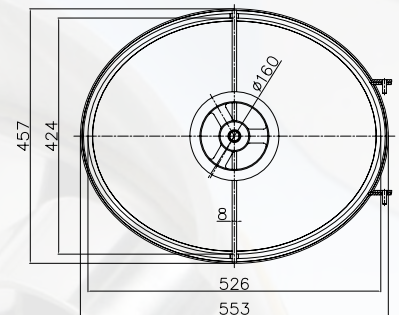
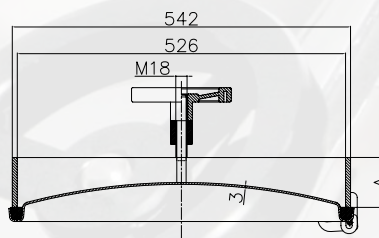


**Oval shaped manhole door model:** A18  
**Dimensions:** 440 x 340 mm  
**Max. working pressure:** 8 bar -10/+100 °C  
 7 bar -10/+150 °C  
**Standard handle:** VLT22RZ201L  
**Material:** AISI 304 or AISI 316L  
**Standard gasket:** natural rubber (PARA)  
**Gasket on request:** EPDM, Silicone, NBR, VITON  
**Surface:** polished cover, satin frame  
**Opening inward** (option that the cover comes out)  
**Certificate PED on request**

Code	Mat.	Gasket
P2-A18-1.4301/P	304	PARA
P2-A18-1.4301/E	304	EPDM
P2-A18-1.4301/N	304	NBR
P2-A18-1.4301/S	304	Silicone
P2-A18-1.4301/V	304	VITON
P2-A18-1.4404/P	316L	PARA
P2-A18-1.4404/E	316L	EPDM
P2-A18-1.4404/N	316L	NBR
P2-A18-1.4404/S	316L	Silicone
P2-A18-1.4404/V	316L	VITON

**Weight 18 kg**

# A21



**Oval shaped manhole door model:** A21  
**Dimensions:** 520 x 420 mm  
**Max. working pressure:** 6,0 bar  
**Standard handle:** VLT1816004  
**Height of the frame on request:** max. 160 mm  
**Opening:** inward  
**Material:** AISI 304 or AISI 316L  
**Standard gasket:** natural rubber (PARA)  
**Gasket on request:** EPDM, Silicone, NBR, VITON  
**Surface:** polished cover, satin frame

Code	Mat.	Gasket
P2-A21-808-1.4301/P	304	PARA
P2-A21-808-1.4301/E	304	EPDM
P2-A21-808-1.4301/N	304	NBR
P2-A21-808-1.4301/S	304	Silicone
P2-A21-808-1.4301/V	304	VITON
P2-A21-808-1.4404/P	316L	PARA
P2-A21-808-1.4404/E	316L	EPDM
P2-A21-808-1.4404/N	316L	NBR
P2-A21-808-1.4404/S	316L	Silicone
P2-A21-808-1.4404/V	316L	VITON

**Frame (A) = 80 x 8 mm**

**Weight 15,5 kg**

Code	Mat.	Gasket
P2-A21-810-1.4301/P	304	PARA
P2-A21-812-1.4301/P	304	PARA

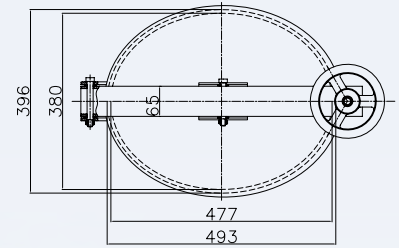
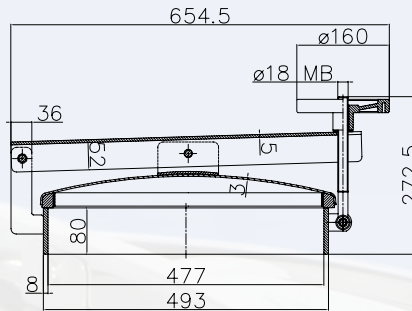
**coding of variants:**

<b>P2</b>	Manholes II.
<b>A21</b>	Model
<b>810</b>	Frame (A) 80 x 10 mm
<b>812</b>	Frame (A) 80 x 12 mm
<b>1.4301/1.4404</b>	Manhole material
<b>P/E/N/S/V</b>	Gasket material

**Frame (A) 80 x 10 mm = 17,5 kg**

**Frame (A) 80 x 12 mm = 19,5 kg**

# A25

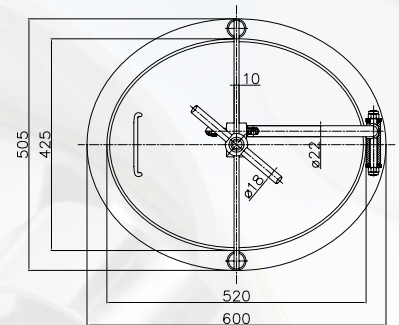
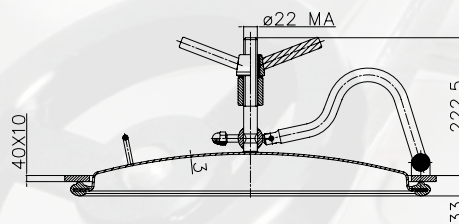


<b>Oval shaped manhole door model:</b>	A25
<b>Dimensions:</b>	480 x 380 mm
<b>Max. working pressure:</b>	-1,0/+0,5 bar
<b>Standard handle:</b>	VLT1816004
<b>Opening:</b>	outward
<b>Material:</b>	AISI 304 or AISI 316L
<b>Standard gasket:</b>	natural rubber (PARA)
<b>Gasket on request:</b>	EPDM, Silicone, NBR, VITON
<b>Surface:</b>	polished cover, satin frame

Code	Mat.	Gasket
P2-A25-1.4301/P	304	PARA
P2-A25-1.4301/E	304	EPDM
P2-A25-1.4301/N	304	NBR
P2-A25-1.4301/S	304	Silicone
P2-A25-1.4301/V	304	VITON
P2-A25-1.4404/P	316L	PARA
P2-A25-1.4404/E	316L	EPDM
P2-A25-1.4404/N	316L	NBR
P2-A25-1.4404/S	316L	Silicone
P2-A25-1.4404/V	316L	VITON

Weight 18 kg

# A26

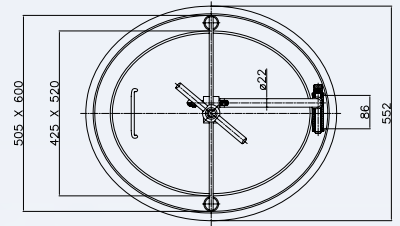
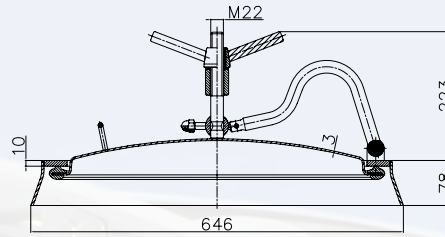


<b>Oval shaped manhole door model:</b>	A26
<b>Dimensions:</b>	520 x 420 mm
<b>Max. working pressure:</b>	3,0 bar
<b>Minimal diameter of the tank:</b>	Ø 3000 mm
<b>Standard handle:</b>	VLT22RZ201S
<b>Material:</b>	AISI 304 or AISI 316L
<b>Standard gasket:</b>	natural rubber (PARA)
<b>Gasket on request:</b>	EPDM, Silicone, NBR, VITON
<b>Surface:</b>	polished cover, satin frame
<b>Opening inward (option that the cover comes out)</b>	

Code	Mat.	Gasket
P2-A26-1.4301/P	304	PARA
P2-A26-1.4301/E	304	EPDM
P2-A26-1.4301/N	304	NBR
P2-A26-1.4301/S	304	Silicone
P2-A26-1.4301/V	304	VITON
P2-A26-1.4404/P	316L	PARA
P2-A26-1.4404/E	316L	EPDM
P2-A26-1.4404/N	316L	NBR
P2-A26-1.4404/S	316L	Silicone
P2-A26-1.4404/V	316L	VITON

Weight 17,1 kg

# A27

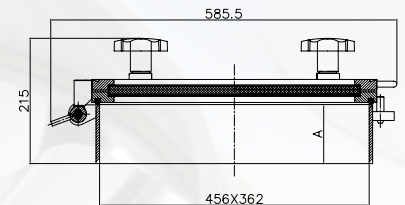
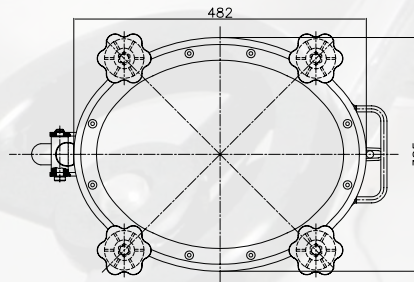


**Oval shaped manhole door model:** A27  
**Dimensions:** 520 x 420 mm  
**Max. working pressure:** 3,0 bar  
**Standard handle:** VLT22RZ201S  
**Material:** AISI 304 or AISI 316L  
**Standard gasket:** natural rubber (PARA)  
**Gasket on request:** EPDM, Silicone, NBR, VITON  
**Surface:** polished cover, satin frame  
**Opening inward** (option that the cover comes out)

Code	Mat.	Gasket
P2-A27-1.4301/P	304	PARA
P2-A27-1.4301/E	304	EPDM
P2-A27-1.4301/N	304	NBR
P2-A27-1.4301/S	304	Silicone
P2-A27-1.4301/V	304	VITON
P2-A27-1.4404/P	316L	PARA
P2-A27-1.4404/E	316L	EPDM
P2-A27-1.4404/N	316L	NBR
P2-A27-1.4404/S	316L	Silicone
P2-A27-1.4404/V	316L	VITON

**Weight 21,6 kg**

# A28



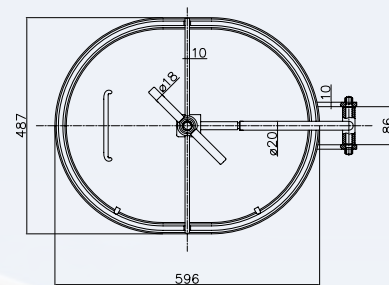
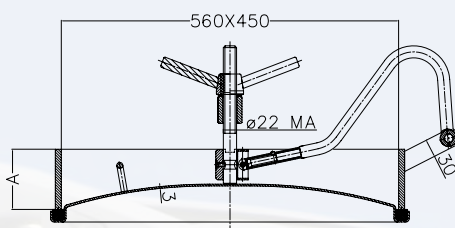
**Oval shaped manhole door with glass model:** A28  
**Dimensions:** 450 x 360 mm  
**Max. working pressure:** -1,0/+1,0 bar  
**Standard handle:** VLT1609004  
**Opening:** inward  
**Material:** AISI 304 or AISI 316L  
**Standard gasket:** Silicone  
**Gasket on demand:** EPDM, PARA, NBR, VITON  
**Surface:** polished cover, satin frame

Code	Mat.	Gasket
P2-A28-1.4301/P	304	PARA
P2-A28-1.4301/E	304	EPDM
P2-A28-1.4301/N	304	NBR
P2-A28-1.4301/S	304	Silicone
P2-A28-1.4301/V	304	VITON
P2-A28-1.4404/P	316L	PARA
P2-A28-1.4404/E	316L	EPDM
P2-A28-1.4404/N	316L	NBR
P2-A28-1.4404/S	316L	Silicone
P2-A28-1.4404/V	316L	VITON

**Weight 25,7 kg**



# A29



**Half-oval shaped manhole model:**

**Dimensions:** A29 560 x 450 mm  
**Max. working pressure:** 4,0 bar  
**Standard handle:** VLT22RZ201S  
**Material:** AISI 304 or AISI 316L  
**Standard gasket:** natural rubber (PARA)  
**Gasket on request:** EPDM, Silicone, NBR, VITON  
**Surface:** polished cover, satin frame  
**Opening inward** (option that the cover comes out)

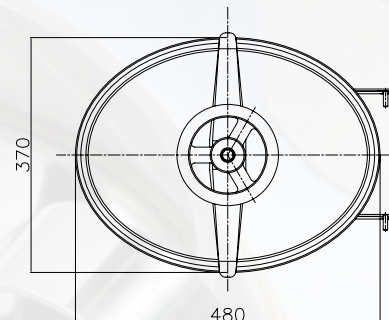
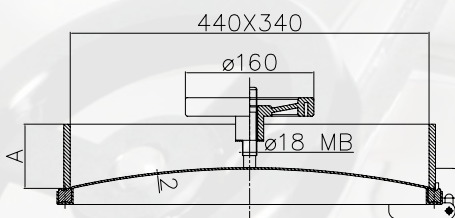
Code	Mat.	Gasket
P2-A29-100-1.4301/P	304	PARA
P2-A29-100-1.4301/E	304	EPDM
P2-A29-100-1.4301/N	304	NBR
P2-A29-100-1.4301/S	304	Silicone
P2-A29-100-1.4301/V	304	VITON
P2-A29-100-1.4404/P	316L	PARA
P2-A29-100-1.4404/E	316L	EPDM
P2-A29-100-1.4404/N	316L	NBR
P2-A29-100-1.4404/S	316L	Silicone
P2-A29-100-1.4404/V	316L	VITON

Frame (A) = 100 x 10  
**Weight 26,5 kg**

Code	Mat.	Gasket
P2-A29-112-1.4301/P	304	PARA
P2-A29-112-1.4301/E	304	EPDM
P2-A29-112-1.4301/N	304	NBR
P2-A29-112-1.4301/S	304	Silicone
P2-A29-112-1.4301/V	304	VITON
P2-A29-112-1.4404/P	316L	PARA
P2-A29-112-1.4404/E	316L	EPDM
P2-A29-112-1.4404/N	316L	NBR
P2-A29-112-1.4404/S	316L	Silicone
P2-A29-112-1.4404/V	316L	VITON

Frame (A) = 100 x 12  
**Weight 29,0 kg**

# A30



**Oval shaped manhole door model:**

**Dimensions:** A30 440 x 340 mm  
**Max. working pressure:** 3,0 bar  
**Standard handle:** VLT1816004  
**Material:** AISI 304 or AISI 316L  
**Standard gasket:** natural rubber (PARA)  
**Gasket on request:** EPDM, Silicone, NBR, VITON  
**Surface:** polished cover, satin frame  
**Opening inward** (option that the cover comes out)

Code	Mat.	Gasket
P2-A30-606-1.4301/P	304	PARA
P2-A30-606-1.4301/E	304	EPDM
P2-A30-606-1.4301/N	304	NBR
P2-A30-606-1.4301/S	304	Silicone
P2-A30-606-1.4301/V	304	VITON
P2-A30-606-1.4404/P	316L	PARA
P2-A30-606-1.4404/E	316L	EPDM
P2-A30-606-1.4404/N	316L	NBR
P2-A30-606-1.4404/S	316L	Silicone
P2-A30-606-1.4404/V	316L	VITON

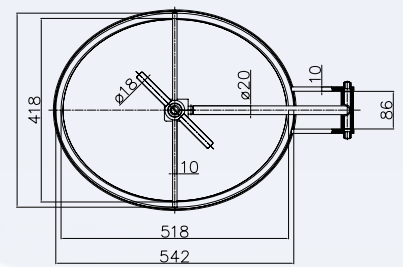
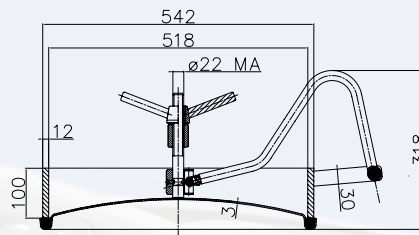
Frame (A) = 60 x 6 mm  
**Weight 12,2 kg**

Code	Mat.	Gasket
P2-A30-608-1.4301/P	304	PARA
P2-A30-808-1.4301/P	304	PARA

**coding of variants:**

P2	Manholes II.
A30	Model
608	Frame (A) 60 x 8 mm
808	Frame (A) 80 x 8 mm
1.4301/1.4404	Manhole material
P/E/N/S/V	Gasket material

Frame (A) 60 x 8 mm = 10,7 kg  
 Frame (A) 80 x 8 mm = 12,2 kg

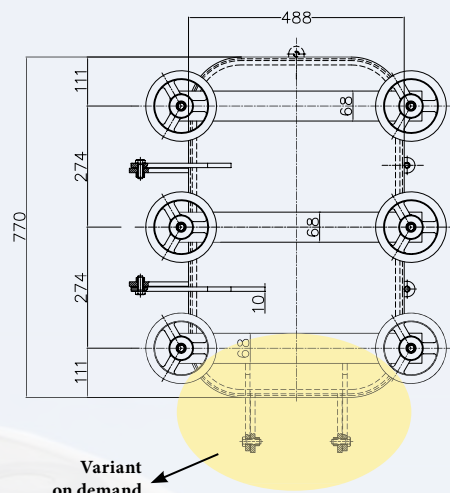
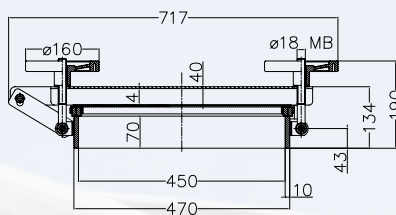
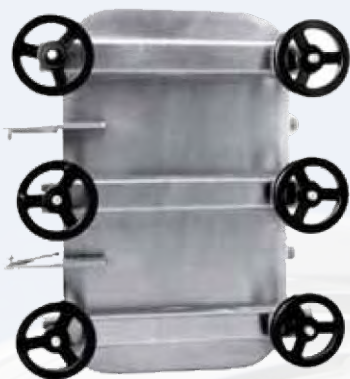


**Oval shaped manhole door type "milk" model:** A31  
**Dimensions:** 520 x 420 mm  
**Max. working pressure:** 6 bar -10/+100 °C  
 5 bar -10/+150 °C  
**Standard handle:** VLT22RZ201S  
**Material:** AISI 304 or AISI 316L  
**Standard gasket:** natural rubber (PARA)  
**Gasket on request:** EPDM, Silicone, NBR, VITON  
**Surface:** polished cover, satin frame  
**Height of the frame on request:** max. 160 mm  
**Opening inward** (option that the cover comes out)  
**Certificate PED on request**

Code	Mat.	Gasket
P2-A31-100-1.4301/P	304	PARA
P2-A31-100-1.4301/E	304	EPDM
P2-A31-100-1.4301/N	304	NBR
P2-A31-100-1.4301/S	304	Silicone
P2-A31-100-1.4301/V	304	VITON
P2-A31-100-1.4404/P	316L	PARA
P2-A31-100-1.4404/E	316L	EPDM
P2-A31-100-1.4404/N	316L	NBR
P2-A31-100-1.4404/S	316L	Silicone
P2-A31-100-1.4404/V	316L	VITON

**Weight 20,0 kg**

# B1 740 x 450 mm



**Rectangular manhole door for wine cooper:** B1  
**Dimensions:** 740 x 450 mm  
**Max. working pressure:** -1/+1 bar  
**Standard handle:** VLT1816004  
**Opening:** vertical outward  
**Material:** AISI 304 or AISI 316L  
**Standard gasket:** natural rubber (PARA)  
**Gasket on request:** EPDM, Silicone, NBR, VITON  
**Surface:** cover elektrochem.-polished, satin frame  
**Height of the frame on request:** max. 160 mm

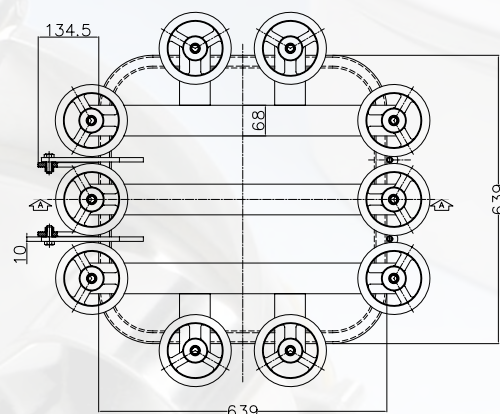
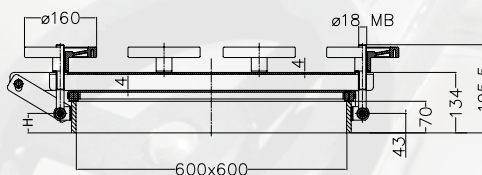
Code	Mat.	Gasket
P2-B1-74-708-1.4301/P	304	PARA
P2-B1-74-708-1.4301/E	304	EPDM
P2-B1-74-708-1.4301/N	304	NBR
P2-B1-74-708-1.4301/S	304	Silicone
P2-B1-74-708-1.4301/V	304	VITON
P2-B1-74-708-1.4404/P	316L	PARA
P2-B1-74-708-1.4404/E	316L	EPDM
P2-B1-74-708-1.4404/N	316L	NBR
P2-B1-74-708-1.4404/S	316L	Silicone
P2-B1-74-708-1.4404/V	316L	VITON

Frame (H) = 70 x 8  
**Weight 36 kg**

Code	Mat.	Gasket
P2-B1-74-710-1.4301/P	304	PARA
P2-B1-74-710-1.4301/E	304	EPDM
P2-B1-74-710-1.4301/N	304	NBR
P2-B1-74-710-1.4301/S	304	Silicone
P2-B1-74-710-1.4301/V	304	VITON
P2-B1-74-710-1.4404/P	316L	PARA
P2-B1-74-710-1.4404/E	316L	EPDM
P2-B1-74-710-1.4404/N	316L	NBR
P2-B1-74-710-1.4404/S	316L	Silicone
P2-B1-74-710-1.4404/V	316L	VITON

Frame (H) = 70 x 10  
**Weight 42,4 kg**

# B1 600 x 600 mm



**Rectangular manhole door for wine cooper:** B1  
**Dimensions:** 600 x 600 mm  
**Max. working pressure:** -1/+1 bar  
**Standard handle:** VLT1816004  
**Opening:** vertical outward  
**Material:** AISI 304 or AISI 316L  
**Standard gasket:** natural rubber (PARA)  
**Gasket on request:** EPDM, Silicone, NBR, VITON  
**Surface:** cover elektrochem.-polished, satin frame  
**Height of the frame on request:** max. 160 mm

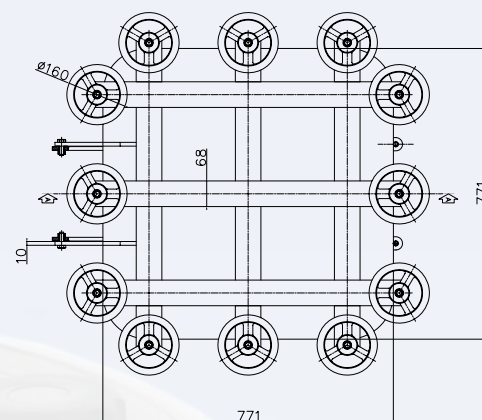
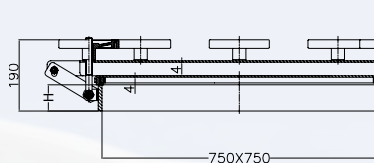
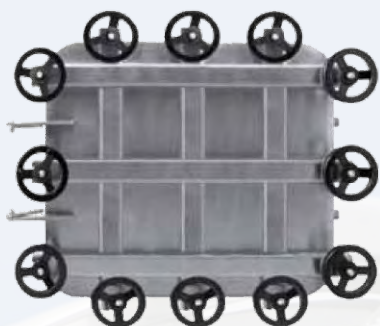
Code	Mat.	Gasket
P2-B1-66-708-1.4301/P	304	PARA
P2-B1-66-708-1.4301/E	304	EPDM
P2-B1-66-708-1.4301/N	304	NBR
P2-B1-66-708-1.4301/S	304	Silicone
P2-B1-66-708-1.4301/V	304	VITON
P2-B1-66-708-1.4404/P	316L	PARA
P2-B1-66-708-1.4404/E	316L	EPDM
P2-B1-66-708-1.4404/N	316L	NBR
P2-B1-66-708-1.4404/S	316L	Silicone
P2-B1-66-708-1.4404/V	316L	VITON

Frame (H) = 70 x 8  
**Weight on request**

Code	Mat.	Gasket
P2-B1-66-710-1.4301/P	304	PARA
P2-B1-66-710-1.4301/E	304	EPDM
P2-B1-66-710-1.4301/N	304	NBR
P2-B1-66-710-1.4301/S	304	Silicone
P2-B1-66-710-1.4301/V	304	VITON
P2-B1-66-710-1.4404/P	316L	PARA
P2-B1-66-710-1.4404/E	316L	EPDM
P2-B1-66-710-1.4404/N	316L	NBR
P2-B1-66-710-1.4404/S	316L	Silicone
P2-B1-66-710-1.4404/V	316L	VITON

Frame (H) = 70 x 10  
**Weight on request**

# B1 750 x 750 mm



**Rectangular manhole door for winemakers:** B1  
**Dimensions:** 750 x 750 mm  
**Max. working pressure:** -1/+1 bar  
**Standard handle:** VLT1816004  
**Opening:** vertical outward  
**Material:** AISI 304 or AISI 316L  
**Standard gasket:** natural rubber (PARA)  
**Gasket on request:** EPDM, Silicone, NBR, VITON  
**Surface:** cover elektrochem.-polished, satin frame  
**Height of the frame on request:** max. 160 mm

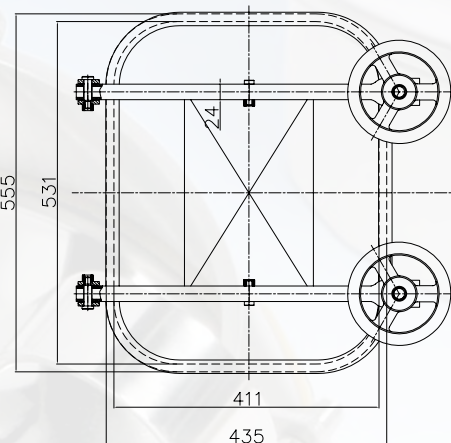
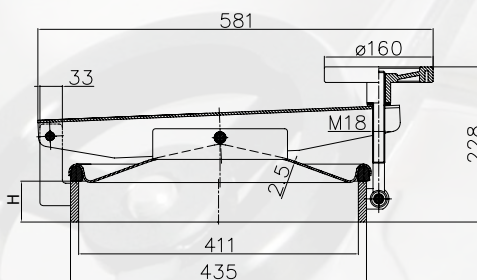
Code	Mat.	Gasket
P2-B1-77-708-1.4301/P	304	PARA
P2-B1-77-708-1.4301/E	304	EPDM
P2-B1-77-708-1.4301/N	304	NBR
P2-B1-77-708-1.4301/S	304	Silicone
P2-B1-77-708-1.4301/V	304	VITON
P2-B1-77-708-1.4404/P	316L	PARA
P2-B1-77-708-1.4404/E	316L	EPDM
P2-B1-77-708-1.4404/N	316L	NBR
P2-B1-77-708-1.4404/S	316L	Silicone
P2-B1-77-708-1.4404/V	316L	VITON

Frame (H) = 70 x 8  
 Weight on request

Code	Mat.	Gasket
P2-B1-77-710-1.4301/P	304	PARA
P2-B1-77-710-1.4301/E	304	EPDM
P2-B1-77-710-1.4301/N	304	NBR
P2-B1-77-710-1.4301/S	304	Silicone
P2-B1-77-710-1.4301/V	304	VITON
P2-B1-77-710-1.4404/P	316L	PARA
P2-B1-77-710-1.4404/E	316L	EPDM
P2-B1-77-710-1.4404/N	316L	NBR
P2-B1-77-710-1.4404/S	316L	Silicone
P2-B1-77-710-1.4404/V	316L	VITON

Frame (H) = 70 x 10  
 Weight on request

# B2



**Rectangular manhole door for winemakers:** B2  
**Dimensions:** 530 x 410 mm  
**Max. working pressure:** -1,0/+1,2 bar  
**Standard handle:** VLT1816004  
**Opening:** vertical outward  
**Material:** AISI 304 or AISI 316L  
**Standard gasket:** natural rubber (PARA)  
**Gasket on request:** EPDM, Silicone, NBR, VITON  
**Surface:** polished cover, satin frame

Code	Mat.	Gasket
P2-B2-608-1.4301/P	304	PARA
P2-B2-608-1.4301/E	304	EPDM
P2-B2-608-1.4301/N	304	NBR
P2-B2-608-1.4301/S	304	Silicone
P2-B2-608-1.4301/V	304	VITON
P2-B2-608-1.4404/P	316L	PARA
P2-B2-608-1.4404/E	316L	EPDM
P2-B2-608-1.4404/N	316L	NBR
P2-B2-608-1.4404/S	316L	Silicone
P2-B2-608-1.4404/V	316L	VITON

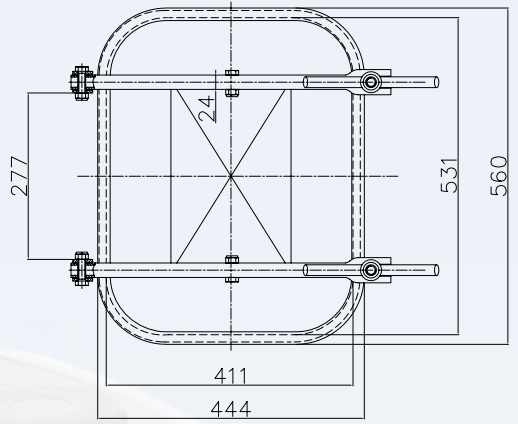
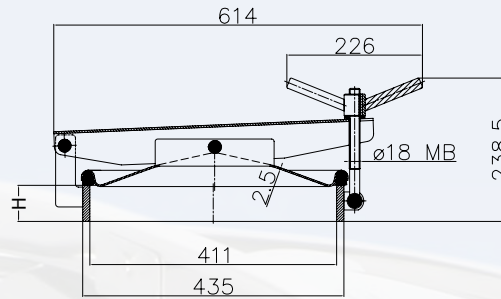
Frame (H) = 60 x 8 mm  
 Weight 19,0 kg

Code	Mat.	Gasket
P2-B2-610-1.4301/P	304	PARA
P2-B2-612-1.4301/P	304	PARA

coding of variants:  
 P2 Manholes II.  
 B2 Model  
 610 Frame (H) 60 x 10 mm  
 612 Frame (H) 60 x 12 mm  
 1.4301/1.4404 Manhole material  
 P/E/N/S/V Gasket material

Frame (H) 60 x 10 mm = 22,5 kg  
 Frame (H) 60 x 12 mm = 24,5 kg

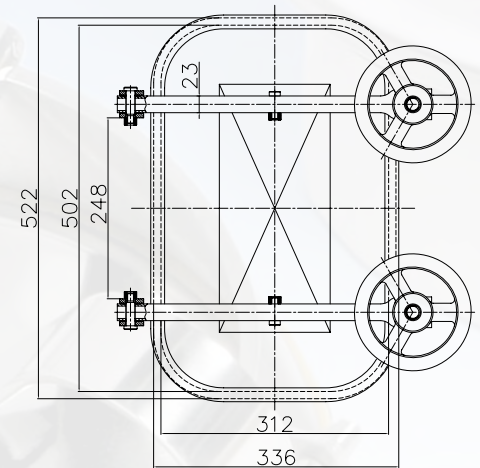
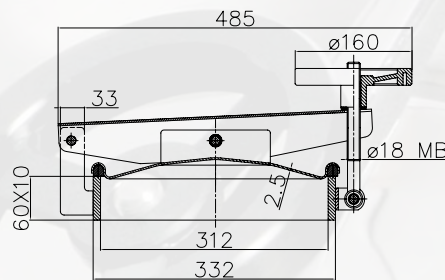
# B2E (economical)



**Rectangular manhole door for winemakers:** B2E  
**Dimensions:** 530 x 410 mm  
**Max. working pressure:** -1,0/+1,0 bar  
**Standard handle:** VLT18RZ202L  
**Opening:** vertical outward  
**Material:** AISI 304 or AISI 316L  
**Standard gasket:** natural rubber (PARA)  
**Gasket on request:** EPDM, Silicone, NBR, VITON  
**Surface:** polished cover, satin frame

Code	Mat.	Gasket	Code	Mat.	Gasket
P2-B2E-100-1.4301/P	304	PARA	P2-B2E-608-1.4301/P	304	PARA
P2-B2E-100-1.4301/E	304	EPDM	P2-B2E-610-1.4301/P	304	PARA
P2-B2E-100-1.4301/N	304	NBR	<b>coding of variants:</b>		
P2-B2E-100-1.4301/S	304	Silicone	<b>P2</b>	Manholes II.	
P2-B2E-100-1.4301/V	304	VITON	<b>B2E</b>	Model	<b>kg</b>
P2-B2E-100-1.4404/P	316L	PARA	<b>608</b>	Frame (H) 60 x 8 mm	19,0
P2-B2E-100-1.4404/E	316L	EPDM	<b>610</b>	Frame (H) 60 x 10 mm	20,7
P2-B2E-100-1.4404/N	316L	NBR	<b>612</b>	Frame (H) 60 x 12 mm	22,4
P2-B2E-100-1.4404/S	316L	Silicone	<b>810</b>	Frame (H) 80 x 10 mm	23,6
P2-B2E-100-1.4404/V	316L	VITON	<b>1.4301/1.4404</b> Manhole material		
<b>Frame (H) 100 x 10</b>			<b>P/E/N/S/V</b> Gasket material		
<b>Weight 26,4 kg</b>					

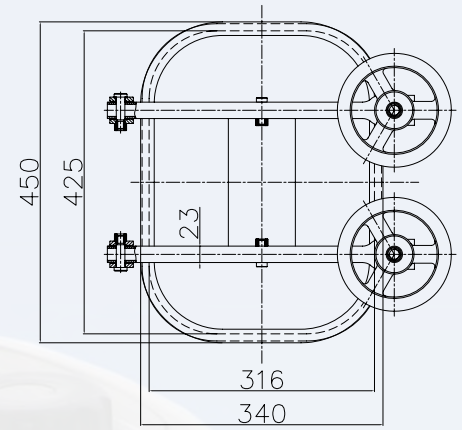
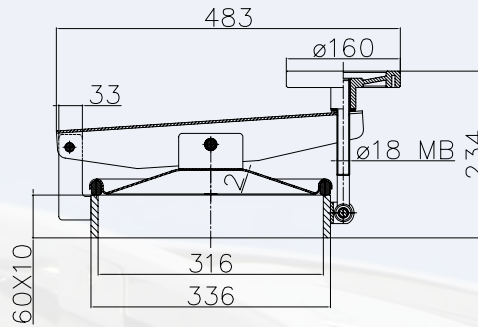
# B3



**Rectangular manhole door model:** B3  
**Dimensions:** 500 x 310 mm  
**Max. working pressure:** -1,0/+1,3 bar  
**Standard handle:** VLT1816004  
**Opening:** outward  
**Material:** AISI 304  
**Standard gasket:** natural rubber (PARA)  
**Gasket on request:** EPDM, Silicone, NBR, VITON  
**Surface:** polished cover, satin frame

Code	Mat.	Gasket
P2-B3-1.4301/P	304	PARA
P2-B3-1.4301/E	304	EPDM
P2-B3-1.4301/N	304	NBR
P2-B3-1.4301/S	304	Silicone
P2-B3-1.4301/V	304	VITON
<b>Weight 16,8 kg</b>		

# B4



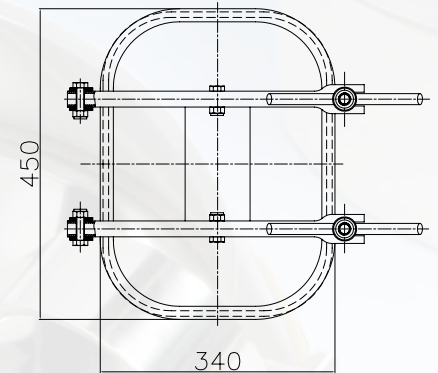
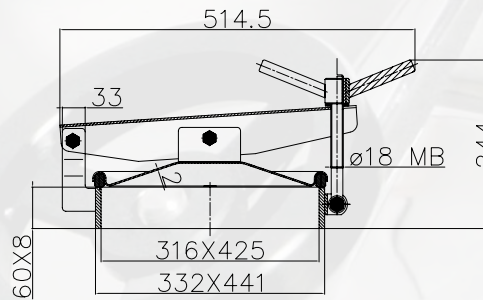
<b>Rectangular manhole door model:</b>	B4
<b>Dimensions:</b>	420 x 310 mm
<b>Max. working pressure:</b>	-1,0/+1,6 bar
<b>Standard handle:</b>	VLT1816004
<b>Opening:</b>	outward
<b>Material:</b>	AISI 304 or AISI 316L
<b>Standard gasket:</b>	natural rubber (PARA)
<b>Gasket on request:</b>	EPDM, Silicone, NBR, VITON
<b>Surface:</b>	polished cover, satin frame
<b>Height of the frame on request:</b>	max. 160 mm

Code	Mat.	Gasket
P2-B4-060-1.4301/P	304	PARA
P2-B4-060-1.4301/E	304	EPDM
P2-B4-060-1.4301/N	304	NBR
P2-B4-060-1.4301/S	304	Silicone
P2-B4-060-1.4301/V	304	VITON
P2-B4-060-1.4404/P	316L	PARA
P2-B4-060-1.4404/E	316L	EPDM
P2-B4-060-1.4404/N	316L	NBR
P2-B4-060-1.4404/S	316L	Silicone
P2-B4-060-1.4404/V	316L	VITON

Frame (H) = 60 x 10 mm

Weight 14,6 kg

# B4E (economical)



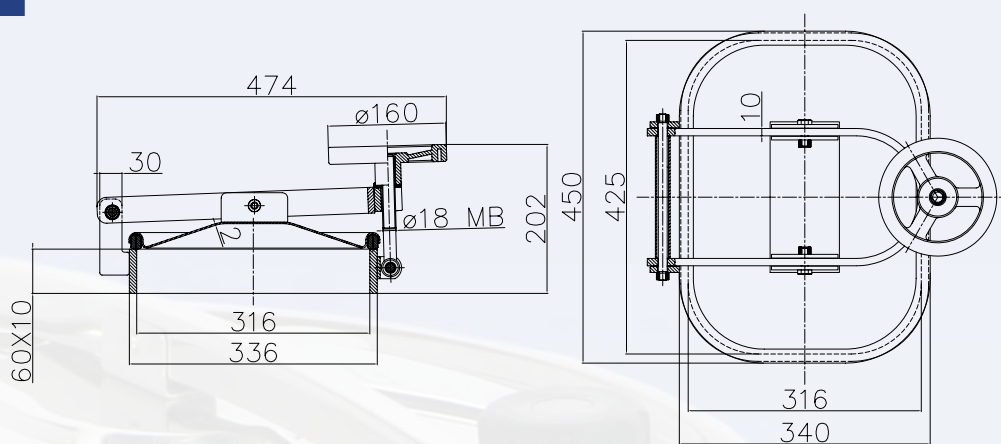
<b>Rectangular manhole door model:</b>	B4E
<b>Dimensions:</b>	420 x 310 mm
<b>Max. working pressure:</b>	-1,0/+1,4 bar
<b>Standard handle:</b>	VLT18RZ202L
<b>Opening:</b>	outward
<b>Material:</b>	AISI 304 or AISI 316L
<b>Standard gasket:</b>	natural rubber (PARA)
<b>Gasket on request:</b>	EPDM, Silicone, NBR, VITON
<b>Surface:</b>	polished cover, satin frame
<b>Height of the frame on request:</b>	max. 160 mm

Code	Mat.	Gasket
P2-B4E-060-1.4301/P	304	PARA
P2-B4E-060-1.4301/E	304	EPDM
P2-B4E-060-1.4301/N	304	NBR
P2-B4E-060-1.4301/S	304	Silicone
P2-B4E-060-1.4301/V	304	VITON
P2-B4E-060-1.4404/P	316L	PARA
P2-B4E-060-1.4404/E	316L	EPDM
P2-B4E-060-1.4404/N	316L	NBR
P2-B4E-060-1.4404/S	316L	Silicone
P2-B4E-060-1.4404/V	316L	VITON

Frame (H) = 60 x 8 mm

Weight 14,6 kg

# B5



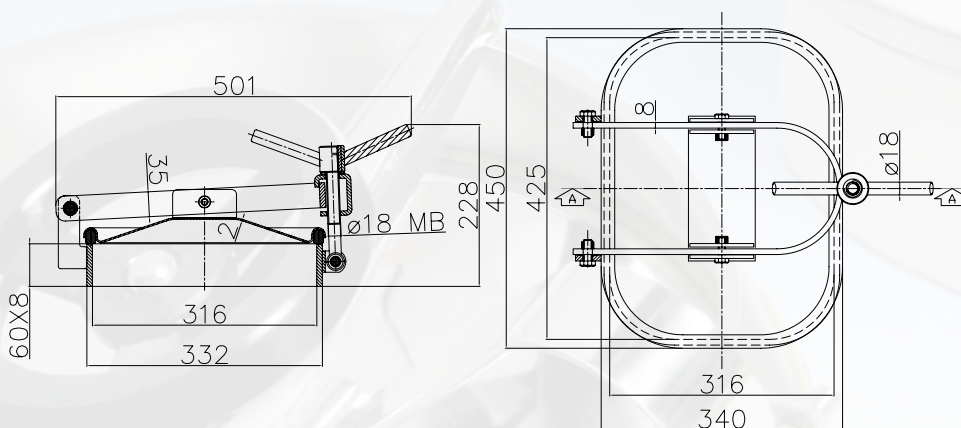
**Rectangular manhole door model:** B5  
**Dimensions:** 420 x 310 mm  
**Max. working pressure:** -1,0/+0,7 bar  
**Standard handle:** VLT1816004  
**Opening:** outward  
**Material:** AISI 304 or AISI 316L  
**Standard gasket:** natural rubber (PARA)  
**Gasket on request:** EPDM, Silicone, NBR, VITON  
**Surface:** polished cover, satin frame  
**Height of the frame on request:** max. 160 mm

Code	Mat.	Gasket
P2-B5-060-1.4301/P	304	PARA
P2-B5-060-1.4301/E	304	EPDM
P2-B5-060-1.4301/N	304	NBR
P2-B5-060-1.4301/S	304	Silicone
P2-B5-060-1.4301/V	304	VITON
P2-B5-060-1.4404/P	316L	PARA
P2-B5-060-1.4404/E	316L	EPDM
P2-B5-060-1.4404/N	316L	NBR
P2-B5-060-1.4404/S	316L	Silicone
P2-B5-060-1.4404/V	316L	VITON

Frame (H) = 60 x 10 mm

Weight 13,6 kg

# B5E (economical)



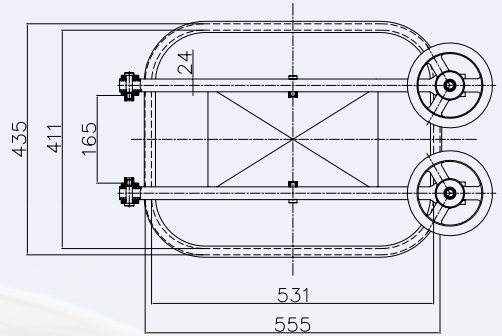
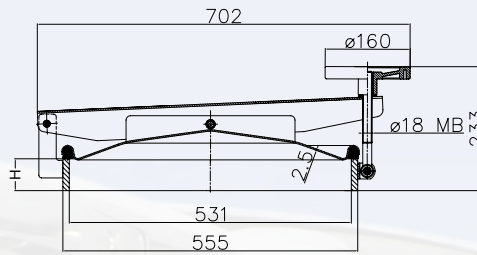
**Rectangular manhole model:** B5E  
**Dimensions:** 420 x 310 mm  
**Max. working pressure:** -1,0/+0,6 bar  
**Standard handle:** VLT18RZ202L  
**Opening:** outward  
**Material:** AISI 304 or AISI 316L  
**Standard gasket:** natural rubber (PARA)  
**Gasket on request:** EPDM, Silicone, NBR, VITON  
**Surface:** polished cover, satin frame  
**Height of the frame on request:** max. 160 mm

Code	Mat.	Gasket
P2-B5E-060-1.4301/P	304	PARA
P2-B5E-060-1.4301/E	304	EPDM
P2-B5E-060-1.4301/N	304	NBR
P2-B5E-060-1.4301/S	304	Silicone
P2-B5E-060-1.4301/V	304	VITON
P2-B5E-060-1.4404/P	316L	PARA
P2-B5E-060-1.4404/E	316L	EPDM
P2-B5E-060-1.4404/N	316L	NBR
P2-B5E-060-1.4404/S	316L	Silicone
P2-B5E-060-1.4404/V	316L	VITON

Frame (H) = 60 x 8 mm

Weight 11,9 kg

# B6

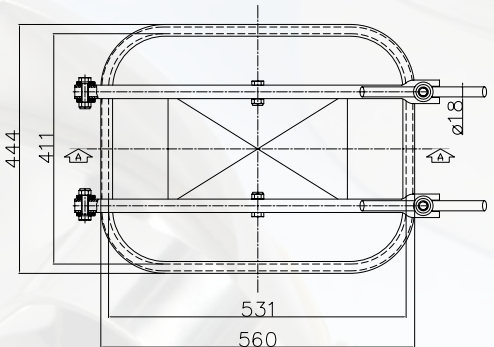
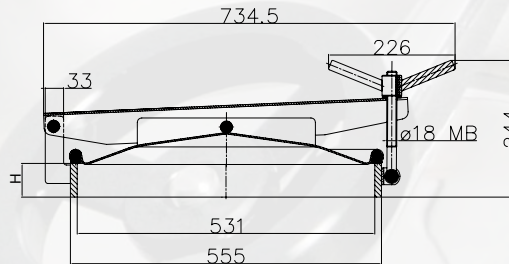


**Rectangular manhole door for winemakers:** B6  
**Dimensions:** 530 x 410 mm  
**Max. working pressure:** -1,0/+1,1 bar  
**Standard handle:** VLT1816004  
**Opening:** horizontal outward  
**Material:** AISI 304 or AISI 316L  
**Standard gasket:** natural rubber (PARA)  
**Gasket on request:** EPDM, Silicone, NBR, VITON  
**Surface:** polished cover, satin frame  
**Height of the frame on request:** max. 160 mm

Code	Mat.	Gasket
P2-B6-608-1.4301/P	304	PARA
P2-B6-608-1.4301/E	304	EPDM
P2-B6-608-1.4301/N	304	NBR
P2-B6-608-1.4301/S	304	Silicone
P2-B6-608-1.4301/V	304	VITON
P2-B6-608-1.4404/P	316L	PARA
P2-B6-608-1.4404/E	316L	EPDM
P2-B6-608-1.4404/N	316L	NBR
P2-B6-608-1.4404/S	316L	Silicone
P2-B6-608-1.4404/V	316L	VITON
<b>Frame (H) 60 x 8</b>		
<b>Weight 22,0 kg</b>		

Code	Mat.	Gasket
P2-B6-610-1.4301/P	304	PARA
P2-B6-612-1.4301/P	304	PARA
<b>coding of variants:</b>		
<b>P2</b>	Manholes II.	
<b>B6</b>	Model	
<b>608</b>	Frame (H) 60 x 8 mm	
<b>610</b>	Frame (H) 60 x 10 mm	
<b>612</b>	Frame (H) 60 x 12 mm	
<b>1.4301/1.4404</b>	Manhole material	
<b>P/E/N/S/V</b>	Gasket material	
<b>Frame (H) 60 x 10 = 23,5 kg</b>		
<b>Frame (H) 60 x 12 = 25,5 kg</b>		

# B6E (economical)



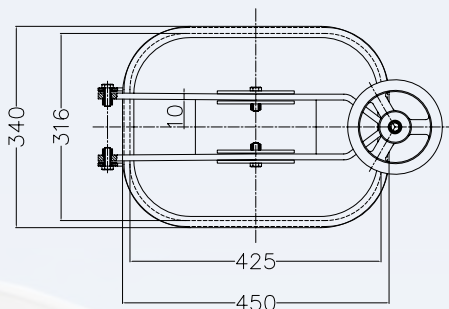
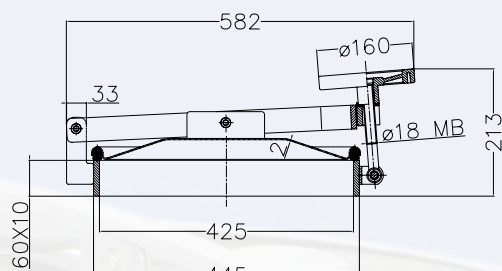
**Rectangular manhole door for winemakers:** B6E  
**Dimensions:** 530 x 410 mm  
**Max. working pressure:** -1,0/+1,0 bar  
**Standard handle:** VLT18RZ202L  
**Opening:** horizontal outward  
**Material:** AISI 304 or AISI 316L  
**Standard gasket:** natural rubber (PARA)  
**Gasket on request:** EPDM, Silicone, NBR, VITON  
**Surface:** polished cover, satin frame  
**Height of the frame on request:** max. 160 mm

Code	Mat.	Gasket
P2-B6E-608-1.4301/P	304	PARA
P2-B6E-608-1.4301/E	304	EPDM
P2-B6E-608-1.4301/N	304	NBR
P2-B6E-608-1.4301/S	304	Silicone
P2-B6E-608-1.4301/V	304	VITON
P2-B6E-608-1.4404/P	316L	PARA
P2-B6E-608-1.4404/E	316L	EPDM
P2-B6E-608-1.4404/N	316L	NBR
P2-B6E-608-1.4404/S	316L	Silicone
P2-B6E-608-1.4404/V	316L	VITON
<b>Frame (H) 60 x 8</b>		
<b>Weight 22,0 kg</b>		

Code	
<b>coding of variants:</b>	
<b>P2</b>	Manholes II.
<b>B6E</b>	Model
<b>608</b>	Frame (H) 60 x 8 mm
<b>610</b>	Frame (H) 60 x 10 mm
<b>612</b>	Frame (H) 60 x 12 mm
<b>810</b>	Frame (H) 80 x 10 mm
<b>100</b>	Frame (H) 100 x 10 mm
<b>1.4301/1.4404</b>	Manhole material
<b>P/E/N/S/V</b>	Gasket material
<b>610 = 23,5 kg / 612 = 25,5 kg</b>	
<b>810 = 25,7 kg / 100 = 28,5 kg</b>	



# B7



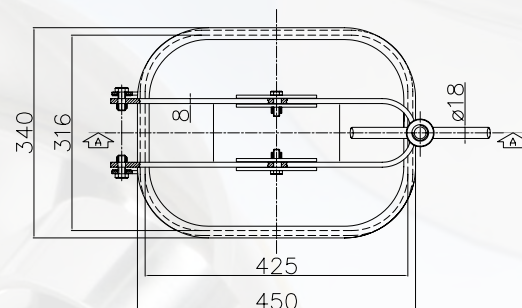
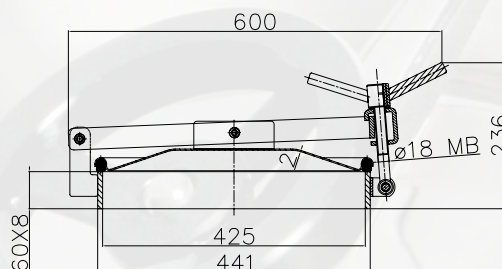
- Rectangular manhole door for winemakers:** B7  
**Dimensions:** 420 x 310 mm  
**Max. working pressure:** 0,6 bar  
**Standard handle:** VLT1816004  
**Opening:** horizontal outward  
**Material:** AISI 304 or AISI 316L  
**Standard gasket:** natural rubber (PARA)  
**Gasket on request:** EPDM, Silicone, NBR, VITON  
**Surface:** polished cover, satin frame  
**Height of the frame on request:** max. 160 mm

Code	Mat.	Gasket
P2-B7-060-1.4301/P	304	PARA
P2-B7-060-1.4301/E	304	EPDM
P2-B7-060-1.4301/N	304	NBR
P2-B7-060-1.4301/S	304	Silicone
P2-B7-060-1.4301/V	304	VITON
P2-B7-060-1.4404/P	316L	PARA
P2-B7-060-1.4404/E	316L	EPDM
P2-B7-060-1.4404/N	316L	NBR
P2-B7-060-1.4404/S	316L	Silicone
P2-B7-060-1.4404/V	316L	VITON

Frame (H) = 60 x 10 mm

Weight 15 kg

# B7E (economical)



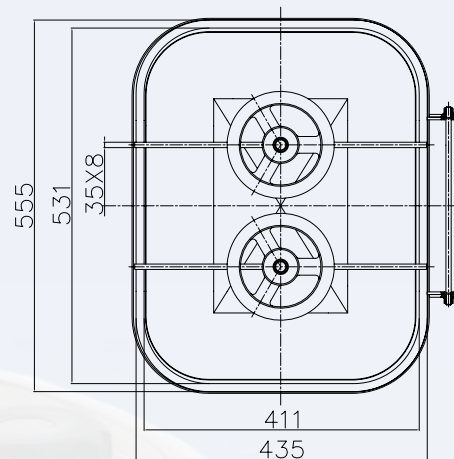
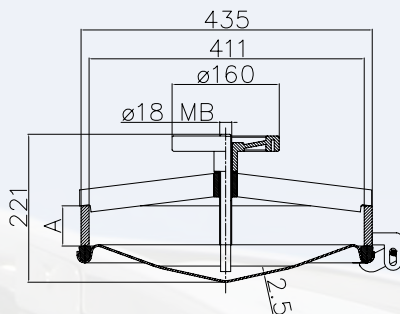
- Rectangular manhole door for winemakers:** B7E  
**Dimensions:** 420 x 310 mm  
**Max. working pressure:** -1,0/+0,5 bar  
**Standard handle:** VLT18RZ202L  
**Opening:** horizontal outward  
**Material:** AISI 304 or AISI 316L  
**Standard gasket:** natural rubber (PARA)  
**Gasket on request:** EPDM, Silicone, NBR, VITON  
**Surface:** polished cover, satin frame  
**Height of the frame on request:** max. 160 mm

Code	Mat.	Gasket
P2-B7E-060-1.4301/P	304	PARA
P2-B7E-060-1.4301/E	304	EPDM
P2-B7E-060-1.4301/N	304	NBR
P2-B7E-060-1.4301/S	304	Silicone
P2-B7E-060-1.4301/V	304	VITON
P2-B7E-060-1.4404/P	316L	PARA
P2-B7E-060-1.4404/E	316L	EPDM
P2-B7E-060-1.4404/N	316L	NBR
P2-B7E-060-1.4404/S	316L	Silicone
P2-B7E-060-1.4404/V	316L	VITON

Frame (H) = 60 x 8 mm

Weight 12,6 kg

# B12



**Rectangular manhole door model:**

**Dimensions:**

**Max. working pressure:**

**Standard handle:**

**Opening:**

**Material:**

**Standard gasket:**

**Gasket on request:**

**Surface:**

B12

530 x 410 mm

2,2 bar

VLT1816004

vertikal inward

AISI 304 or AISI 316L

natural rubber (PARA)

EPDM, Silicone, NBR, VITON

polished cover, satin frame

Code	Mat.	Gasket
P2-B12-608-1.4301/P	304	PARA
P2-B12-608-1.4301/E	304	EPDM
P2-B12-608-1.4301/N	304	NBR
P2-B12-608-1.4301/S	304	Silicone
P2-B12-608-1.4301/V	304	VITON
P2-B12-608-1.4404/P	316L	PARA
P2-B12-608-1.4404/E	316L	EPDM
P2-B12-608-1.4404/N	316L	NBR
P2-B12-608-1.4404/S	316L	Silicone
P2-B12-608-1.4404/V	316L	VITON

Frame (H) 60 x 8

Weight 16,4 kg

Code	Mat.	Gasket
P2-B12-610-1.4301/P	304	PARA
P2-B12-612-1.4301/P	304	PARA

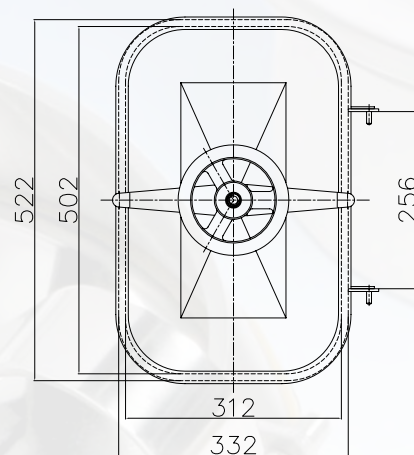
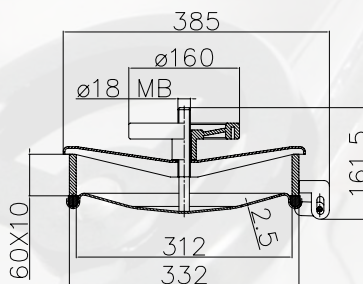
coding of variants:

P2	Manholes II.
B12	Model
608	Frame (H) 60 x 8 mm
610	Frame (H) 60 x 10 mm
612	Frame (H) 60 x 12 mm
1.4301/1.4404	Manhole material
P/E/N/S/V	Gasket material

Frame (H) 60 x 10 = 17,9 kg

Frame (H) 60 x 12 = 19,4 kg

# B13



**Rectangular manhole door model:**

**Dimensions:**

**Max. working pressure:**

**Standard handle:**

**Opening:**

**Material:**

**Standard gasket:**

**Gasket on request:**

**Surface:**

B13

500 x 310 mm

2,0 bar

VLT1816004

vertikal inward

AISI 304 or AISI 316L

natural rubber (PARA)

EPDM, Silicone, NBR, VITON

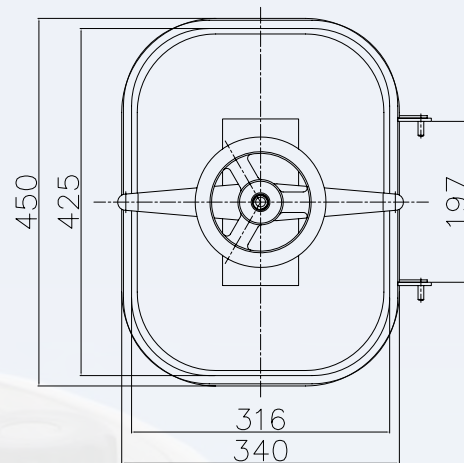
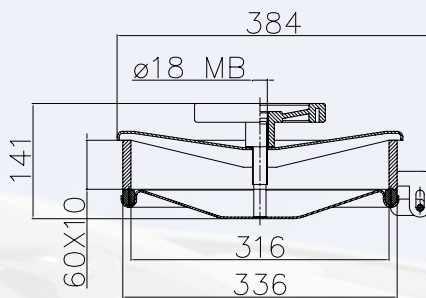
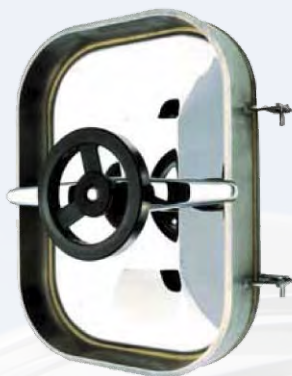
polished cover, satin frame

Code	Mat.	Gasket
P2-B13-1.4301/P	304	PARA
P2-B13-1.4301/E	304	EPDM
P2-B13-1.4301/N	304	NBR
P2-B13-1.4301/S	304	Silicone
P2-B13-1.4301/V	304	VITON
P2-B13-1.4404/P	316L	PARA
P2-B13-1.4404/E	316L	EPDM
P2-B13-1.4404/N	316L	NBR
P2-B13-1.4404/S	316L	Silicone
P2-B13-1.4404/V	316L	VITON

Frame (H) = 60 x 10 mm

Weight 12,3 kg

# B14



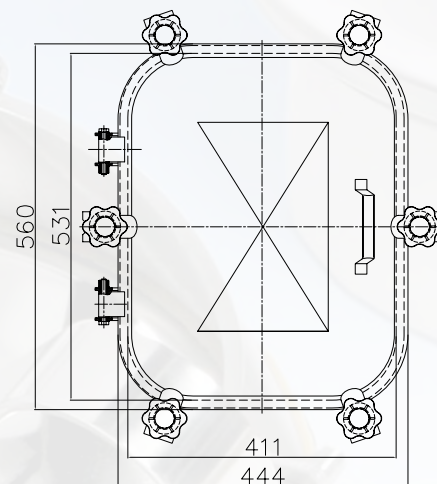
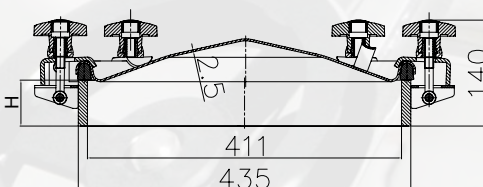
**Rectangular manhole door model:** B14  
**Dimensions:** 420 x 310 mm  
**Max. working pressure:** 2,0 bar  
**Standard handle:** VLT1816004  
**Opening:** inward  
**Material:** AISI 304 or AISI 316L  
**Standard gasket:** natural rubber (PARA)  
**Gasket on request:** EPDM, Silicone, NBR, VITON  
**Surface:** polished cover, satin frame

Code	Mat.	Gasket
P2-B14-1.4301/P	304	PARA
P2-B14-1.4301/E	304	EPDM
P2-B14-1.4301/N	304	NBR
P2-B14-1.4301/S	304	Silicone
P2-B14-1.4301/V	304	VITON
P2-B14-1.4404/P	316L	PARA
P2-B14-1.4404/E	316L	EPDM
P2-B14-1.4404/N	316L	NBR
P2-B14-1.4404/S	316L	Silicone
P2-B14-1.4404/V	316L	VITON

Frame (H) = 60 x 10 mm

Weight 10,2 kg

# B23



**Rectangular manhole door for wine cooper:** B23  
**Dimensions:** 530 x 410 mm  
**Max. working pressure:** -1,0/+0,6 bar  
**Standard handle:** VLT1207004  
**Opening:** vertical outward  
**Material:** AISI 304 or AISI 316L  
**Standard gasket:** natural rubber (PARA)  
**Gasket on request:** EPDM, Silicone, NBR, VITON  
**Surface:** polished cover, satin frame

Code	Mat.	Gasket	Code	Mat.	Gasket
P2-B23-608-1.4301/P	304	PARA	P2-B23-610-1.4301/P	304	PARA
P2-B23-608-1.4301/E	304	EPDM	P2-B23-612-1.4301/P	304	PARA
P2-B23-608-1.4301/N	304	NBR	<b>coding of variants:</b>		
P2-B23-608-1.4301/S	304	Silicone	<b>P2</b>	Manholes II.	
P2-B23-608-1.4301/V	304	VITON	<b>B23</b>	Model	
P2-B23-608-1.4404/P	316L	PARA	<b>608</b>	Frame (H) 60 x 8 mm	
P2-B23-608-1.4404/E	316L	EPDM	<b>610</b>	Frame (H) 60 x 10 mm	
P2-B23-608-1.4404/N	316L	NBR	<b>612</b>	Frame (H) 60 x 12 mm	
P2-B23-608-1.4404/S	316L	Silicone	<b>1.4301/1.4404</b>	Manhole material	
P2-B23-608-1.4404/V	316L	VITON	<b>P/E/N/S/V</b>	Gasket material	

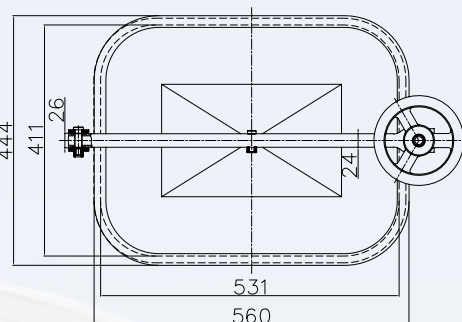
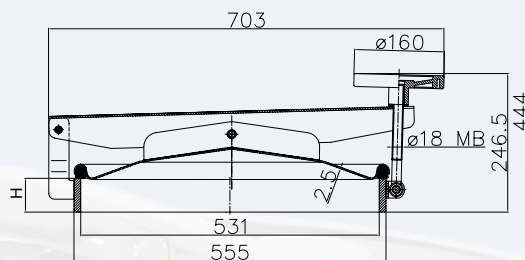
Frame (H) 60 x 8

Weight 15,0 kg

Frame (H) 60 x 10 = 16,8 kg

Frame (H) 60 x 12 = 18,4 kg

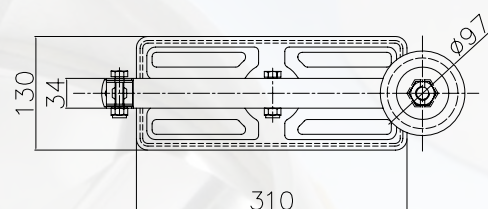
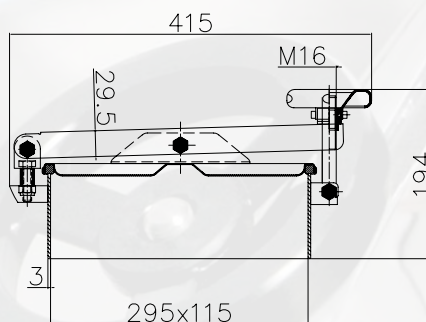
# B24



**Rectangular manhole door for wine cooper:** B24  
**Dimensions:** 530 x 410 mm  
**Max. working pressure:** -1,0/+0,4 bar  
**Standard handle:** VLT1816004  
**Opening:** vertical outward  
**Material:** AISI 304 or AISI 316L  
**Standard gasket:** natural rubber (PARA)  
**Gasket on request:** EPDM, Silicone, NBR, VITON  
**Surface:** polished cover, satin frame

Code	Mat.	Gasket	Code	Mat.	Gasket
P2-B24-608-1.4301/P	304	PARA	P2-B24-610-1.4301/P	304	PARA
P2-B24-608-1.4301/E	304	EPDM	P2-B24-612-1.4301/P	304	PARA
P2-B24-608-1.4301/N	304	NBR	<b>coding of variants:</b>		
P2-B24-608-1.4301/S	304	Silicone	<b>P2</b>	Manholes II.	
P2-B24-608-1.4301/V	304	VITON	<b>B24</b>	Model	
P2-B24-608-1.4404/P	316L	PARA	<b>608</b>	Frame (H) 60 x 8 mm	
P2-B24-608-1.4404/E	316L	EPDM	<b>610</b>	Frame (H) 60 x 10 mm	
P2-B24-608-1.4404/N	316L	NBR	<b>612</b>	Frame (H) 60 x 12 mm	
P2-B24-608-1.4404/S	316L	Silicone	<b>1.4301/1.4404</b>	Manhole material	
P2-B24-608-1.4404/V	316L	VITON	<b>P/E/N/S/V</b>	Gasket material	
<b>Frame (H) 60 x 8</b>			<b>Frame (H) 60 x 10 = 18,7 kg</b>		
<b>Weight 16,8 kg</b>			<b>Frame (H) 60 x 12 = 20,2 kg</b>		

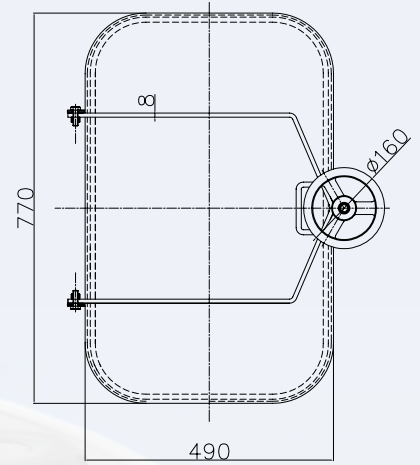
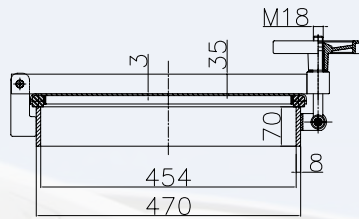
# D27



**Upper lid model:** D27  
**Dimensions:** 295 x 115 mm  
**Max. working pressure:** 0,02 bar  
**Standard handle:** VLT1209001S  
**Opening:** outward  
**Material:** AISI 304 or AISI 316L  
**Standard gasket:** natural rubber (PARA)  
**Gasket on request:** EPDM, Silicone, NBR, VITON  
**Surface:** cover elektrochem.-polished, satin frame

Code	Mat.	Gasket
P2-D27-1.4301/P	304	PARA
P2-D27-1.4301/E	304	EPDM
P2-D27-1.4301/N	304	NBR
P2-D27-1.4301/S	304	Silicone
P2-D27-1.4301/V	304	VITON
P2-D27-1.4404/P	316L	PARA
P2-D27-1.4404/E	316L	EPDM
P2-D27-1.4404/N	316L	NBR
P2-D27-1.4404/S	316L	Silicone
P2-D27-1.4404/V	316L	VITON
<b>Weight 4,0 kg</b>		

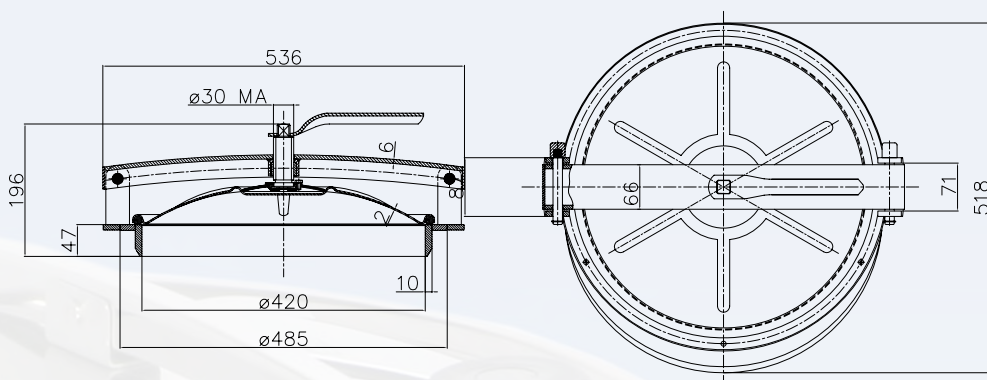
# D33



<b>Upper lid model:</b>	D33
<b>Dimensions:</b>	740 x 450 mm
<b>Max. working pressure:</b>	-0,1 bar
<b>Standard handle:</b>	VLT1816004
<b>Opening:</b>	outward
<b>Material:</b>	AISI 304 or AISI 316L
<b>Standard gasket:</b>	natural rubber (PARA)
<b>Gasket on request:</b>	EPDM, Silicone, NBR, VITON
<b>Surface:</b>	cover elektrochem.-polished, satin frame
<b>Height of the frame on request</b>	

Code	Mat.	Gasket
P2-D33-708-1.4301/P	304	PARA
P2-D33-708-1.4301/E	304	EPDM
P2-D33-708-1.4301/N	304	NBR
P2-D33-708-1.4301/S	304	Silicone
P2-D33-708-1.4301/V	304	VITON
P2-D33-708-1.4404/P	316L	PARA
P2-D33-708-1.4404/E	316L	EPDM
P2-D33-708-1.4404/N	316L	NBR
P2-D33-708-1.4404/S	316L	Silicone
P2-D33-708-1.4404/V	316L	VITON
<b>Frame (H) = 70 x 8 mm</b>		
<b>Weight 27 kg</b>		

# C1



**Manhole door for wine cooper model:**

**Dimensions:**

C1  
Ø 420 mm

**Max. working pressure standard:**

-1/+0,8 bar

**heavy:**

-1/+1,3 bar

**Standard handle:**

CHVQDRZ101

**Material:**

AISI 304 or AISI 316L

**Standard gasket:**

natural rubber (PARA)

**Gasket on request:**

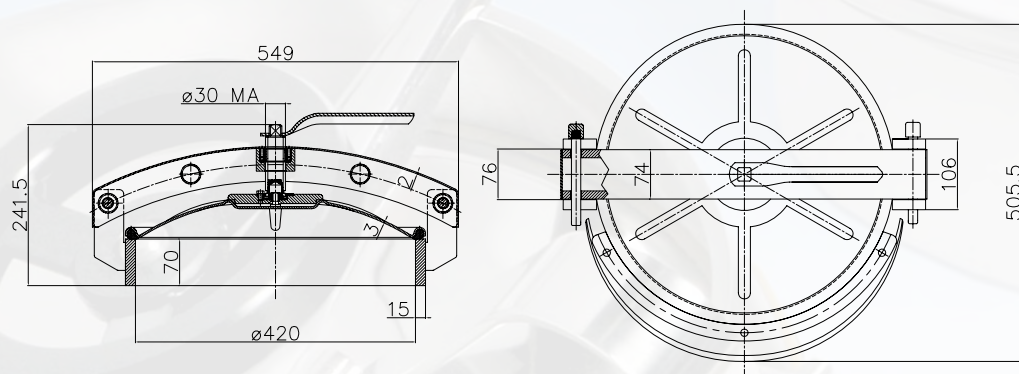
EPDM, Silicone, NBR, VITON

**Surface:**

polished cover, satin frame

Standard			Heavy		
Code Standard	Mat.	Gasket	Code Heavy	Mat.	Gasket
P2-C1-S-1.4301/P	304	PARA	P2-C1-H-1.4301/P	304	PARA
P2-C1-S-1.4301/E	304	EPDM	P2-C1-H-1.4301/E	304	EPDM
P2-C1-S-1.4301/N	304	NBR	P2-C1-H-1.4301/N	304	NBR
P2-C1-S-1.4301/S	304	Silicone	P2-C1-H-1.4301/S	304	Silicone
P2-C1-S-1.4301/V	304	VITON	P2-C1-H-1.4301/V	304	VITON
P2-C1-S-1.4404/P	316L	PARA	P2-C1-H-1.4404/P	316L	PARA
P2-C1-S-1.4404/E	316L	EPDM	P2-C1-H-1.4404/E	316L	EPDM
P2-C1-S-1.4404/N	316L	NBR	P2-C1-H-1.4404/N	316L	NBR
P2-C1-S-1.4404/S	316L	Silicone	P2-C1-H-1.4404/S	316L	Silicone
P2-C1-S-1.4404/V	316L	VITON	P2-C1-H-1.4404/V	316L	VITON
<b>Standard</b>			<b>Heavy</b>		
<b>Weight 16,0 kg</b>			<b>Weight 20,0 kg</b>		

# C2



**“Super Extra” manhole door model:**

**Dimensions:**

C2  
Ø 420 mm

**Max. working pressure:**

-1/+3,5 bar

**Standard handle:**

CHVQDRZ101

**Material:**

AISI 304 or AISI 316L

**Standard gasket:**

natural rubber (PARA)

**Gasket on request:**

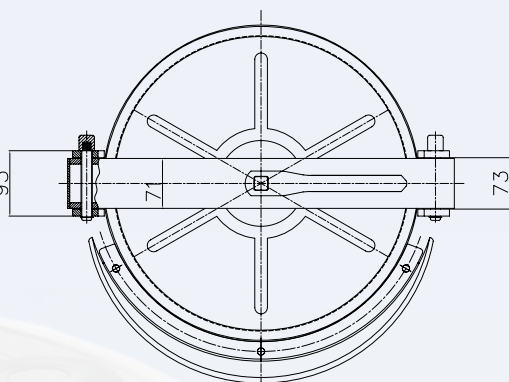
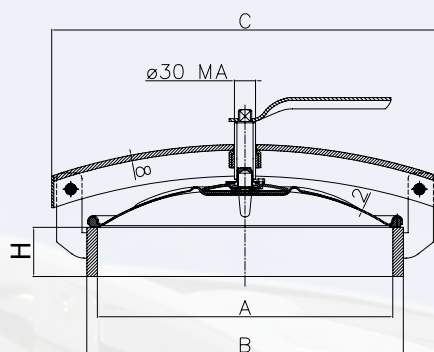
EPDM, Silicone, NBR, VITON

**Surface:**

polished cover, satin frame

Code	Mat.	Gasket
P2-C2-1.4301/P	304	PARA
P2-C2-1.4301/E	304	EPDM
P2-C2-1.4301/N	304	NBR
P2-C2-1.4301/S	304	Silicone
P2-C2-1.4301/V	304	VITON
P2-C2-1.4404/P	316L	PARA
P2-C2-1.4404/E	316L	EPDM
P2-C2-1.4404/N	316L	NBR
P2-C2-1.4404/S	316L	Silicone
P2-C2-1.4404/V	316L	VITON
<b>Weight 28,4 kg</b>		

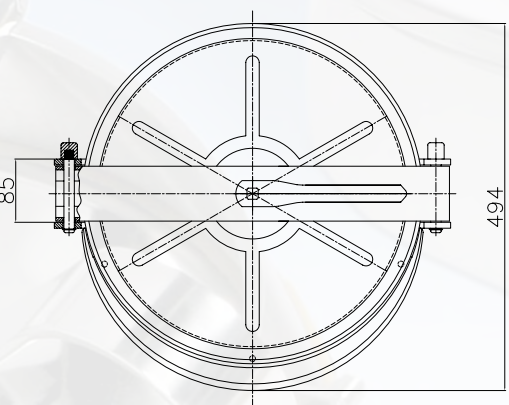
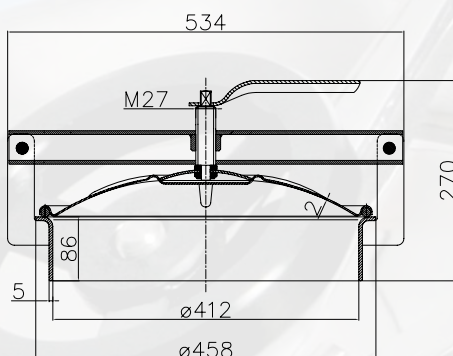
# C3



**“Super Extra” manhole door for wine cooper:** C3  
**Dimensions:** Ø 300 / 360 / 420 / 500 mm  
**Max. working pressure 300 / 360 / 420:** -1,0/+1,3 bar  
**500:** -1,0/+0,7 bar  
**Standard handle:** CHVQDRZ101  
**Material:** AISI 304 or AISI 316L  
**Standard gasket:** natural rubber (PARA)  
**Gasket on request:** EPDM, Silicone, NBR, VITON  
**Surface:** polished cover, satin frame

Code	Mat.	Gasket	Code	Mat.	Gasket	
P2-C3-300-1.4301/P	304	PARA	P2-C3-360-1.4301/P	304	PARA	
P2-C3-300-1.4301/E	304	EPDM	<b>coding of variants:</b>			
P2-C3-300-1.4301/N	304	NBR	P2 Manholes II.			
P2-C3-300-1.4301/S	304	Silicone	C3 Model			
P2-C3-300-1.4301/V	304	VITON	Ø (A)	B	C	kg
P2-C3-300-1.4404/P	316L	PARA	300	330	430	17,0
P2-C3-300-1.4404/E	316L	EPDM	360	390	490	18,3
P2-C3-300-1.4404/N	316L	NBR	420	450	550	22,7
P2-C3-300-1.4404/S	316L	Silicone	500	530	630	32,0
P2-C3-300-1.4404/V	316L	VITON	1.4301/1.4404 Manhole material			
Ø 300 mm H = 70 x 15			P/E/N/S/V Gasket material			
Weight 17,0 kg			H = 70 x 15			

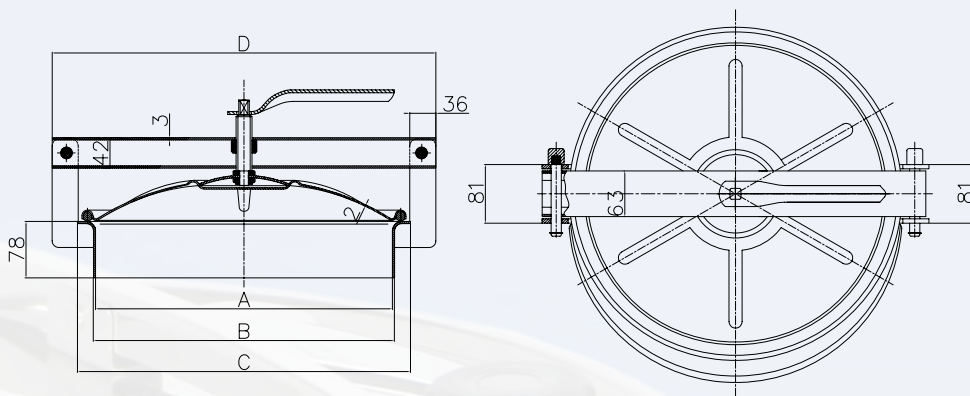
# C4



**Circular manhole door model:** C4  
**Dimensions:** Ø 420 mm  
**Max. working pressure:** -1/+0,9 bar  
**Standard handle:** CHVQDRZ102  
**Material:** AISI 304 or AISI 316L  
**Standard gasket:** natural rubber (PARA)  
**Gasket on request:** EPDM, Silicone, NBR, VITON  
**Surface:** polished cover, satin frame

Code	Mat.	Gasket
P2-C4-1.4301/P	304	PARA
P2-C4-1.4301/E	304	EPDM
P2-C4-1.4301/N	304	NBR
P2-C4-1.4301/S	304	Silicone
P2-C4-1.4301/V	304	VITON
P2-C4-1.4404/P	316L	PARA
P2-C4-1.4404/E	316L	EPDM
P2-C4-1.4404/N	316L	NBR
P2-C4-1.4404/S	316L	Silicone
P2-C4-1.4404/V	316L	VITON
Weight 14,6 kg		

# C5



## Circular manhole door model:

**Dimensions:**

**Max. working pressure:**

**Standard handle:**

**Material:**

**Standard gasket:**

**Gasket on request:**

**Surface:**

C5  
Ø 300 / 420 mm

-1/+0,7 bar

CHVQDRZ102

AISI 304 or AISI 316L

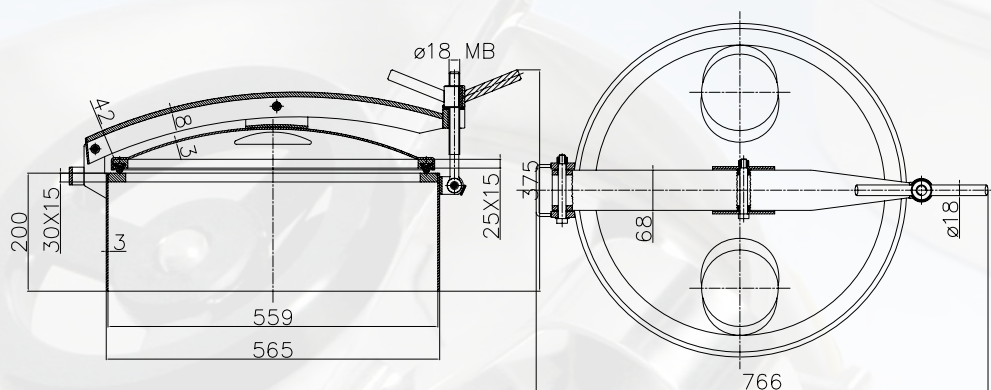
natural rubber (PARA)

EPDM, Silicone, NBR, VITON

cover polished, frame 2B

Code	Mat.	Gasket	Code	Mat.	Gasket
P2-C5-300-1.4301/P	304	PARA	P2-C5-420-1.4301/P	304	PARA
P2-C5-300-1.4301/E	304	EPDM	P2-C5-420-1.4301/E	304	EPDM
P2-C5-300-1.4301/N	304	NBR	P2-C5-420-1.4301/N	304	NBR
P2-C5-300-1.4301/S	304	Silicone	P2-C5-420-1.4301/S	304	Silicone
P2-C5-300-1.4301/V	304	VITON	P2-C5-420-1.4301/V	304	VITON
P2-C5-300-1.4404/P	316L	PARA	P2-C5-420-1.4404/P	316L	PARA
P2-C5-300-1.4404/E	316L	EPDM	P2-C5-420-1.4404/E	316L	EPDM
P2-C5-300-1.4404/N	316L	NBR	P2-C5-420-1.4404/N	316L	NBR
P2-C5-300-1.4404/S	316L	Silicone	P2-C5-420-1.4404/S	316L	Silicone
P2-C5-300-1.4404/V	316L	VITON	P2-C5-420-1.4404/V	316L	VITON
Ø 300 mm B=306 C=370 D=410			Ø 420 mm B=426 C=490 D=530		
Weight 8,0 kg			Weight 10,8 kg		

# D1



## Upper lid model:

**Dimensions:**

**Max. working pressure:**

**Standard handle:**

**Material:**

**Standard gasket:**

**Na požávku:**

**Surface:**

D1

Ø 500 mm

-1/+0,4 bar

VLT18RZ205L

AISI 304 or AISI 316L

hydrocarbon

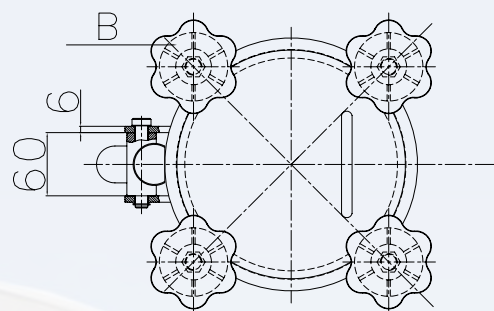
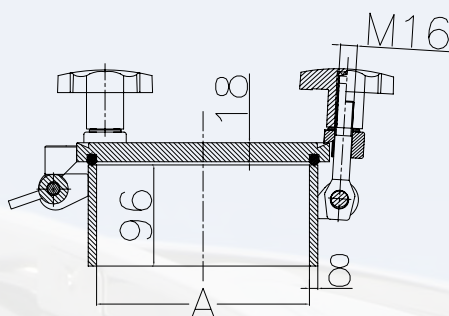
PARA, EPDM, Silicone, NBR, VITON

polished cover, satin frame

Code	Mat.	Gasket
P2-D1-1.4301/H	304	Hydrocarbon
P2-D1-1.4301/P	304	PARA
P2-D1-1.4301/E	304	EPDM
P2-D1-1.4301/N	304	NBR
P2-D1-1.4301/S	304	Silicone
P2-D1-1.4301/V	304	VITON
P2-D1-1.4404/H	316L	Hydrocarbon
P2-D1-1.4404/P	316L	PARA
P2-D1-1.4404/E	316L	EPDM
P2-D1-1.4404/N	316L	NBR
P2-D1-1.4404/S	316L	Silicone
P2-D1-1.4404/V	316L	VITON
Weight 42,0 kg		



# D2

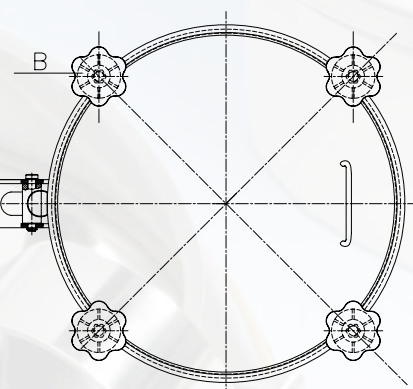
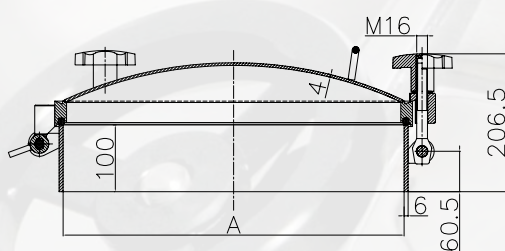


Upper lid model: D2  
 Dimensions: Ø 150 / 200 / 250 mm  
 Max. working pressure: -1,0/+15 bar  
 Standard handle: VLT1609004  
 Material: AISI 304 or AISI 316L  
 Standard gasket: Silicone  
 Gasket on request: EPDM, PARA, NBR, VITON  
 Height of the frame on request

Code	Mat.	Gasket
P2-D2-150/100-1.4301/P	304	PARA
P2-D2-150/100-1.4301/E	304	EPDM
P2-D2-150/100-1.4301/N	304	NBR
P2-D2-150/100-1.4301/S	304	Silicone
P2-D2-150/100-1.4301/V	304	VITON
P2-D2-150/100-1.4404/P	316L	PARA
P2-D2-150/100-1.4404/E	316L	EPDM
P2-D2-150/100-1.4404/N	316L	NBR
P2-D2-150/100-1.4404/S	316L	Silicone
P2-D2-150/100-1.4404/V	316L	VITON
Ø 150 mm A=154 H=96 mm		
B = 3 Weight 9,2 kg		

Code	Mat.	Gasket
P2-D2-200/100-1.4301/P	304	PARA
P2-D2-250/100-1.4301/P	304	PARA
coding of variants:		
P2	Manholes II.	
D2	Model	
200	Ø 200 mm	
250	Ø 250 mm	
/100	Height of frame	
1.4301/1.4404	Manhole material	
P/E/N/S/V	Gasket material	
Ø 200 mm = 13,5 kg A(202) B(4)		
Ø 250 mm = 16,4 kg A(250) B(4)		

# D2

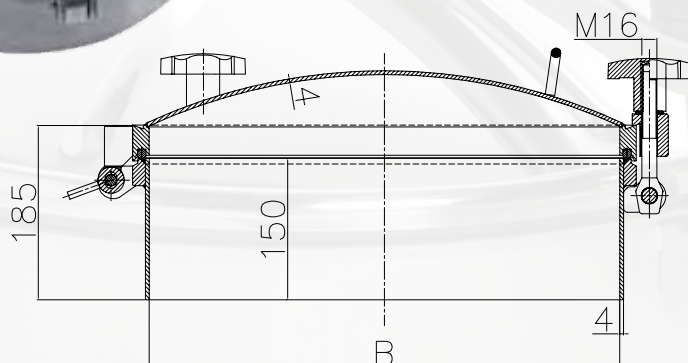
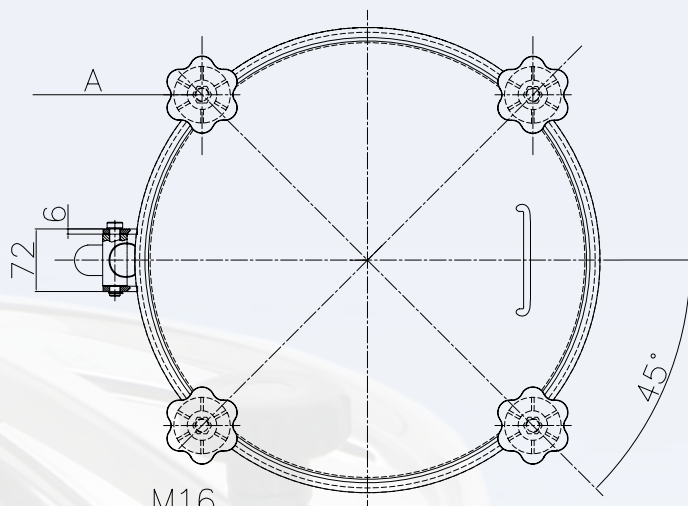


Upper lid model: D2  
 Dimensions: Ø 300/400/450/500/600/700/800 mm  
 Max. working pressure: -1,0/+1,0 bar  
 Standard handle: VLT1609004  
 Material: AISI 304 or AISI 316L  
 Standard gasket: Silicone  
 Gasket on request: EPDM, PARA, NBR, VITON  
 On request with dairy-nut or flanged sightglass  
 Height of the frame on request

Code	Mat.	Gasket
P2-D2-300/100-1.4301/P	304	PARA
P2-D2-300/100-1.4301/E	304	EPDM
P2-D2-300/100-1.4301/N	304	NBR
P2-D2-300/100-1.4301/S	304	Silicone
P2-D2-300/100-1.4301/V	304	VITON
P2-D2-300/100-1.4404/P	316L	PARA
P2-D2-300/100-1.4404/E	316L	EPDM
P2-D2-300/100-1.4404/N	316L	NBR
P2-D2-300/100-1.4404/S	316L	Silicone
P2-D2-300/100-1.4404/V	316L	VITON
Ø 300 mm (A=310) H=100 mm B(4)		
Weight 15,7 kg		

Obj. kód			
P2	Manholes II.		
D2	Model		
Ø	A	B	kg
400	410	No. 4	19,3
450	460	No. 4	21,8
500	510	No. 4	24,5
600	610	No. 6	30,0
700	700	No. 8	-
800	800	No. 8	-
/100	Height of frame		
1.4301/1.4404	Manhole material		
P/E/N/S/V	Gasket material		

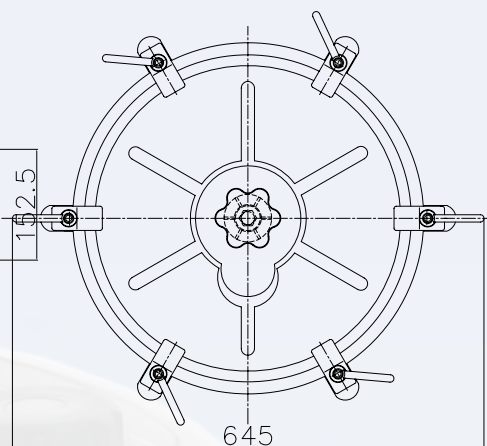
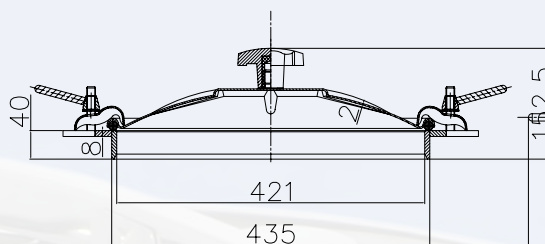
# D3



Upper lid model: **D3**  
 Standard handle: **VLT1609004**  
 Material: **AISI 304 or AISI 316L**  
 Standard gasket: **Silicone**  
 Gasket on request: **EPDM, PARA, NBR, VITON**  
 Height of frame on request  
 Sightglass on request (not in standard version)  
 (sightglass dairy-nut or flanged)

Code Ø 300 mm, A=4	Mat.	Gasket	Code				
P2-D3-304/150-1.4301/P	304	PARA	<b>coding of variants:</b>				
P2-D3-304/150-1.4301/E	304	EPDM	P2	Manholes II.			
P2-D3-304/150-1.4301/N	304	NBR	D3	Model			
P2-D3-304/150-1.4301/S	304	Silicone		<b>B (mm)</b>	<b>A (ovl.)</b>	<b>kg</b>	<b>bar</b>
P2-D3-304/150-1.4301/V	304	VITON	<b>304</b>	Ø 300	4	17,0	-1/+4
P2-D3-304/150-1.4404/P	316L	PARA	<b>306</b>	Ø 300	6	19,3	-1/+6
P2-D3-304/150-1.4404/E	316L	EPDM	<b>404</b>	Ø 400	4	23,7	-1/+4
P2-D3-304/150-1.4404/N	316L	NBR	<b>406</b>	Ø 400	6	26,0	-1/+6
P2-D3-304/150-1.4404/S	316L	Silicone	<b>456</b>	Ø 450	6	29,3	-1/+4
P2-D3-304/150-1.4404/V	316L	VITON	<b>458</b>	Ø 450	8	31,6	-1/+6
<b>Ø (B) 300, H=150, 4 handle (A)</b>			<b>506</b>	Ø 500	6	33,3	-1/+3
<b>Weight 17,0 kg,</b>			<b>508</b>	Ø 500	8	35,6	-1/+6
			<b>606</b>	Ø 600	6	37,3	-1/+2
			<b>608</b>	Ø 600	8	39,6	-1/+4
			<b>706</b>	Ø 700	6	50,0	-1/+1
			<b>708</b>	Ø 700	8	50,0	-1/+2
			<b>808</b>	Ø 800	8	-	-1/+1
			<b>810</b>	Ø 800	10	-	-1/+2
			/150	Height of frame			
			1.4301/1.4404	Manhole material			
			P/E/N/S/V	Gasket material			

# D4

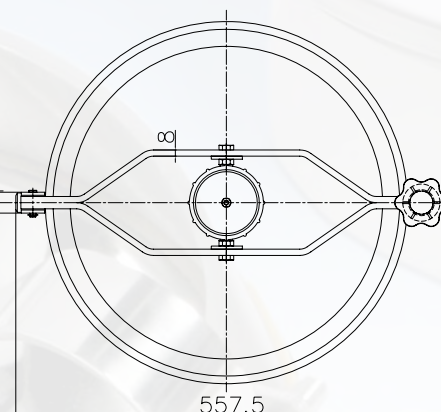
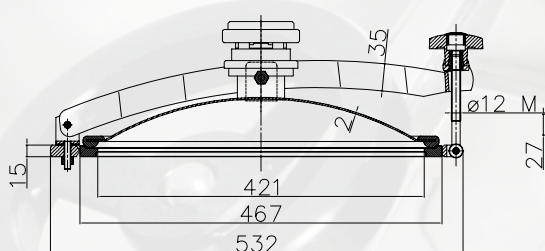
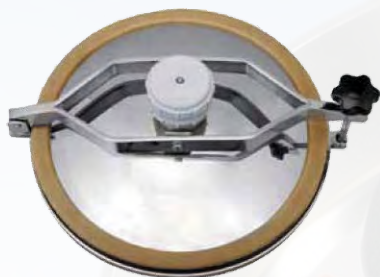


**Upper lid model:** D4  
**Dimensions:** Ø 420 mm  
**Max. working pressure:** -1/+0,6 bar  
**Standard handle:** VLT12RZ101L  
**Material:** AISI 304 or AISI 316L  
**Standard gasket:** natural rubber (PARA)  
**Gasket on request:** EPDM, Silicone, NBR, VITON  
**Surface:** cover and frame polished

Code	Mat.	Gasket
P2-D4-1.4301/P	304	PARA
P2-D4-1.4301/E	304	EPDM
P2-D4-1.4301/N	304	NBR
P2-D4-1.4301/S	304	Silicone
P2-D4-1.4301/V	304	VITON
P2-D4-1.4404/P	316L	PARA
P2-D4-1.4404/E	316L	EPDM
P2-D4-1.4404/N	316L	NBR
P2-D4-1.4404/S	316L	Silicone
P2-D4-1.4404/V	316L	VITON

Weight 10,0 kg

# D5

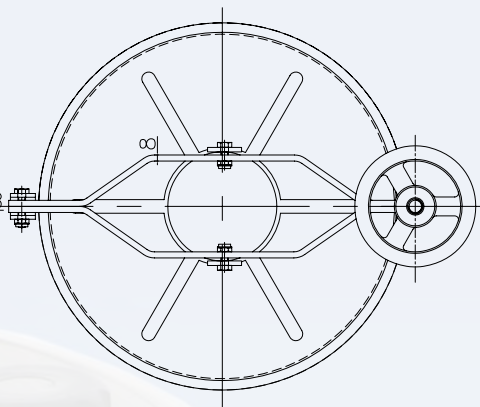
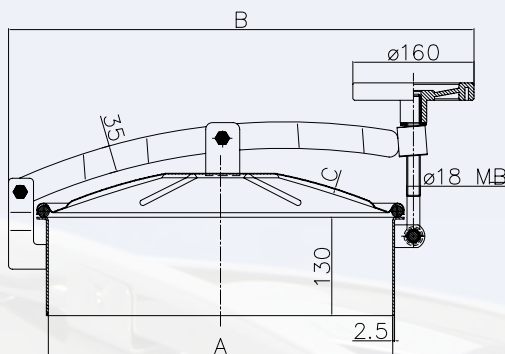


**Upper lid model:** D5  
**Dimensions:** Ø 420 mm  
**Max. working pressure:** 0,002 bar  
**Standard handle:** VLT1207004  
**Opening:** vertical and horizontal  
**Material:** AISI 304 or AISI 316L  
**Standard gasket:** natural rubber (PARA)  
**Gasket on request:** EPDM, Silicone, NBR, VITON  
**Surface:** cover and frame polished  
**With pressure compensating valve diam. 50 mm**

Code	Mat.	Gasket
P2-D5-1.4301/P	304	PARA
P2-D5-1.4301/E	304	EPDM
P2-D5-1.4301/N	304	NBR
P2-D5-1.4301/S	304	Silicone
P2-D5-1.4301/V	304	VITON
P2-D5-1.4404/P	316L	PARA
P2-D5-1.4404/E	316L	EPDM
P2-D5-1.4404/N	316L	NBR
P2-D5-1.4404/S	316L	Silicone
P2-D5-1.4404/V	316L	VITON

Weight 9,7 kg

# D6



## Heavy-duty upper lid model:

**Dimensions:**

Ø 420 / 455 / 500 mm

**Max. working pressure:**

-0,5/+0,3 bar

**Standard handle:**

VLT1816004

**Material:**

AISI 304 or AISI 316L

**Standard gasket:**

natural rubber (PARA)

**Gasket on request:**

EPDM, Silicone, NBR, VITON

**Surface:**

cover polished, frame 2B

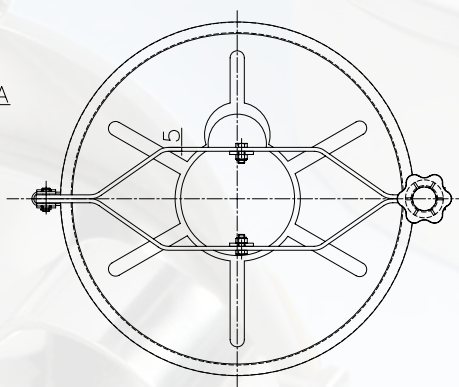
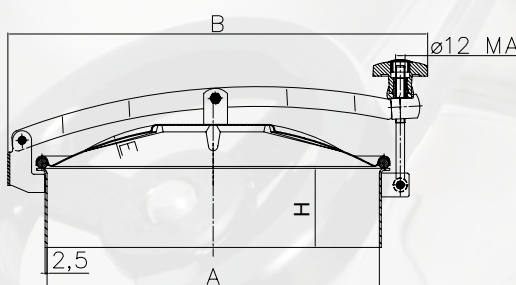
**Height of frame on request**

D6

Code	Mat.	Gasket
P2-D6-420/130-1.4301/P	304	PARA
P2-D6-420/130-1.4301/E	304	EPDM
P2-D6-420/130-1.4301/N	304	NBR
P2-D6-420/130-1.4301/S	304	Silicone
P2-D6-420/130-1.4301/V	304	VITON
P2-D6-420/130-1.4404/P	316L	PARA
P2-D6-420/130-1.4404/E	316L	EPDM
P2-D6-420/130-1.4404/N	316L	NBR
P2-D6-420/130-1.4404/S	316L	Silicone
P2-D6-420/130-1.4404/V	316L	VITON
Ø 420 mm		
Weight 11,2 kg		

Code	Mat.	Gasket		
P2-D6-455/130-1.4301/P	304	PARA		
P2-D6-500/130-1.4301/P	304	PARA		
coding of variants:				
P2	Manholes II.			
D6	Model			
	A	B	C	kg
420	420	580	2	11,2
455	455	615	2	12,0
500	500	660	2,5	13,0
/130	Height of frame			
1.4301/1.4404	Manhole material			
P/E/N/S/V	Gasket material			

# D7



## Upper lid model:

**Dimensions:**

Ø 385 / 420 / 455 / 500 / 600 mm

**Max. working pressure:**

+0,02 bar

**Standard handle:**

VLT1207004

**Material:**

AISI 304 or AISI 316L

**Standard gasket:**

natural rubber (PARA)

**Gasket on request:**

EPDM, Silicone, NBR, VITON

**Surface:**

cover polished, frame 2B

**On request with pressure compensating valve**

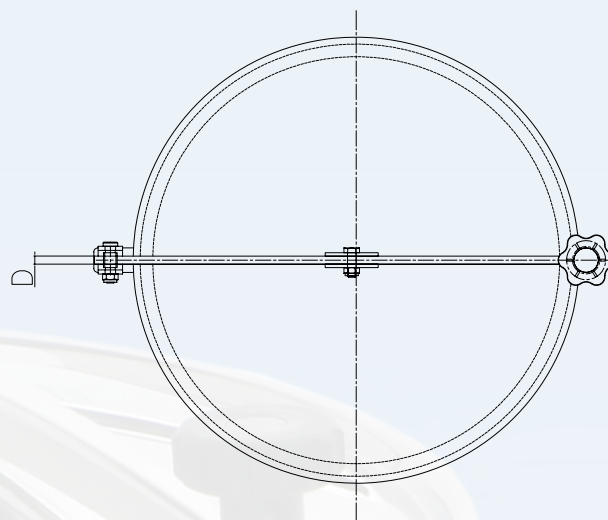
**Height of frame on request**

D7

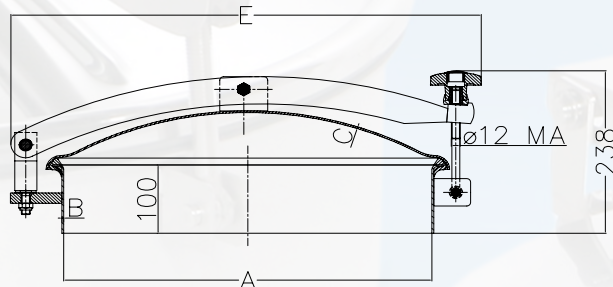
Code	Mat.	Gasket
P2-D7-385/050-1.4301/P	304	PARA
P2-D7-385/050-1.4301/E	304	EPDM
P2-D7-385/050-1.4301/N	304	NBR
P2-D7-385/050-1.4301/S	304	Silicone
P2-D7-385/050-1.4301/V	304	VITON
P2-D7-385/050-1.4404/P	316L	PARA
P2-D7-385/050-1.4404/E	316L	EPDM
P2-D7-385/050-1.4404/N	316L	NBR
P2-D7-385/050-1.4404/S	316L	Silicone
P2-D7-385/050-1.4404/V	316L	VITON
Ø 385 mm (B=495, H=50)		
Weight 5,9 kg		

Code	Mat.	Gasket	
P2-D7-385/100-1.4301/P	304	PARA	
coding of variants:			
P2	Manholes II.		
D7	Model		
385	A 385	B 495	6,2 kg (H=100)
420	A 420	B 530	6,5 kg (H=100)
455	A 455	B 565	9,5 kg (H=100)
500	A 500	B 610	11,0 kg (H=100)
600	A 600	B 710	12,5 kg (H=100)
/100	Height of frame 50 / 100 / 130 / 250		
1.4301/1.4404	Manhole material		
P/E/N/S/V	Gasket material		

# D8



D8



**Upper lid model:**

**Diameter / max. working pressure:**

Ø 200 / 300 / 420 / 460 mm

Ø 500 / 600 mm

-0,5/+0,2 bar

-0,5/+0,05 bar

**Standard handle:**

VLT1207004

**Material:**

AISI 304 or AISI 316L

**Standard gasket:**

natural rubber (PARA)

**Gasket on request:**

EPDM, Silicone, NBR, VITON

**Surface:**

cover and frame polished

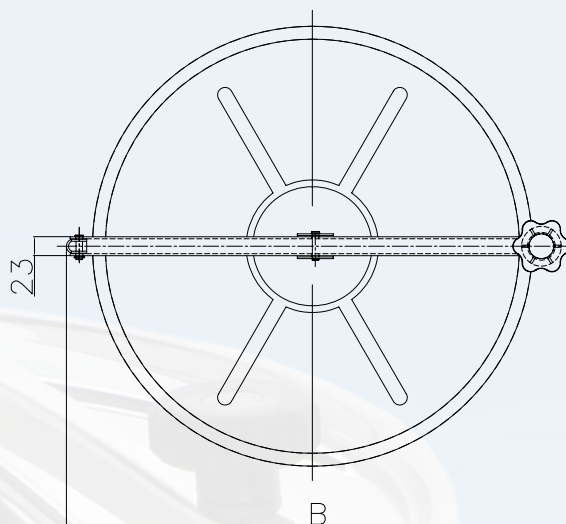
**Aseptic gasket on request**

**Height of frame on request**

Code standard gasket	Mat.	Gasket	Code standard gasket						
P2-D8-200/100-1.4301/P	304	PARA	<b>coding of variants:</b>						
P2-D8-200/100-1.4301/E	304	EPDM	P2	Manholes II.					
P2-D8-200/100-1.4301/N	304	NBR	D8	Model					
P2-D8-200/100-1.4301/S	304	Silicone		A(Ø)	B	C	D	E	kg
P2-D8-200/100-1.4301/V	304	VITON	200	200	2,5	2	30 x 8	320	3,6
P2-D8-200/100-1.4404/P	316L	PARA	300	300	2,5	2	30 x 8	425	5,4
P2-D8-200/100-1.4404/E	316L	EPDM	420	420	2,5	2,5	40 x 10	560	10,0
P2-D8-200/100-1.4404/N	316L	NBR	460	460	2,5	2,5	40 x 10	605	10,8
P2-D8-200/100-1.4404/S	316L	Silicone	500	500	2,5	2,5	40 x 10	640	12,4
P2-D8-200/100-1.4404/V	316L	VITON	600	600	2,5	2,5	40 x 10	740	13,6
Ø 200 mm, H=100			/100	Height of frame					
Weight 3,6 kg			1.4301/1.4404	Manhole material					
			P/E/N/S/V	Gasket material					

Code aseptic gasket	Mat.	Gasket	Code aseptic gasket						
P2-D8A-200/100-1.4301/P	304	PARA	<b>coding of variants:</b>						
P2-D8A-200/100-1.4301/E	304	EPDM	P2	Manholes II.					
P2-D8A-200/100-1.4301/N	304	NBR	D8A	Model D8 with aseptic gasket					
P2-D8A-200/100-1.4301/S	304	Silicone		A(Ø)	B	C	D	E	kg
P2-D8A-200/100-1.4301/V	304	VITON	200	200	2,5	2	30 x 8	320	3,6
P2-D8A-200/100-1.4404/P	316L	PARA	300	300	2,5	2	30 x 8	425	5,4
P2-D8A-200/100-1.4404/E	316L	EPDM	420	420	2,5	2,5	40 x 10	560	10,0
P2-D8A-200/100-1.4404/N	316L	NBR	460	460	2,5	2,5	40 x 10	605	10,8
P2-D8A-200/100-1.4404/S	316L	Silicone	500	500	2,5	2,5	40 x 10	640	12,4
P2-D8A-200/100-1.4404/V	316L	VITON	600	600	2,5	2,5	40 x 10	740	13,6
Ø 200 mm, H=100			/100	Height of frame					
Weight 3,6 kg			1.4301/1.4404	Manhole material					
			P/E/N/S/V	Gasket material					

# D9



**Upper lid model:**

D9

**Diameter / max. working pressure:**

Ø from 150 to 420 mm +0,02 bar

Ø from 455 to 600 mm 0,0 bar

**Standard handle:**

VLT1207004

**Material:**

AISI 304 or AISI 316L

**Standard gasket:**

natural rubber (PARA)

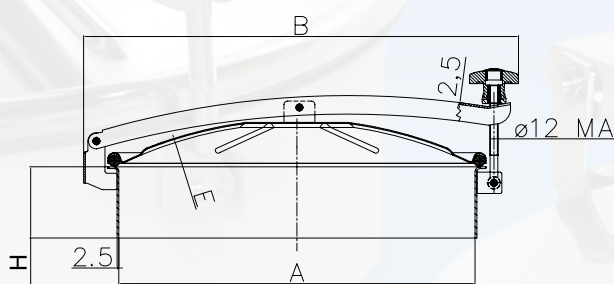
**Gasket on request:**

EPDM, Silicone, NBR, VITON

**Surface:**

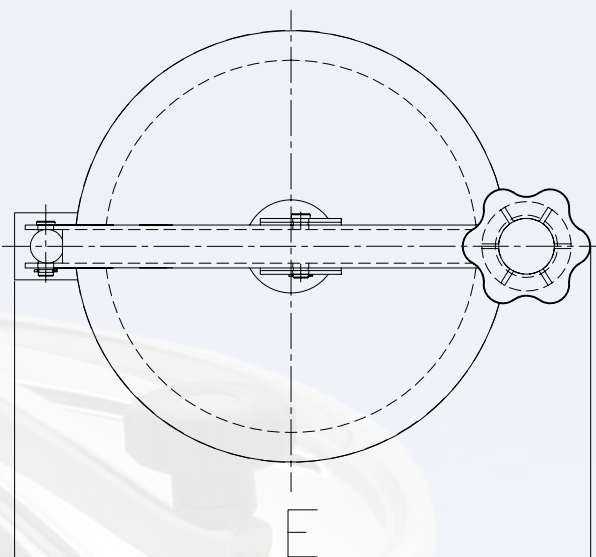
cover polished, frame 2B

**Height of frame on request**

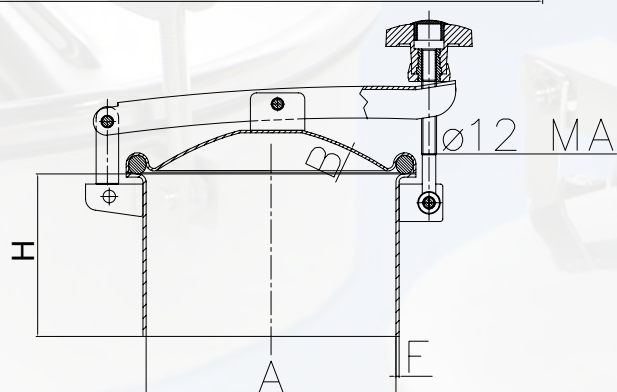


Code	Mat.	Gasket	Code					
P2-D9-150/045-1.4301/P	304	PARA	<b>coding of variants:</b>					
P2-D9-150/045-1.4301/E	304	EPDM	P2	Manholes II.				
P2-D9-150/045-1.4301/N	304	NBR	D9	Model				
P2-D9-150/045-1.4301/S	304	Silicone		A(Ø)	B	H	E	kg (H=100)
P2-D9-150/045-1.4301/V	304	VITON	150	150	260	45/90	1,5	2,5
P2-D9-150/045-1.4404/P	316L	PARA	200	200	310	50/100	2,0	3,0
P2-D9-150/045-1.4404/E	316L	EPDM	250	250	360	50/100	1,5	3,8
P2-D9-150/045-1.4404/N	316L	NBR	300	300	410	50/100	1,5	4,5
P2-D9-150/045-1.4404/S	316L	Silicone	360	360	470	50/100	1,5	5,6
P2-D9-150/045-1.4404/V	316L	VITON	385	385	495	50/100	1,5	6,0
Ø 150 mm, H=45 mm			420	420	530	50/100/130/250	1,5	6,5
Weight 2,3 kg			455	455	565	50/100/130/250	1,5	7,2
			500	500	610	50/100/130/250	1,5	8,2
			600	600	710	50/100/130/250	1,5	12,7
			/100	Height of frame (H)				
			1.4301/1.4404	Manhole material				
			P/E/N/S/V	Gasket material				

# D10

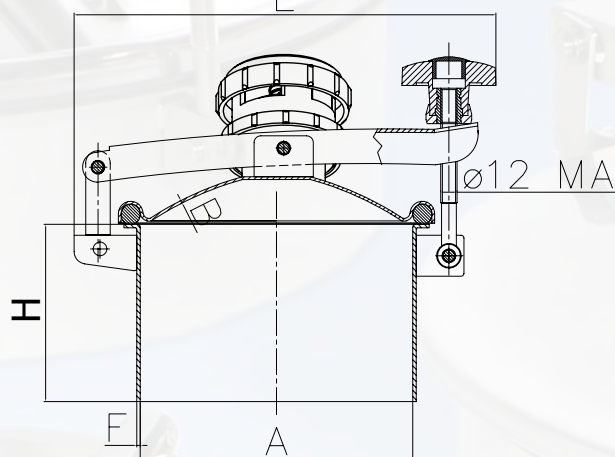
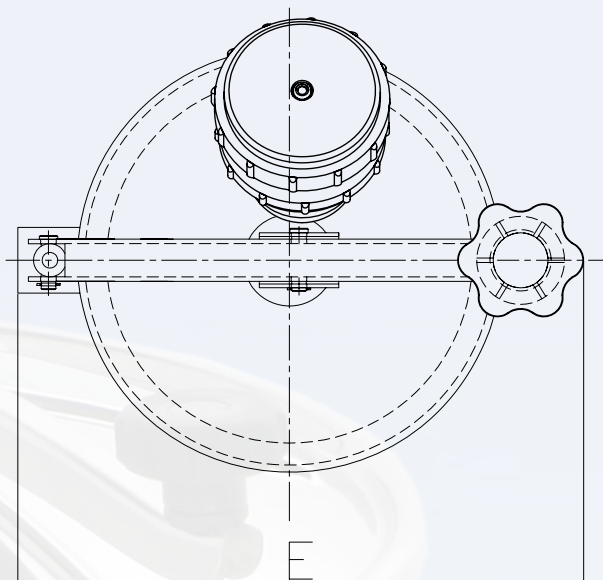


**Upper lid model:** D10  
**Dimensions:** Ø 150 / 200 / 250 / 300 / 360 mm  
 Ø 385 / 420 / 455 / 500 / 600 mm  
**Max. working pressure:** +0,02 bar  
**Standard handle:** VLT1207004  
**Opening:** vertical and horizontal  
**Material:** AISI 304 or AISI 316L  
**Standard gasket:** natural rubber (PARA)  
**Gasket on request:** EPDM, Silicone, NBR, VITON  
**Surface:** cover polished, frame 2B  
**Height of frame on request**



Code	Mat.	Gasket	Code						
P2-D10-150/045-1.4301/P	304	PARA	<b>coding of variants:</b>						
P2-D10-150/045-1.4301/E	304	EPDM	P2	Manholes II.					
P2-D10-150/045-1.4301/N	304	NBR	D10	Model					
P2-D10-150/045-1.4301/S	304	Silicone		A(Ø)	B	H	E	F	kg (H100)
P2-D10-150/045-1.4301/V	304	VITON	150	150	1,5	45/90	260	2,0	2,5 (H50)
P2-D10-150/045-1.4404/P	316L	PARA	200	200	2,0	50/130	310	2,5	3,5 (H130)
P2-D10-150/045-1.4404/E	316L	EPDM	250	250	1,5	50/100	360	2,5	3,8
P2-D10-150/045-1.4404/N	316L	NBR	300	300	1,5	50/100	410	2,5	4,5
P2-D10-150/045-1.4404/S	316L	Silicone	360	360	1,5	50/100	470	2,5	5,6
P2-D10-150/045-1.4404/V	316L	VITON	385	385	1,5	50/100	495	2,5	6,0
Ø 150 mm, H=45 mm			420	420	1,5	50/100	530	2,5	6,5
Weight 2,3 kg			455	455	1,5	50/100	570	2,5	7,2
			500	500	1,5	50/100	610	2,5	8,2
			600	600	2,0	50/100	710	2,5	12,7
			/100	Height of frame (H)					
			1.4301/1.4404	Manhole material					
			P/E/N/S/V	Gasket material					

# D11



Upper lid model:

D11

Dimensions:

Ø 150 / 200 / 250 / 300 / 360 mm

Ø 385 / 420 / 455 / 500 / 600 mm

Standard handle:

VLT1207004

Opening:

vertical and horizontal

Material:

AISI 304 or AISI 316L

Standard gasket:

natural rubber (PARA)

Gasket on request:

EPDM, Silicone, NBR, VITON

Surface:

cover polished, frame 2B

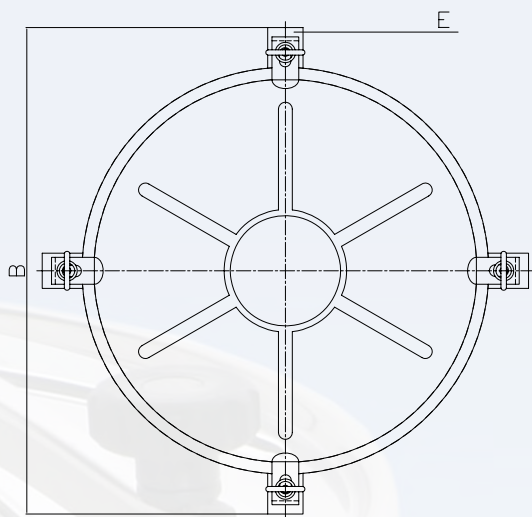
With pressure compensating valve diam. 50 mm

Height of frame on request

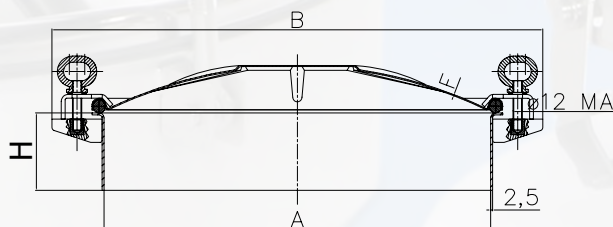
Code	Mat.	Gasket	Code						
P2-D11-150/045-1.4301/P	304	PARA	<b>coding of variants:</b>						
P2-D11-150/045-1.4301/E	304	EPDM	P2	Manholes II.					
P2-D11-150/045-1.4301/N	304	NBR	D11	Model					
P2-D11-150/045-1.4301/S	304	Silicone		A(Ø)	B	H	E	F	kg (H100)
P2-D11-150/045-1.4301/V	304	VITON	150	150	1,5	45/90	260	2,0	3,1 (H50)
P2-D11-150/045-1.4404/P	316L	PARA	200	200	2,0	50/130	310	2,5	4,1 (H130)
P2-D11-150/045-1.4404/E	316L	EPDM	250	250	1,5	50/100	360	2,5	4,4
P2-D11-150/045-1.4404/N	316L	NBR	300	300	1,5	50/100	410	2,5	5,1
P2-D11-150/045-1.4404/S	316L	Silicone	360	360	1,5	50/100	470	2,5	6,2
P2-D11-150/045-1.4404/V	316L	VITON	385	385	1,5	50/100	495	2,5	6,6
Ø 150 mm, H=45 mm			420	420	1,5	50/100	530	2,5	7,1
Weight 2,3 kg			455	455	1,5	50/100	570	2,5	8,1
			500	500	1,5	50/100	610	2,5	8,8
			600	600	2,0	50/100	710	2,5	13,3
			/100	Height of frame (H)					
			1.4301/1.4404	Manhole material					
			P/E/N/S/V	Gasket material					



# D12



**Upper lid model:** D12  
**Dimensions:** Ø 150 / 200 / 250 / 300 / 360 mm  
 Ø 385 / 420 / 455 / 500 / 600 mm  
**Max. working pressure:** -0,5/+0,2 bar  
**Standard handle:** GLLBRZ1201  
**Material:** AISI 304 or AISI 316L  
**Standard gasket:** natural rubber (PARA)  
**Gasket on request:** EPDM, Silicone, NBR, VITON  
**Surface:** cover polished, frame 2B



**On request with pressure compensating valve**

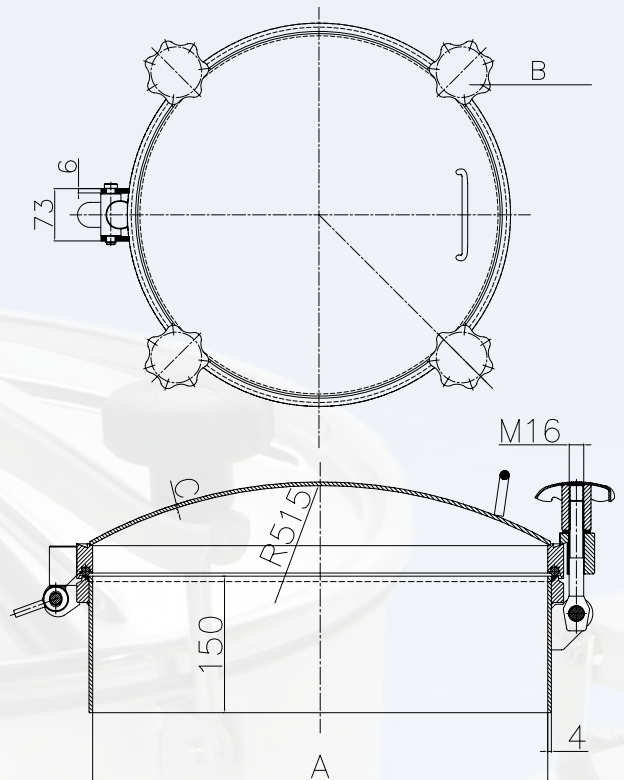
**Height of frame on request**

Code	Mat.	Gasket	Code						
P2-D12-150/045-1.4301/P	304	PARA	<b>coding of variants:</b>						
P2-D12-150/045-1.4301/E	304	EPDM	P2	Manholes II.					
P2-D12-150/045-1.4301/N	304	NBR	D12	Model					
P2-D12-150/045-1.4301/S	304	Silicone		A(Ø)	B	H	E	F	kg (H100)
P2-D12-150/045-1.4301/V	304	VITON	150	150	285	45/90	3	1,5	3,0 (H90)
P2-D12-150/045-1.4404/P	316L	PARA	200	200	335	50/100	4	1,5	3,5
P2-D12-150/045-1.4404/E	316L	EPDM	250	250	385	50/100	4	1,5	4,3
P2-D12-150/045-1.4404/N	316L	NBR	300	300	435	50/100	4	1,5	5,0
P2-D12-150/045-1.4404/S	316L	Silicone	360	360	495	50/100	4	1,5	6,1
P2-D12-150/045-1.4404/V	316L	VITON	385	385	520	50/100	4	1,5	6,5
Ø 150 mm, H=45 mm Weight 2,7 kg			420	420	555	50/100/130/250	4	1,5	7,0
			455	455	590	50/100/130/250	4	1,5	7,7
			500	500	635	50/100/130/250	4	1,5	8,7
			600	600	735	50/100/130/250	5	2,0	13,2
			/100	Height of frame (H)					
			1.4301/1.4404	Manhole material					
			P/E/N/S/V	Gasket material					

# D13 PED

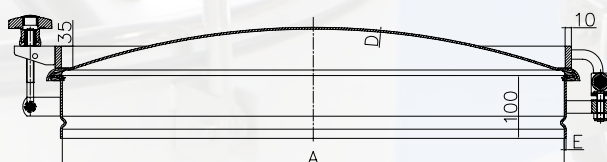
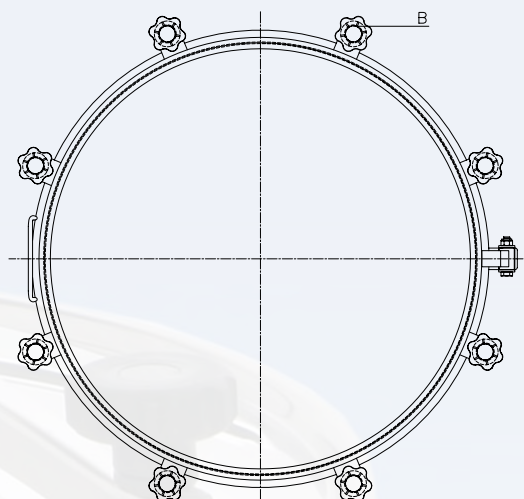


**Upper lid model:** D13  
**Dimensions:** Ø 300 / 400 / 450 / 500 / 600 / 700 mm  
**Standard handle:** VLT1609003S  
**Material:** AISI 304 or AISI 316L  
**Standard gasket:** Silicone  
**Gasket on request:** EPDM, PARA, NBR, VITON  
**On request with sightglass (max DN 125)**  
**Certificate PED on request**



Code	Mat.	Gasket	Code	Maximal temperature (°C)							
P2-D13-304-1.4301/P	304	PARA	<b>coding of variants:</b>								
P2-D13-304-1.4301/E	304	EPDM	P2	Manholes II.							
P2-D13-304-1.4301/N	304	NBR	D13	Model							
P2-D13-304-1.4301/S	304	Silicone		A(Ø)	B (No. hand.)	50	100	150	200	250	C
P2-D13-304-1.4301/V	304	VITON		<b>Max. working pressure (bar)</b>							
P2-D13-304-1.4404/P	316L	PARA	304	300	4	4,5	4,0	4,0	3,5	3,5	4
P2-D13-304-1.4404/E	316L	EPDM	306	200	6	8,5	8,0	7,5	7,0	7,0	4
P2-D13-304-1.4404/N	316L	NBR	308	300	8	10,5	9,5	9,0	8,5	8,5	5
P2-D13-304-1.4404/S	316L	Silicone	404	400	4	2,0	1,5	1,5	1,5	1,5	4
P2-D13-304-1.4404/V	316L	VITON	406	400	6	4,5	4,0	4,0	3,5	3,5	4
<b>Ø 300 mm, B = 4 ks</b>			408	400	8	6,5	6,0	6,0	5,5	5,5	4
<b>Weight cca 17,0 kg</b>			410	400	10	8,5	7,5	7,5	7,0	7,0	4
			412	400	12	10,0	9,0	8,5	8,0	8,0	5
			454	450	4	1,5	1,0	1,0	1,0	1,0	4
			456	450	6	3,0	3,0	3,0	2,5	2,5	4
			458	450	8	5,5	5,0	4,5	4,5	4,5	4
			460	450	10	6,5	6,0	6,0	5,5	5,5	4
			462	450	12	8,0	7,5	7,0	6,5	6,5	4
			504	500	4	1,0	1,0	1,0	1,0	1,0	4
			506	500	6	2,5	2,0	2,0	2,0	2,0	4
			508	500	8	4,0	4,0	3,5	3,5	3,5	4
			510	500	10	5,5	5,0	4,5	4,5	4,5	4
			512	500	12	6,5	6,0	5,5	5,5	5,5	4
			514	500	14	7,5	7,0	6,5	6,0	6,0	4
			606	600	6	1,5	1,0	1,0	1,0	1,0	4
			608	600	8	2,5	2,5	2,0	2,0	2,0	4
			610	600	10	4,0	3,5	3,5	3,0	3,0	4
			612	600	12	4,5	4,0	4,0	4,0	3,5	4
			614	600	14	5,5	5,0	4,5	4,5	4,5	4
			706	700	6	1,0	1,0	1,0	0,5	0,5	4
			708	700	8	1,5	1,5	1,5	1,5	1,5	4
			710	700	10	2,5	2,5	2,0	2,0	2,0	4
			712	700	12	3,5	3,0	3,0	3,0	3,0	4
			714	700	14	4,0	3,5	3,5	3,5	3,5	4
			1.4301/1.4404	Manhole material							
			P/E/N/S/V	Gasket material							

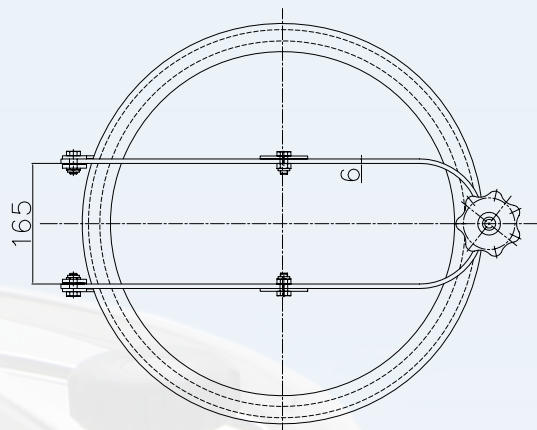
# D14



Upper lid model: D14  
 Dimensions: Ø 500 / 600 / 700 / 800 / 900 mm  
 Ø 1000 / 1200 / 1400 / 1500 / 1600 mm  
 Max. working pressure: -0,8/+0,3 bar  
 Standard handle: VLT1207004  
 Material: AISI 304 or AISI 316L  
 Standard gasket: natural rubber (PARA)  
 Gasket on request: EPDM, Silicone, NBR, VITON  
 Surface: cover polished, frame 2B  
 Height of frame on request

Code	Mat.	Gasket	Code						
P2-D14-500/100-1.4301/P	304	PARA	<b>coding of variants:</b>						
P2-D14-500/100-1.4301/E	304	EPDM	<b>P2</b>	Manholes II.					
P2-D14-500/100-1.4301/N	304	NBR	<b>D14</b>	Model					
P2-D14-500/100-1.4301/S	304	Silicone		<b>A(Ø)</b>	<b>B (No. hand.)</b>	<b>C</b>	<b>D</b>	<b>E</b>	<b>kg</b>
P2-D14-500/100-1.4301/V	304	VITON	<b>500</b>	500	6	700	2,5	2,5	-
P2-D14-500/100-1.4404/P	316L	PARA	<b>600</b>	600	6	800	2,5	2,5	-
P2-D14-500/100-1.4404/E	316L	EPDM	<b>700</b>	700	6	900	3,0	3,0	-
P2-D14-500/100-1.4404/N	316L	NBR	<b>800</b>	800	8	1000	3,0	3,0	38,0
P2-D14-500/100-1.4404/S	316L	Silicone	<b>900</b>	900	8	1100	3,0	3,0	-
P2-D14-500/100-1.4404/V	316L	VITON	<b>1000</b>	1000	10	1200	3,0	3,0	44,0
<b>Ø 500 mm, H=100 mm</b>			<b>1200</b>	1200	10	1400	3,0	3,0	50,0
			<b>1400</b>	1400	12	1500	3,0	3,0	-
			<b>1500</b>	1500	14	1700	3,0	3,0	-
			<b>1600</b>	1600	16	1800	3,0	3,0	-
			<b>/100</b>	Height of frame (H)					
			<b>1.4301/1.4404</b>	Manhole material					
			<b>P/E/N/S/V</b>	Gasket material					

# D15



Upper lid model:

D15

Diameter / max. working pressure:

Ø 420 / 460 mm	-0,5/+0,3 bar
Ø 500 mm	-0,5/+0,2 bar
Ø 600 mm	-0,5/+0,1 bar
Ø 700 / 800 / 800 mm	-0,5/+0,0 bar

Standard handle:

VLT1209001S

Material:

AISI 304 or AISI 316L

Standard gasket:

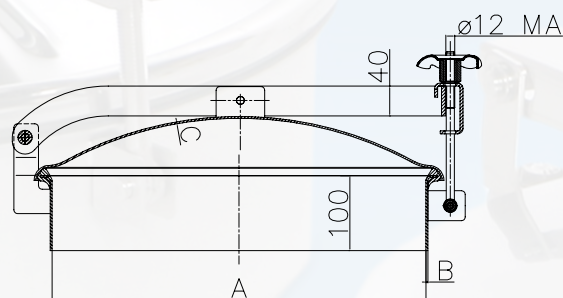
natural rubber (PARA)

Gasket on request:

EPDM, Silicone, NBR, VITON

Surface:

cover polished, frame 2B

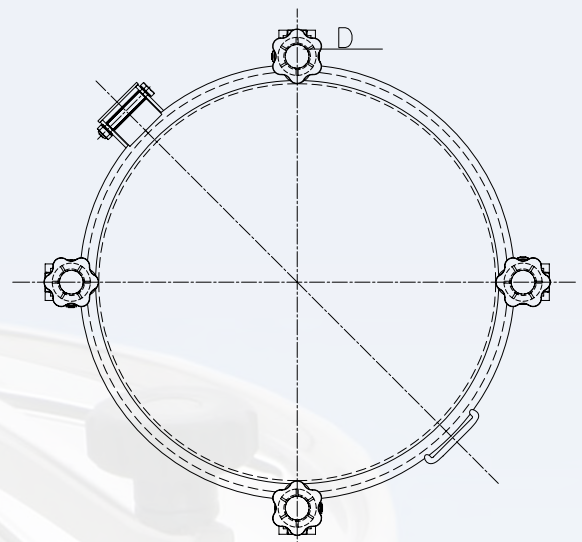


Aseptic gasket on request

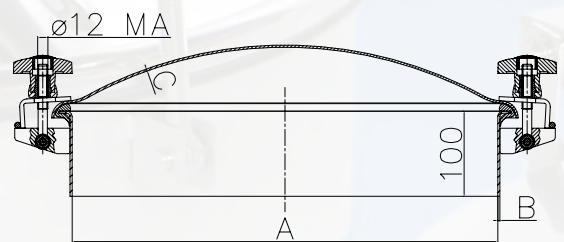
Code standard gasket	Mat.	Gasket	Code standard gasket				
P2-D15-420/100-1.4301/P	304	PARA	<b>coding of variants:</b>				
P2-D15-420/100-1.4301/E	304	EPDM	P2	Manholes II.			
P2-D15-420/100-1.4301/N	304	NBR	D15	Model			
P2-D15-420/100-1.4301/S	304	Silicone		A(Ø)	B	C	kg
P2-D15-420/100-1.4301/V	304	VITON	420	420	2,5	2,5	10,5
P2-D15-420/100-1.4404/P	316L	PARA	460	460	2,5	2,5	11,0
P2-D15-420/100-1.4404/E	316L	EPDM	500	500	2,5	2,5	13,0
P2-D15-420/100-1.4404/N	316L	NBR	600	600	2,5	2,5	14,4
P2-D15-420/100-1.4404/S	316L	Silicone	700	700	3,0	3,0	-
P2-D15-420/100-1.4404/V	316L	VITON	800	800	3,0	3,0	-
Ø 420 mm, H=100			/100	Height of frame			
Weight 10,5 kg			1.4301/1.4404	Manhole material			
			P/E/N/S/V	Gasket material			

Code aseptic gasket	Mat.	Gasket	Code aseptic gasket				
P2-D15A-420/100-1.4301/P	304	PARA	<b>coding of variants:</b>				
P2-D15A-420/100-1.4301/E	304	EPDM	P2	Manholes II.			
P2-D15A-420/100-1.4301/N	304	NBR	D15A	Model D8 with aseptic gasket			
P2-D15A-420/100-1.4301/S	304	Silicone		A(Ø)	B	C	kg
P2-D15A-420/100-1.4301/V	304	VITON	420	420	2,5	2,5	10,5
P2-D15A-420/100-1.4404/P	316L	PARA	460	460	2,5	2,5	11,0
P2-D15A-420/100-1.4404/E	316L	EPDM	500	500	2,5	2,5	13,0
P2-D15A-420/100-1.4404/N	316L	NBR	600	600	2,5	2,5	14,4
P2-D15A-420/100-1.4404/S	316L	Silicone	700	700	3,0	3,0	-
P2-D15A-420/100-1.4404/V	316L	VITON	800	800	3,0	3,0	-
Ø 420 mm, H=100			/100	Height of frame			
Weight 10,5 kg			1.4301/1.4404	Manhole material			
			P/E/N/S/V	Gasket material			

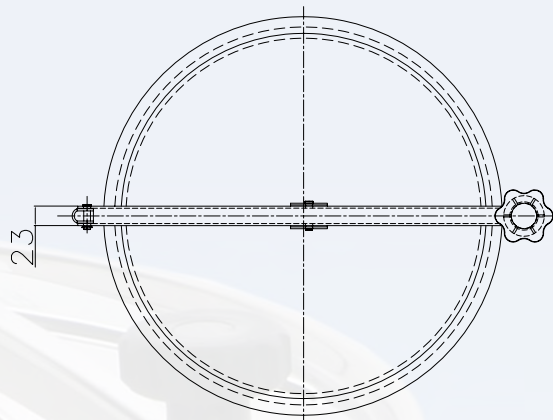
# D20



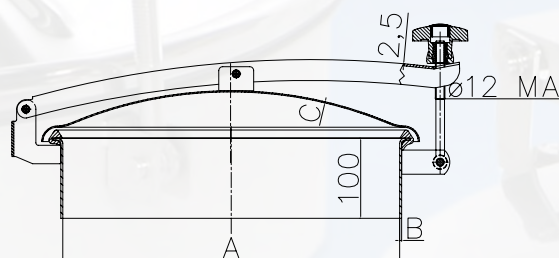
Upper lid model: D20  
 Dimensions: Ø 200 / 300 / 420 / 460 / 500 / 600 / 700 mm  
 Ø 800 / 900 / 1000 / 1200 / 1400 / 1500 / 1600 mm  
 Max. working pressure: -0,5/+0,2 bar  
 Standard handle: VLT1207004  
 Material: AISI 304 or AISI 316L  
 Standard gasket: natural rubber (PARA)  
 Gasket on request: EPDM, Silicone, NBR, VITON  
 Surface: cover polished, frame 2B  
 Height of frame on request  
 Aseptic gasket on request



Code standard gasket	Mat.	Gasket	Code aseptic gasket	Mat.	Gasket	Code						
P2-D20-200/100-1.4301/P	304	PARA	P2-D20A-200/100-1.4301/P	304	PARA	coding of variants:	Manholes II.					
P2-D20-200/100-1.4301/E	304	EPDM	P2-D20A-200/100-1.4301/E	304	EPDM		P2	Model D20 with standard gasket				
P2-D20-200/100-1.4301/N	304	NBR	P2-D20A-200/100-1.4301/N	304	NBR	D20	Model D20 with aseptic gasket					
P2-D20-200/100-1.4301/S	304	Silicone	P2-D20A-200/100-1.4301/S	304	Silicone	D20A	A(Ø)	B	C	D (ovl.)	kg	
P2-D20-200/100-1.4301/V	304	VITON	P2-D20A-200/100-1.4301/V	304	VITON		200	200	2,5	2,0	3	3,1
P2-D20-200/100-1.4404/P	316L	PARA	P2-D20A-200/100-1.4404/P	316L	PARA		300	300	2,5	2,0	4	4,9
P2-D20-200/100-1.4404/E	316L	EPDM	P2-D20A-200/100-1.4404/E	316L	EPDM		420	420	2,5	2,5	4	9,5
P2-D20-200/100-1.4404/N	316L	NBR	P2-D20A-200/100-1.4404/N	316L	NBR		460	460	2,5	2,5	4	10,3
P2-D20-200/100-1.4404/S	316L	Silicone	P2-D20A-200/100-1.4404/S	316L	Silicone		500	500	2,5	2,5	4	11,9
P2-D20-200/100-1.4404/V	316L	VITON	P2-D20A-200/100-1.4404/V	316L	VITON		600	600	2,5	2,5	5	13,1
Ø 200 mm, H=100			Ø 200 mm, H=100				700	700	3,0	3,0	6	-
Weight 3,1 kg			Weight 3,1 kg				800	800	3,0	3,0	8	-
							900	900	3,0	3,0	8	-
							1000	1000	3,0	3,0	10	-
							1200	1200	3,0	3,0	10	-
							1400	1400	3,0	3,0	12	-
							1500	1500	3,0	3,0	14	-
							1600	1600	3,0	3,0	16	-
						/100	Height of frame (H)					
						1.4301/1.4404	Manhole material					
						P/E/N/S/V	Gasket material					



Upper lid model: D22  
 Dimensions: Ø 200 / 300 / 420 / 460 mm -0,3/+0,1 bar  
 Ø 500 / 600 mm -0,3/+0,05 bar  
 Standard handle: VLT1207004  
 Material: AISI 304 or AISI 316L  
 Standard gasket: natural rubber (PARA)  
 Gasket on request: EPDM, Silicone, NBR, VITON  
 Surface: cover polished, frame 2B  
 Aseptic gasket on request



Code standard gasket	Mat.	Gasket
P2-D22-200/100-1.4301/P	304	PARA
P2-D22-200/100-1.4301/E	304	EPDM
P2-D22-200/100-1.4301/N	304	NBR
P2-D22-200/100-1.4301/S	304	Silicone
P2-D22-200/100-1.4301/V	304	VITON
P2-D22-200/100-1.4404/P	316L	PARA
P2-D22-200/100-1.4404/E	316L	EPDM
P2-D22-200/100-1.4404/N	316L	NBR
P2-D22-200/100-1.4404/S	316L	Silicone
P2-D22-200/100-1.4404/V	316L	VITON

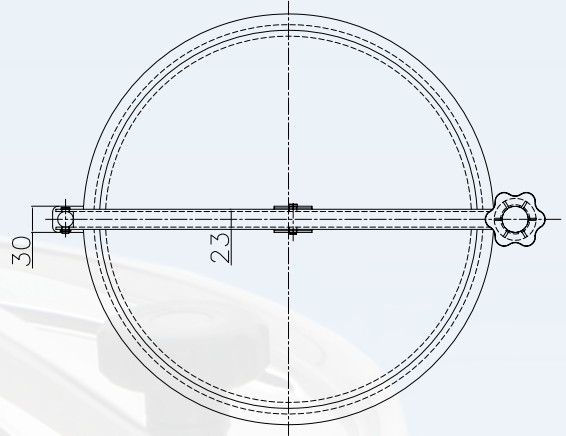
Ø 200 mm, H=100  
 Weight 3,3 kg

Code standard gasket				
<b>coding of variants:</b>				
P2	Manholes II.			
D22	Model D22 with standard gasket			
	A(Ø)	B	C	kg
200	200	2,5	2,0	3,3
300	300	2,5	2,0	4,8
420	420	2,5	1,5	6,5
460	460	2,5	1,5	7,5
500	500	2,5	1,5	8,2
600	600	2,5	2,0	12,0
/100	Height of frame			
1.4301/1.4404	Manhole material			
P/E/N/S/V	Gasket material			

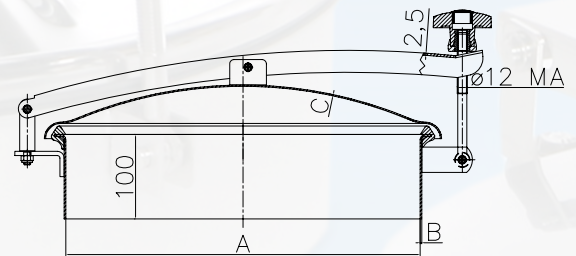
Code aseptic gasket	Mat.	Gasket
P2-D22A-200/100-1.4301/P	304	PARA
P2-D22A-200/100-1.4301/E	304	EPDM
P2-D22A-200/100-1.4301/N	304	NBR
P2-D22A-200/100-1.4301/S	304	Silicone
P2-D22A-200/100-1.4301/V	304	VITON
P2-D22A-200/100-1.4404/P	316L	PARA
P2-D22A-200/100-1.4404/E	316L	EPDM
P2-D22A-200/100-1.4404/N	316L	NBR
P2-D22A-200/100-1.4404/S	316L	Silicone
P2-D22A-200/100-1.4404/V	316L	VITON

Ø 200 mm, H=100  
 Weight 3,3 kg

Code aseptic gasket				
<b>coding of variants:</b>				
P2	Manholes II.			
D22A	Model D22 with aseptic gasket			
	A(Ø)	B	C	kg
200	200	2,5	2,0	3,3
300	300	2,5	2,0	4,8
420	420	2,5	1,5	6,5
460	460	2,5	1,5	7,5
500	500	2,5	1,5	8,2
600	600	2,5	2,0	12,0
/100	Height of frame			
1.4301/1.4404	Manhole material			
P/E/N/S/V	Gasket material			

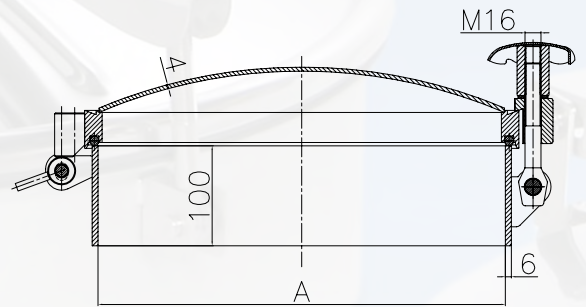
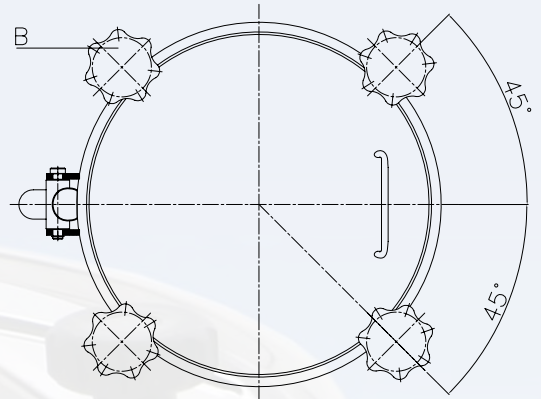


**Upper lid:** D22E  
**Dimensions:** Ø 200 / 300 / 420 mm +0,01 bar  
 Ø 460 / 500 / 600 mm 0,0 bar  
**Standard handle:** VLT1207004  
**Material:** AISI 304 or AISI 316L  
**Standard gasket:** natural rubber (PARA)  
**Gasket on request:** EPDM, Silicone, NBR, VITON  
**Surface:** cover polished, frame 2B  
**Aseptic gasket on request**



Code standard gasket	Mat.	Gasket	Code standard gasket				
P2-D22E-200/100-1.4301/P	304	PARA	<b>coding of variants:</b>				
P2-D22E-200/100-1.4301/E	304	EPDM	P2	Manholes II.			
P2-D22E-200/100-1.4301/N	304	NBR	D22E	Model			
P2-D22E-200/100-1.4301/S	304	Silicone		A(Ø)	B	C	kg
P2-D22E-200/100-1.4301/V	304	VITON	200	200	2,5	2,0	3,2
P2-D22E-200/100-1.4404/P	316L	PARA	300	300	2,5	2,0	4,5
P2-D22E-200/100-1.4404/E	316L	EPDM	420	420	2,0	1,5	6,2
P2-D22E-200/100-1.4404/N	316L	NBR	460	460	2,0	1,5	7,3
P2-D22E-200/100-1.4404/S	316L	Silicone	500	500	2,0	1,5	7,5
P2-D22E-200/100-1.4404/V	316L	VITON	600	600	2,0	2,0	11,8
Ø 200 mm, H=100			/100	Height of frame			
Weight 3,2 kg			1.4301/1.4404	Manhole material			
			P/E/N/S/V	Gasket material			

Code aseptic gasket	Mat.	Gasket	Code aseptic gasket				
P2-D22EA-200/100-1.4301/P	304	PARA	<b>coding of variants:</b>				
P2-D22EA-200/100-1.4301/E	304	EPDM	P2	Manholes II.			
P2-D22EA-200/100-1.4301/N	304	NBR	D22EA	Model D22E with aseptic gasket			
P2-D22EA-200/100-1.4301/S	304	Silicone		A(Ø)	B	C	kg
P2-D22EA-200/100-1.4301/V	304	VITON	200	200	2,5	2,0	3,2
P2-D22EA-200/100-1.4404/P	316L	PARA	300	300	2,5	2,0	4,5
P2-D22EA-200/100-1.4404/E	316L	EPDM	420	420	2,0	1,5	6,2
P2-D22EA-200/100-1.4404/N	316L	NBR	460	460	2,0	1,5	7,3
P2-D22EA-200/100-1.4404/S	316L	Silicone	500	500	2,0	1,5	7,5
P2-D22EA-200/100-1.4404/V	316L	VITON	600	600	2,0	2,0	11,8
Ø 200 mm, H=100			/100	Height of frame			
Weight 3,2 kg			1.4301/1.4404	Manhole material			
			P/E/N/S/V	Gasket material			

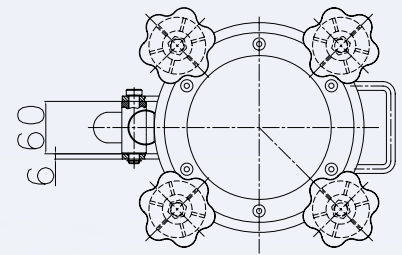
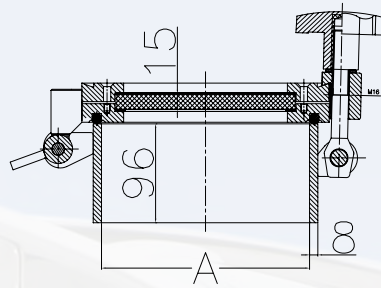


**Upper lid model:** D25  
**Dimensions:** Ø 300 / 400 / 450 / 500 / 600 / 700 mm  
**Max. working pressure:** -1,0/+1,0 bar  
**Standard handle:** VLT1609003S  
**Material:** AISI 304 or AISI 316L  
**Standard gasket:** Silicone  
**Gasket on request:** EPDM, PARA, NBR, VITON  
**On request with sight-glass (max DN 125)**  
**Certificate PED on request**

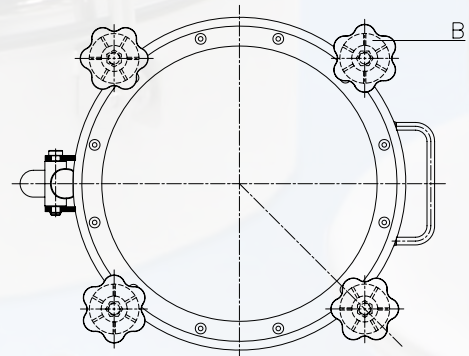
Code	Mat.	Gasket	Code	coding of variants:				
P2-D25-300-1.4301/P	304	PARA	P2	Manholes II.		Max. temperature (°C)		
P2-D25-300-1.4301/E	304	EPDM	D25	Model		50	100	150
P2-D25-300-1.4301/N	304	NBR		A(Ø)	B (No.)	Max. working pressure (bar)		
P2-D25-300-1.4301/S	304	Silicone	300	300	4	1,0	1,0	1,0
P2-D25-300-1.4301/V	304	VITON	400	400	4	1,0	1,0	1,0
P2-D25-300-1.4404/P	316L	PARA	450	450	4	1,0	1,0	1,0
P2-D25-300-1.4404/E	316L	EPDM	500	500	6	1,0	1,0	1,0
P2-D25-300-1.4404/N	316L	NBR	600	600	6	1,0	1,0	1,0
P2-D25-300-1.4404/S	316L	Silicone	700	700	8	1,0	1,0	1,0
P2-D25-300-1.4404/V	316L	VITON	1.4301/1.4404	Manhole material				
Ø 300 mm, B (handwheels) = 4 pcs			P/E/N/S/V	Gasket material				



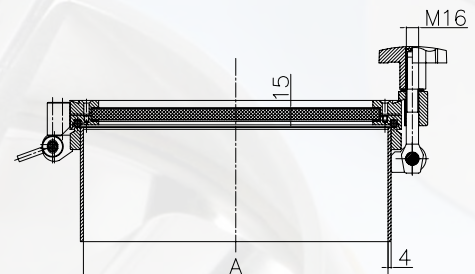
# D26 (Ø 200 / 250)



# D26 (Ø 300 / 400 / 450 / 500 / 600)

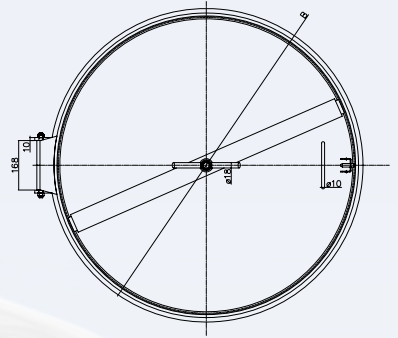
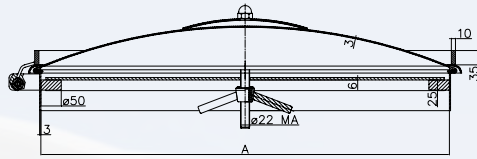


Upper lid model: D26  
 Dimensions: Ø 200 / 250 / 300 / 400 / 450 / 500 / 600 mm  
 Standard handle: VLT1609004  
 Material: AISI 304 or AISI 316L  
 Standard gasket: Silicone  
 Gasket on request: EPDM, PARA, NBR, VITON  
 Height of frame on request



Code standard gasket	Mat.	Gasket	Code standard gasket				
P2-D26-200/100-1.4301/P	304	PARA	<b>coding of variants:</b>				
P2-D26-200/100-1.4301/E	304	EPDM	P2	Manholes II.			
P2-D26-200/100-1.4301/N	304	NBR	D26	Model			
P2-D26-200/100-1.4301/S	304	Silicone		A(Ø)	B (ovl.)	tlak (bar)	kg
P2-D26-200/100-1.4301/V	304	VITON	200	202	4	-	15,3
P2-D26-200/100-1.4404/P	316L	PARA	250	250	4	-	17,9
P2-D26-200/100-1.4404/E	316L	EPDM	300	300	4	-1/+3	21,0
P2-D26-200/100-1.4404/N	316L	NBR	400	400	4	-1/+3	-
P2-D26-200/100-1.4404/S	316L	Silicone	450	450	4	-1/+3	-
P2-D26-200/100-1.4404/V	316L	VITON	500	500	6	-1/+2	36,5
			600	600	6	-1/+2	-
Ø 200 mm, H=100			/100	Height of frame			
Weight 3,2 kg			1.4301/1.4404	Manhole material			
			P/E/N/S/V	Gasket material			

# D28

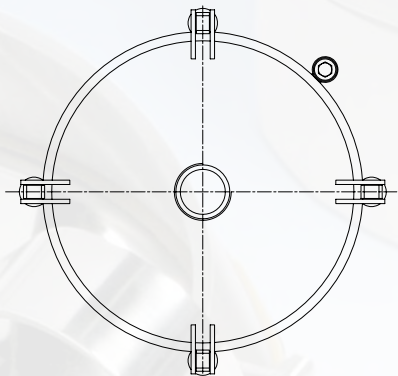
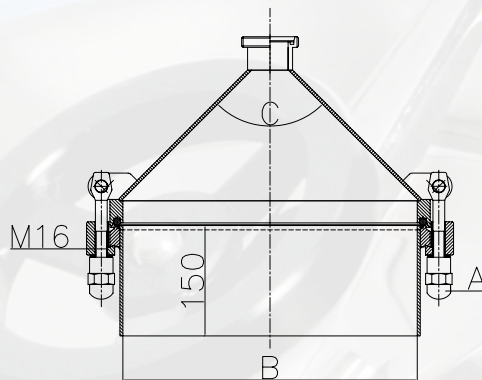


Upper lid model: D28  
 Dimensions: Ø 700 / 800 / 900 / 1000 mm  
 Max. working pressure: +1,0 bar  
 Standard handle: VLT22RZ201L  
 Material: AISI 304 or AISI 316L  
 Standard gasket: natural rubber (PARA)  
 Gasket on request: EPDM, Silicone, NBR, VITON  
 Surface: cover elektrochem.-polished, satin frame  
 Height of frame on request

Code	Mat.	Gasket
P2-D28-700-1.4301/P	304	PARA
P2-D28-700-1.4301/E	304	EPDM
P2-D28-700-1.4301/N	304	NBR
P2-D28-700-1.4301/S	304	Silicone
P2-D28-700-1.4301/V	304	VITON
P2-D28-700-1.4404/P	316L	PARA
P2-D28-700-1.4404/E	316L	EPDM
P2-D28-700-1.4404/N	316L	NBR
P2-D28-700-1.4404/S	316L	Silicone
P2-D28-700-1.4404/V	316L	VITON
Ø 700 mm		

Code	Mat.	Gasket
P2-D28-800-1.4301/P	304	PARA
P2-D28-900-1.4301/P	304	PARA
P2-D28-1000-1.4301/P	304	PARA
coding of variants:		
P2	Manholes II.	
D28	Model	
700	B=788	
800	B=850	
900	B=950	
1000	B=1060	
1.4301/1.4404	Manhole material	
P/E/N/S/V	Gasket material	

# D32

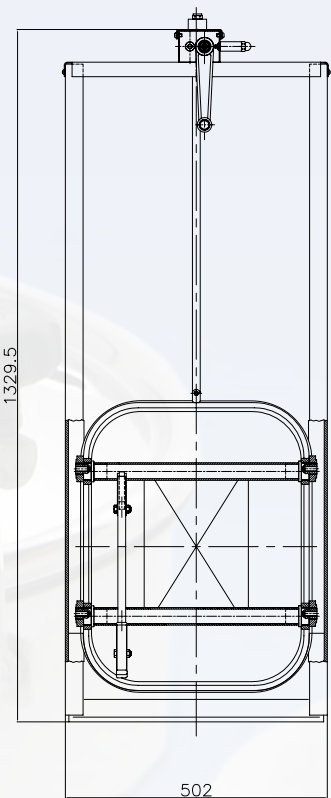
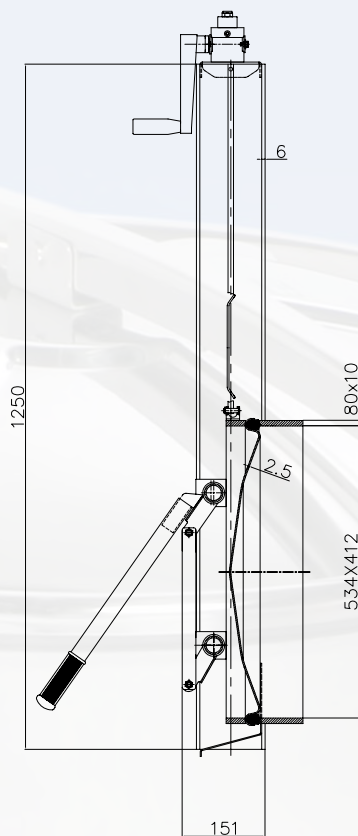


Upper lid cone for total unloading model: D32  
 Dimensions: Ø 400 / 450 / 500 / 600 mm  
 Standard handle: DD016D32  
 Material: AISI 304 or AISI 316L  
 Standard gasket: Silicone  
 Gasket on request: EPDM, PARA, NBR, VITON  
 On request with sight-glass or male part  
 Height of frame on request

Code	Mat.	Gasket
P2-D32-400/150-1.4301/P	304	PARA
P2-D32-400/150-1.4301/E	304	EPDM
P2-D32-400/150-1.4301/N	304	NBR
P2-D32-400/150-1.4301/S	304	Silicone
P2-D32-400/150-1.4301/V	304	VITON
P2-D32-400/150-1.4404/P	316L	PARA
P2-D32-400/150-1.4404/E	316L	EPDM
P2-D32-400/150-1.4404/N	316L	NBR
P2-D32-400/150-1.4404/S	316L	Silicone
P2-D32-400/150-1.4404/V	316L	VITON
Ø 400 mm, H=150 mm		
-1/+4 bar (60 / 90 °C)		

Code	Mat.	Gasket
P2-D32-800/150-1.4301/P	304	PARA
P2-D32-900/150-1.4301/P	304	PARA
P2-D32-1000/150-1.4301/P	304	PARA
coding of variants:		
P2	Manholes II.	
D32	Model	
	B	A (No.) °C bar
400	400	4 60/90 -1/+4
450	450	6 60/90 -1/+4
500	500	6 60/90 -1/+3
600	600	6 60/90 -1/+2
1.4301/1.4404	Manhole material	
P/E/N/S/V	Gasket material	

# G1E



**Rectangular manhole door type “Guillotine“:** G1E

**Dimensions:** 530 x 410 mm

**Max. working pressure:** +0,8 bar

**Material:** AISI 304 or AISI 316L

**Standard gasket:** natural rubber (PARA)

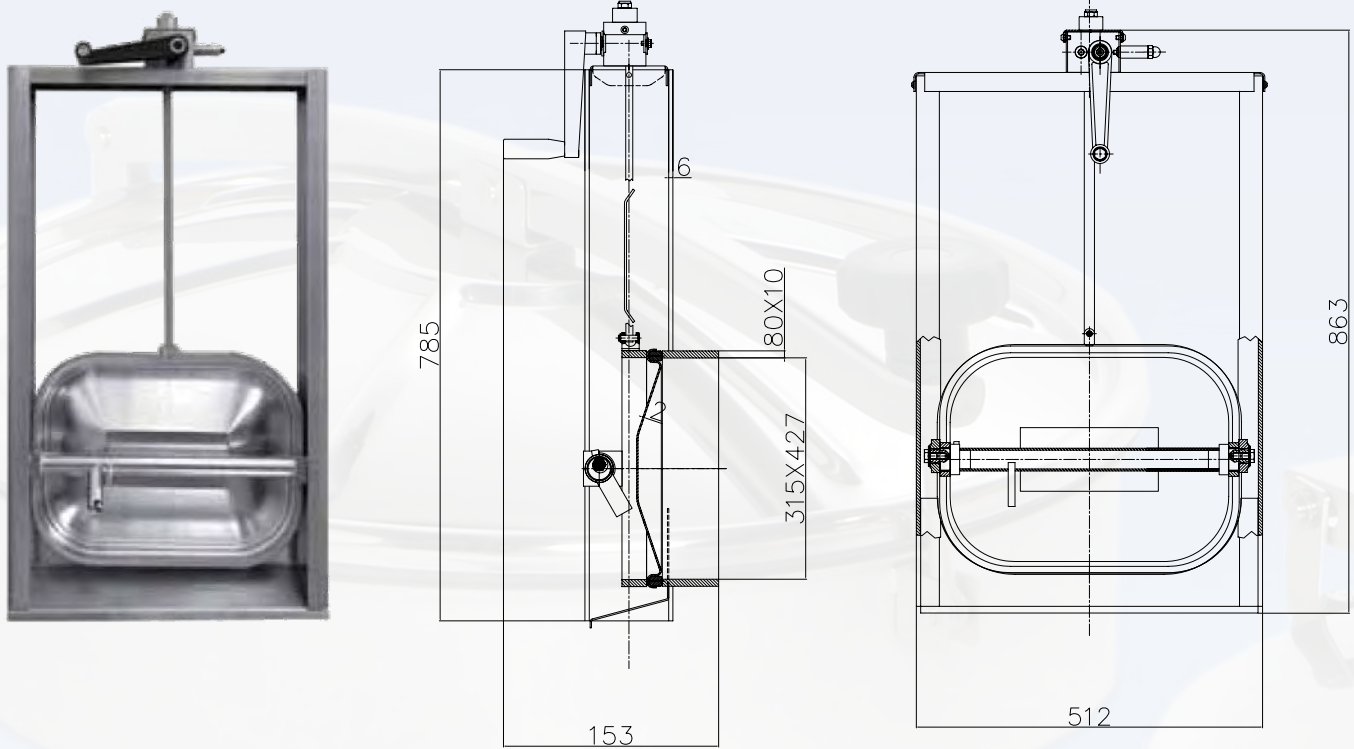
**Gasket on request:** EPDM, Silicone, NBR, VITON

**Vertical guillotine opening**

**COGWHEEL APPLICATION**

Code	Mat.	Gasket
P2-G1E-1.4301/P	304	PARA
P2-G1E-1.4301/E	304	EPDM
P2-G1E-1.4301/N	304	NBR
P2-G1E-1.4301/S	304	Silicone
P2-G1E-1.4301/V	304	VITON
P2-G1E-1.4404/P	316L	PARA
P2-G1E-1.4404/E	316L	EPDM
P2-G1E-1.4404/N	316L	NBR
P2-G1E-1.4404/S	316L	Silicone
P2-G1E-1.4404/V	316L	VITON

**Weight 54,0 kg**



**Rectangular manhole door type “Guillotine“:** G4E

**Dimensions:** 310 x 420 mm

**Max. working pressure:** +0,8 bar

**Material:** AISI 304 or AISI 316L

**Standard gasket:** natural rubber (PARA)

**Gasket on request:** EPDM, Silicone, NBR, VITON

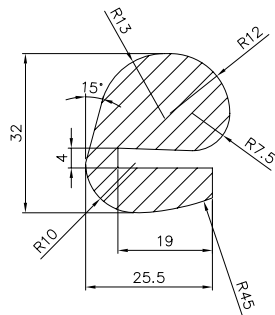
**Vertical guillotine opening  
COGWHEEL APPLICATION**

Code	Mat.	Gasket
P2-G4E-1.4301/P	304	PARA
P2-G4E-1.4301/E	304	EPDM
P2-G4E-1.4301/N	304	NBR
P2-G4E-1.4301/S	304	Silicone
P2-G4E-1.4301/V	304	VITON
P2-G4E-1.4404/P	316L	PARA
P2-G4E-1.4404/E	316L	EPDM
P2-G4E-1.4404/N	316L	NBR
P2-G4E-1.4404/S	316L	Silicone
P2-G4E-1.4404/V	316L	VITON

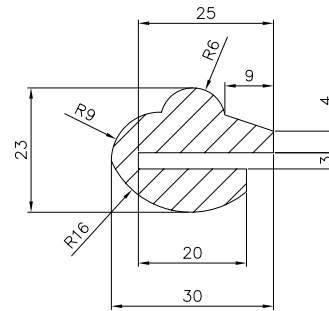
**Weight 40,0 kg**

# Gaskets

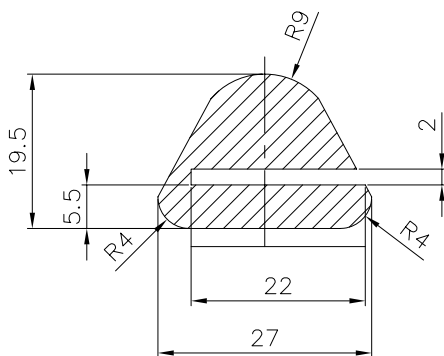
**A1**



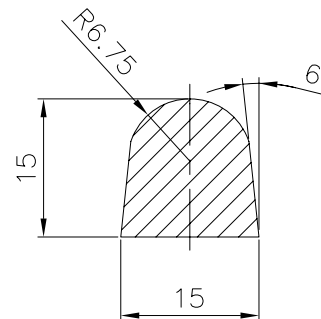
**A2 / A4 / A17 / A18 / A26 / A27**



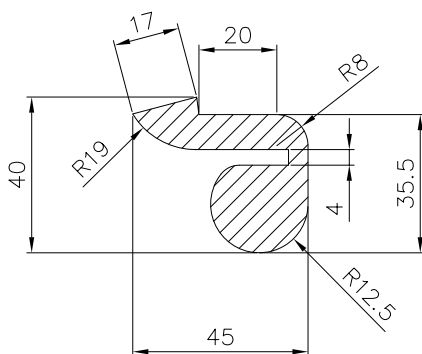
**A3 / A5**



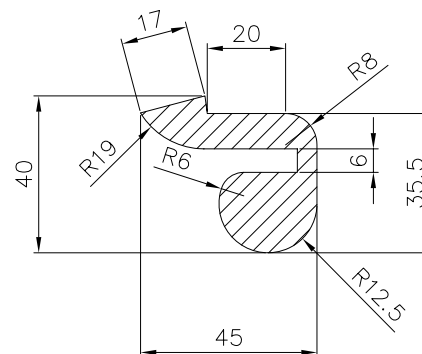
**A6 / A7 / A8 / A9 / A10 / A13  
A14 / A20 / A24**



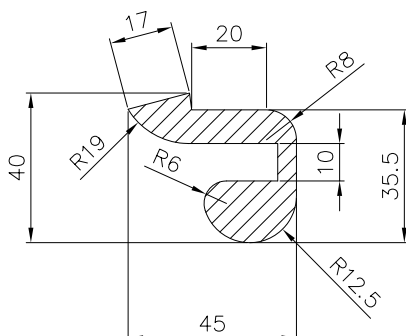
**A11-A12 - 4 mm**



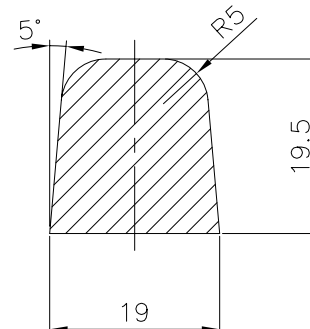
**A11-A12 - 6 mm**



**A11-A12 - 10 mm**

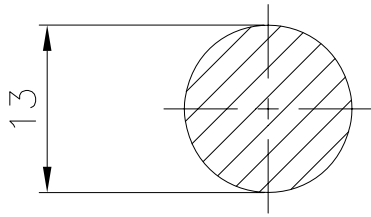


**A15-A16-A21-A31**

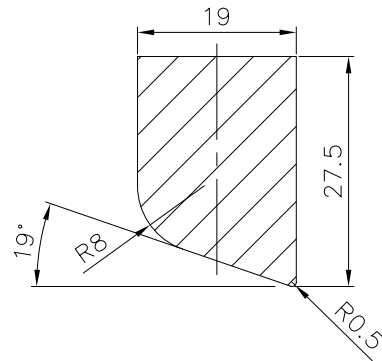


# Gaskets

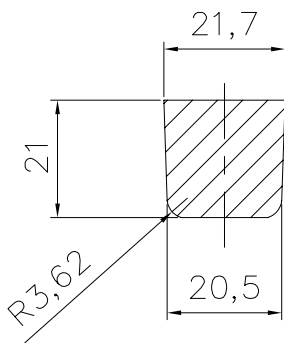
**A19 / A22 / A23**



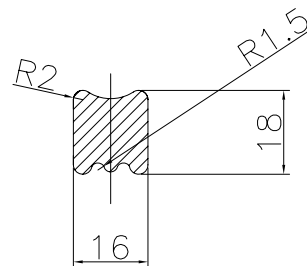
**A25**



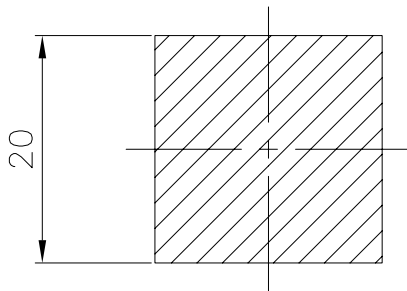
**A29**



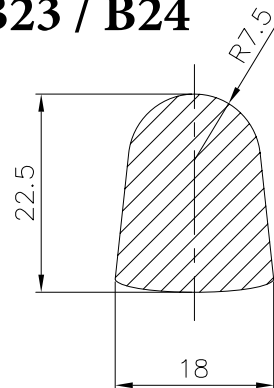
**A30**



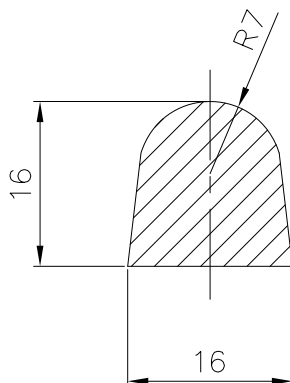
**B1**



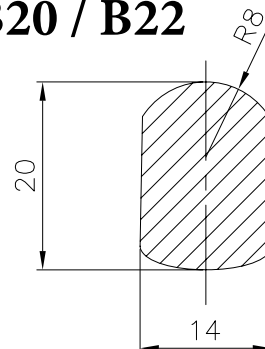
**B2 / B6 / B11 / B12 / B15  
B18 / B23 / B24**



**B3 / B13 / B16**

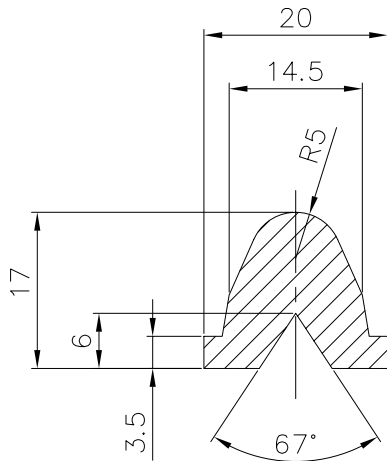


**A30 / B4 / B5 / B7 / B10  
B14 / B20 / B22**

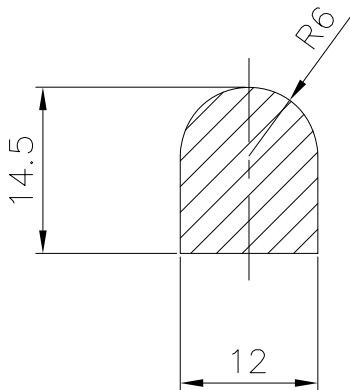


# Gaskets

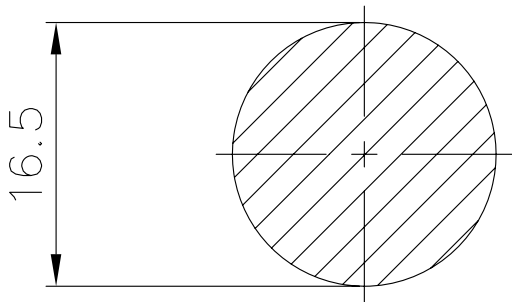
**D1**



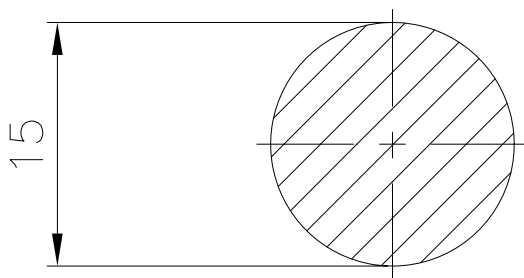
**D9 / D12 (Ø 150 mm)**



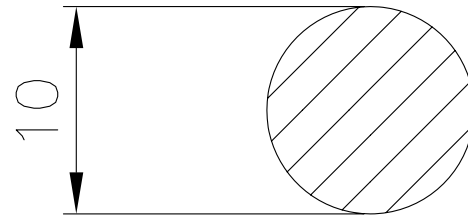
**D9 / D12 (Ø 250 mm)**



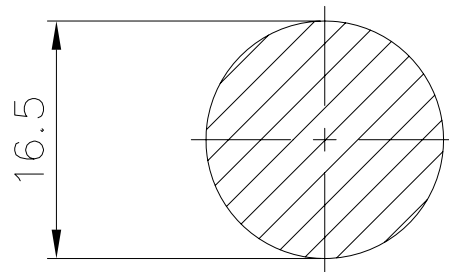
**C3 / D9 / D12 (Ø 360 mm)**



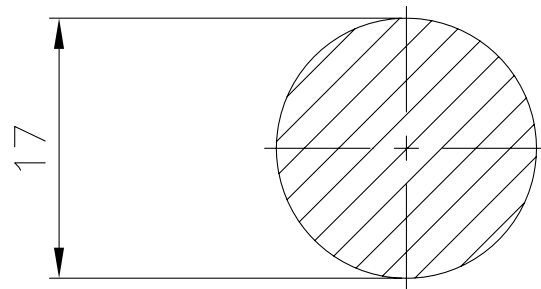
**D2 / D3 / D13 / D26 / A28**



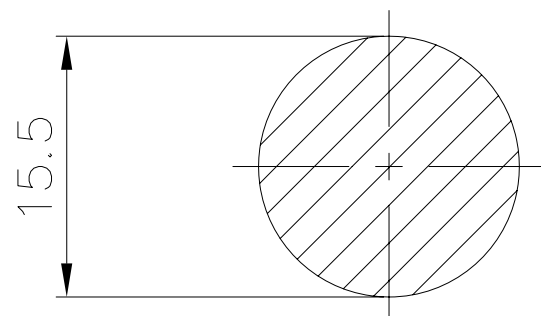
**D10 / D11 / D12 (Ø 200 mm)**



**C3 / C5 / D9 / D12 (Ø 300 mm)**

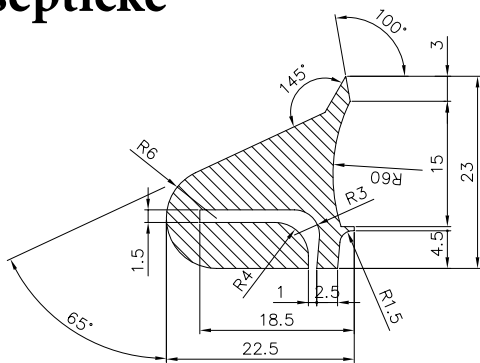


**D7 / D9 / D12 (Ø 385 mm)**

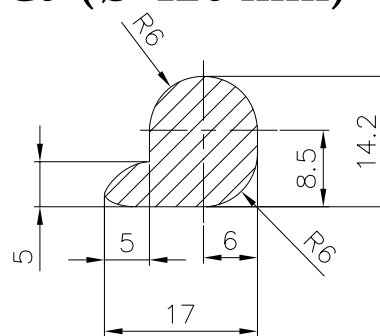


# Gaskets

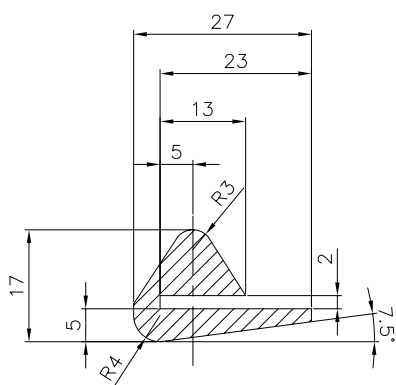
**D8 / D14 / D15 / D20 / D22**  
**aseptické**



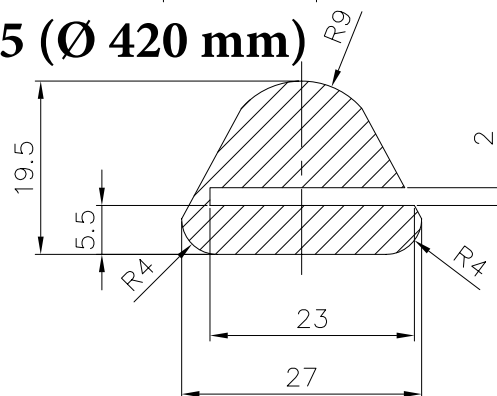
**C2 / C3 (Ø 420 mm)**



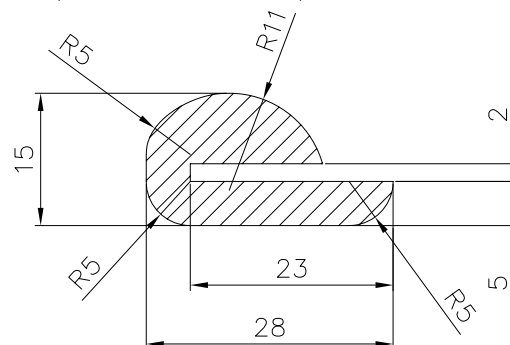
**D8 / D15 / D20 / D22**



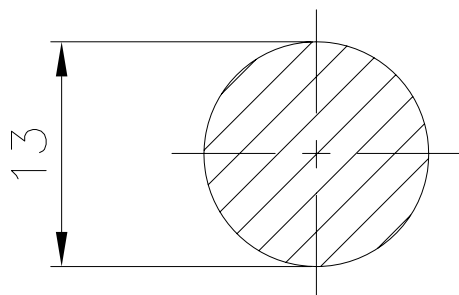
**D5 (Ø 420 mm)**



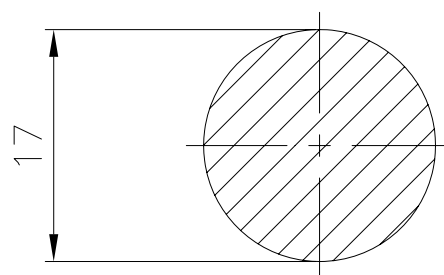
**D5 (Ø 460 mm)**



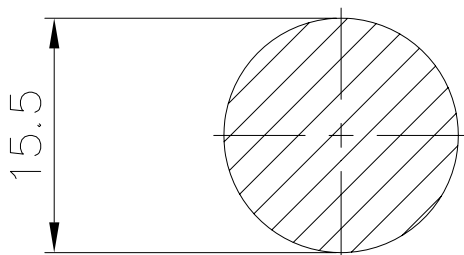
**C1 / C4 / C5 / D4 / D6**  
**D7 / D9 / D12 (Ø 420 mm)**



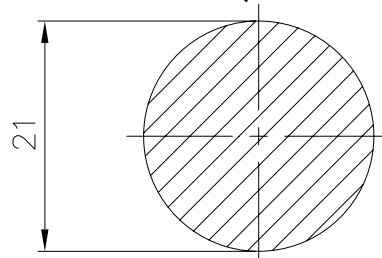
**D6 / D7 / D9 / D12 (Ø 500 mm)**



**D6 / D7 / D9 / D12**  
**(Ø 460 mm)**



**D9-D7-D9-D12 (Ø 600 mm)**





# Handles

## CHVQDRZ101

(Pressed stainless steel spanner for model C1-C2-C3)



## CHVQDRZ102

(Pressed stainless steel spanner for model C4-C5)



## GLLBRZ1201

(Bronze plated wing nut M12 for model B18-B20-D12-D31)



## VLT1207004

(Nylon hand-wheel diam. 70 with brass bearing M12 black for model D5-D7-D8-D9-D10-D11-D14-D17-D18-D19-D20-D22)



## VLT129001S

(Stainless steel hand-wheel diam.90 with brass bearing M12 for model D15-D19)



## VLT12RZ101L

(Hand-wheel with one stainless steel spoke for model D4)



## VLT1609004

(Nylon hand-wheel diam. 90 with brass bearing M16 for model D2-D3-D6)



## VLT1609003S

(Stainless steel hand-wheel diam. 90 M16 for model D2-D3-D13)



# Handles

## VLT1809003

(Nylon hand-wheel diam.90 with brass bearing M18 x 1,5 for model A9-A10-A14-B16-D4)



## VLT1809002L

(Stainless steel hand-wheel diam.90 with brass bearing M18 x 1,5 for model A19-A23)



## VLT181001L

(Stainless steel hand-wheel diam. 100 mm with brass bearing M18x1.5)



## VLT1810003

(Bronze plated hand-wheel diam. 100 M18x1.5)



## VLT1816004

(Nylon hand-wheel diam.160 with brass bearing M18 x 1,5 for model A3-A5-A6-A7-A8-A13-B1-B2)



## VLT18RZ202L

(Stainless steel hand-wheel with two poker, brass bearing M18x1.5, economic version)



## VLT18RZ205L

(Stainless steel hand-wheel with two poker M18 for model D1)



## VLT22RZ201L

(Stainless steel hand-wheel with two spokes, brass bearing M22 for model A1-A2-A17-A18)



## VLT22RZ201S

(Stainless steel hand-wheel with two poker M22 for model A15-A16-A26)



## VLT27RZ201L

(Stainless steel hand-wheel with two poker M27 for model A11-A12)

