

## ASEPTIC PROGRAM



Steril Verschraubung STERI-Connect®

DIN	pipe	A	B	C	D	E (M)
DN 6	8,0 x 1,0	8,0	6,0	67,0	SW19	16 x 1,5
DN 8	10,0 x 1,0	10,0	8,0	67,0	SW22	18 x 1,5
DN 10	12,0 x 1,0	12,0	10,0	68,0	SW27	22 x 1,5
DN 10	13,0 x 1,5	13,0	10,0	68,0	SW27	22 x 1,5
DN 15	19,0 x 1,5	19,0	16,0	68,0	42,0	30 x 1,5
DN 20	23,0 x 1,5	23,0	20,0	70,0	48,0	36 x 2,0
DN 25	29,0 x 1,5	29,0	26,0	81,0	55,0	42 x 2,0
DN 32	35,0 x 1,5	35,0	32,0	82,0	65,0	52 x 2,0
DN 40	41,0 x 1,5	41,0	38,0	83,0	70,0	56 x 2,0
DN 50	53,0 x 1,5	53,0	50,0	84,0	82,0	68 x 2,0
DN 65	70,0 x 2,0	70,0	66,0	112,0	105,0	90 x 3,0
DN 80	85,0 x 2,0	85,0	81,0	112,0	115,0	100 x 3,0
DN 100	104,0 x 2,0	104,0	100,0	114,0	145,0	130 x 4,0

ISO	pipe	A	B	C	D	E
DN 8	13,5 x 1,6	13,5	10,3	67,0	SW27	22 x 1,5
DN 10	17,2 x 1,6	17,2	14,0	68,0	SW30	26 x 1,5
DN 15	21,3 x 1,6	21,3	18,1	68,0	42,0	30 x 1,5
DN 20	26,9 x 1,6	26,9	23,7	70,0	48,0	36 x 2,0
DN 25	33,7 x 2,0	33,7	29,7	81,0	55,0	42 x 2,0
DN 32	42,4 x 2,0	42,4	38,4	82,0	65,0	52 x 2,0
DN 40	48,3 x 2,0	48,3	44,3	83,0	70,0	56 x 2,0
DN 50	60,3 x 2,0	60,3	56,3	84,0	82,0	68 x 2,0
DN 65	76,1 x 2,0	76,1	72,1	112,0	105,0	90 x 3,0
DN 80	88,9 x 2,3	88,9	84,3	112,0	115,0	100 x 3,0
DN 100	114,3 x 2,3	114,3	109,7	114,0	145,0	130 x 4,0

Aseptic screwed pipe complete union  
STERI-Connect®

## Dimensions:

DIN 11866-A (DIN 11850)

DIN 11866-B (EN ISO 1127)

na přání DIN 11866-C (ASME BPE)

## Marking:

dimension, material, heat number

## Tolerance:

ISO 2768-1

## Material:

AISI 316L at medium contact surface

AISI 304 nut (not at medium contact surface)

EPDM těsnění

## Certificate (on demand):

EN 10204 3.1

EN 10204 3.1 AD-W2 (for selected items)

## Standard surface („MB“):

inside: Ra ≤ 0,8 μm

outside: Ra ≤ 1,6 μm

## Inner surface variants:

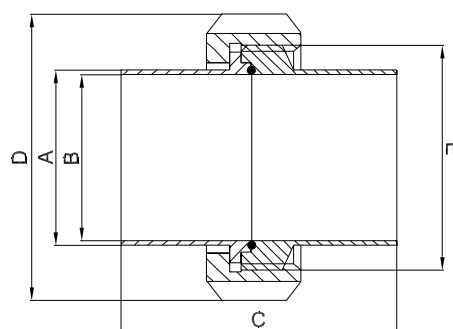
electrochemical polished

Ra ≤ 0,6 μm (STERI-line®)

Ra ≤ 0,5 μm (STERI-line®)

Ra ≤ 0,4 μm (HQ-line®)

Ra ≤ 0,25 μm (HQ-line®)

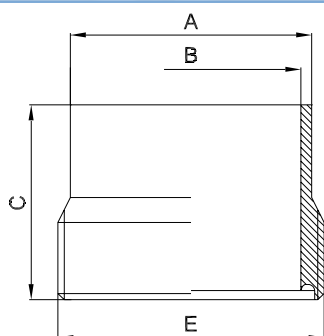


## ASEPTIC PROGRAM

### Aseptic male part STERI-Connect®



Steril Gewindestutzen STERI-Connect®



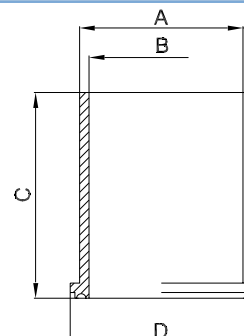
DIN	pipe	A	B	C	E (M)
DN 6	8,0 x 1,0	8,0	6,0	36,0	16 x 1,5
DN 8	10,0 x 1,0	10,0	8,0	36,0	18 x 1,5
DN 10	12,0 x 1,0	12,0	10,0	37,0	22 x 1,5
DN 10	13,0 x 1,5	13,0	10,0	37,0	22 x 1,5
DN 15	19,0 x 1,5	19,0	16,0	37,0	30 x 1,5
DN 20	23,0 x 1,5	23,0	20,0	39,0	36 x 2,0
DN 25	29,0 x 1,5	29,0	26,0	44,0	42 x 2,0
DN 32	35,0 x 1,5	35,0	32,0	45,0	52 x 2,0
DN 40	41,0 x 1,5	41,0	38,0	46,0	56 x 2,0
DN 50	53,0 x 1,5	53,0	50,0	47,0	68 x 2,0
DN 65	70,0 x 2,0	70,0	66,0	64,0	90 x 3,0
DN 80	85,0 x 2,0	85,0	81,0	64,0	100 x 3,0
DN 100	104,0 x 2,0	104,0	100,0	66,0	130 x 4,0

ISO	pipe	A	B	C	E (M)
DN 8	13,5 x 1,6	13,5	10,3	37,0	22 x 1,5
DN 10	17,2 x 1,6	17,2	14,0	37,0	26 x 1,5
DN 15	21,3 x 1,6	21,3	18,1	37,0	30 x 1,5
DN 20	26,9 x 1,6	26,9	23,7	39,0	36 x 2,0
DN 25	33,7 x 2,0	33,7	29,7	44,0	42 x 2,0
DN 32	42,4 x 2,0	42,4	38,4	45,0	52 x 2,0
DN 40	48,3 x 2,0	48,3	44,3	46,0	56 x 2,0
DN 50	60,3 x 2,0	60,3	56,3	47,0	68 x 2,0
DN 65	76,1 x 2,0	76,1	72,1	64,0	90 x 3,0
DN 80	88,9 x 2,3	88,9	84,3	64,0	100 x 3,0
DN 100	114,3 x 2,3	114,3	109,7	66,0	130 x 4,0

### Aseptic liner STERI-Connect®



Steril Bundstutzen STERI-Connect®



DIN	pipe	A	B	C	D
DN 6	8,0 x 1,0	8,0	6,0	33,0	13,0
DN 8	10,0 x 1,0	10,0	8,0	33,0	15,0
DN 10	12,0 x 1,0	12,0	10,0	33,0	19,0
DN 10	13,0 x 1,5	13,0	10,0	33,0	19,0
DN 15	19,0 x 1,5	19,0	16,0	33,0	27,0
DN 20	23,0 x 1,5	23,0	20,0	33,0	33,0
DN 25	29,0 x 1,5	29,0	26,0	39,0	39,0
DN 32	35,0 x 1,5	35,0	32,0	39,0	49,0
DN 40	41,0 x 1,5	41,0	38,0	39,0	53,0
DN 50	53,0 x 1,5	53,0	50,0	39,0	65,0
DN 65	70,0 x 2,0	70,0	66,0	50,0	85,0
DN 80	85,0 x 2,0	85,0	81,0	50,0	95,0
DN 100	104,0 x 2,0	104,0	100,0	50,0	124,0

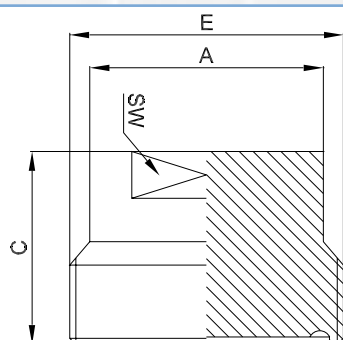
ISO	pipe	A	B	C	D
DN 8	13,5 x 1,6	13,5	10,3	33,0	19,0
DN 10	17,2 x 1,6	17,2	14,0	33,0	23,0
DN 15	21,3 x 1,6	21,3	18,1	33,0	27,0
DN 20	26,9 x 1,6	26,9	23,7	33,0	33,0
DN 25	33,7 x 2,0	33,7	29,7	39,0	39,0
DN 32	42,4 x 2,0	42,4	38,4	39,0	49,0
DN 40	48,3 x 2,0	48,3	44,3	39,0	53,0
DN 50	60,3 x 2,0	60,3	56,3	39,0	65,0
DN 65	76,1 x 2,0	76,1	72,1	50,0	85,0
DN 80	88,9 x 2,3	88,9	84,3	50,0	95,0
DN 100	114,3 x 2,3	114,3	109,7	50,0	124,0

## ASEPTIC PROGRAM

### Aseptic blind male part STERI-Connect®



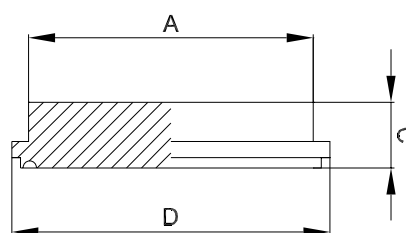
Steril Blindgewindestutzen STERI-Connect®



### Aseptic blind liner STERI-Connect®



Steril Blindbundstutzen STERI-Connect®



DIN	pipe	A	C	E (M)	SW
DN 6	8,0 x 1,0	8,0	26,0	16 x 1,5	10,0
DN 8	10,0 x 1,0	10,0	26,0	18 x 1,5	10,0
DN 10	12,0 x 1,0	12,0	27,0	22 x 1,5	14,0
DN 10	13,0 x 1,5	13,0	27,0	22 x 1,5	14,0
DN 15	19,0 x 1,5	19,0	27,0	30 x 1,5	16,0
DN 20	23,0 x 1,5	23,0	27,0	36 x 2,0	20,0
DN 25	29,0 x 1,5	29,0	27,0	42 x 2,0	24,0
DN 32	35,0 x 1,5	35,0	29,0	52 x 2,0	30,0
DN 40	41,0 x 1,5	41,0	30,0	56 x 2,0	36,0
DN 50	53,0 x 1,5	53,0	30,0	68 x 2,0	36,0
DN 65	70,0 x 2,0	70,0	38,0	90 x 3,0	36,0
DN 80	85,0 x 2,0	85,0	38,0	100 x 3,0	36,0
DN 100	104,0 x 2,0	104,0	40,0	130 x 4,0	36,0

DIN	pipe	A	C	D
DN 6	8,0 x 1,0	8,0	9,0	13,0
DN 8	10,0 x 1,0	10,0	9,0	15,0
DN 10	12,0 x 1,0	12,0	9,0	19,0
DN 10	13,0 x 1,5	13,0	9,0	19,0
DN 15	19,0 x 1,5	19,0	9,0	27,0
DN 20	23,0 x 1,5	23,0	9,0	33,0
DN 25	29,0 x 1,5	29,0	10,0	39,0
DN 32	35,0 x 1,5	35,0	10,0	49,0
DN 40	41,0 x 1,5	41,0	10,0	53,0
DN 50	53,0 x 1,5	53,0	10,0	65,0
DN 65	70,0 x 2,0	70,0	11,0	85,0
DN 80	85,0 x 2,0	85,0	11,0	95,0
DN 100	104,0 x 2,0	104,0	11,0	124,0

ISO	pipe	A	B	E (M)	SW
DN 8	13,5 x 1,6	13,5	27,0	22 x 1,5	10,0
DN 10	17,2 x 1,6	17,2	27,0	26 x 1,5	14,0
DN 15	21,3 x 1,6	21,3	26,0	30 x 1,5	16,0
DN 20	26,9 x 1,6	26,9	28,0	36 x 1,5	20,0
DN 25	33,7 x 2,0	33,7	29,0	42 x 2,0	24,0
DN 32	42,4 x 2,0	42,4	30,0	52 x 2,0	30,0
DN 40	48,3 x 2,0	48,3	30,0	56 x 2,0	36,0
DN 50	60,3 x 2,0	60,3	31,0	68 x 2,0	36,0
DN 65	76,1 x 2,0	76,1	38,0	90 x 3,0	36,0
DN 80	88,9 x 2,3	88,9	38,0	100 x 3,0	36,0
DN 100	114,3 x 2,3	114,3	40,0	130 x 4,0	36,0

ISO	pipe	A	C	D
DN 8	13,5 x 1,6	13,5	9,0	19,0
DN 10	17,2 x 1,6	17,2	9,0	23,0
DN 15	21,3 x 1,6	21,3	9,0	27,0
DN 20	26,9 x 1,6	26,9	9,0	33,0
DN 25	33,7 x 2,0	33,7	10,0	39,0
DN 32	42,4 x 2,0	42,4	10,0	49,0
DN 40	48,3 x 2,0	48,3	10,0	53,0
DN 50	60,3 x 2,0	60,3	10,0	65,0
DN 65	76,1 x 2,0	76,1	11,0	85,0
DN 80	88,9 x 2,3	88,9	11,0	95,0
DN 100	114,3 x 2,3	114,3	11,0	124,0

## ASEPTIC PROGRAM

Aseptic nut STERI-Connect®

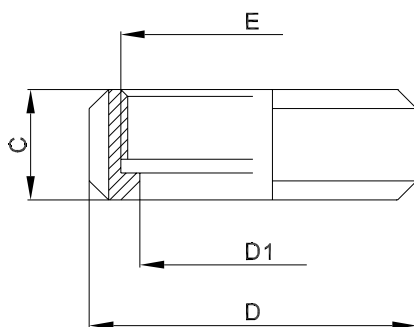


Steril Nutmutter STERI-Connect®

Aseptic seal ring STERI-Connect®



Steril Dichtring STERI-Connect®



DIN	pipe	C	D	D1	E (M)
DN 6	8,0 x 1,0	14,0	SW19	8,5	16 x 1,5
DN 8	10,0 x 1,0	14,0	SW22	10,5	18 x 1,5
DN 10	12,0 x 1,0	15,0	SW27	12,5	22 x 1,5
DN 10	13,0 x 1,5	15,0	SW27	13,5	22 x 1,5
DN 15	19,0 x 1,5	15,5	42,0	19,5	30 x 1,5
DN 20	23,0 x 1,5	17,0	48,0	23,5	36 x 2,0
DN 25	29,0 x 1,5	18,0	55,0	29,5	42 x 2,0
DN 32	35,0 x 1,5	19,0	65,0	35,5	52 x 2,0
DN 40	41,0 x 1,5	21,0	70,0	41,5	56 x 2,0
DN 50	53,0 x 1,5	21,0	82,0	53,5	68 x 2,0
DN 65	70,0 x 2,0	27,0	105,0	70,5	90 x 3,0
DN 80	85,0 x 2,0	27,0	115,0	85,5	100 x 3,0
DN 100	104,0 x 2,0	29,0	145,0	104,5	130 x 4,0

ISO	pipe	C	D	D1	E (M)
DN 8	13,5 x 1,6	15,0	SW27	14,0	22 x 1,5
DN 10	17,2 x 1,6	15,5	SW30	17,7	26 x 1,5
DN 15	21,3 x 1,6	15,5	42,0	21,8	30 x 1,5
DN 20	26,9 x 1,6	17,0	48,0	27,4	36 x 2,0
DN 25	33,7 x 2,0	18,0	55,0	34,2	42 x 2,0
DN 32	42,4 x 2,0	19,0	65,0	42,9	52 x 2,0
DN 40	48,3 x 2,0	21,0	70,0	48,8	56 x 2,0
DN 50	60,3 x 2,0	21,0	82,0	60,8	68 x 2,0
DN 65	76,1 x 2,0	27,0	105,0	76,6	90 x 3,0
DN 80	88,9 x 2,3	27,0	115,0	89,4	100 x 3,0
DN 100	114,3 x 2,3	29,0	145,0	114,8	130 x 4,0

DIN	pipe	dimens.		
DN 6	8,0 x 1,0	6 x 2,0		
DN 8	10,0 x 1,0	8 x 2,0		
DN 10	12,0 x 1,0	11 x 2,5		
DN 10	13,0 x 1,5	11 x 2,5		
DN 15	19,0 x 1,5	17 x 2,5		
DN 20	23,0 x 1,5	21 x 2,5		
DN 25	29,0 x 1,5	27 x 3,0		
DN 32	35,0 x 1,5	33 x 3,0		
DN 40	41,0 x 1,5	39 x 3,0		
DN 50	53,0 x 1,5	51 x 3,0		
DN 65	70,0 x 2,0	67 x 3,0		
DN 80	85,0 x 2,0	82 x 3,0		
DN 100	104,0 x 2,0	100 x 3,0		

ISO	pipe	dimens.		
DN 8	13,5 x 1,6	11 x 2,0		
DN 10	17,2 x 1,6	15 x 2,5		
DN 15	21,3 x 1,6	19 x 2,5		
DN 20	26,9 x 1,6	24 x 2,5		
DN 25	33,7 x 2,0	30 x 3,0		
DN 32	42,4 x 2,0	39 x 3,0		
DN 40	48,3 x 2,0	45 x 3,0		
DN 50	60,3 x 2,0	57 x 3,0		
DN 65	76,1 x 2,0	72,5 x 3,0		
DN 80	88,9 x 2,3	85 x 3,0		
DN 100	114,3 x 2,3	109,5 x 3,0		