

ASEPTIC PROGRAM

Aseptic CLAMP complete connection
STERI-Connet®

Dimensions:

DIN 11866-A (DIN 11850)

DIN 11866-B (EN ISO 1127)

na přání DIN 11866-C (ASME BPE)

Marking:

dimension, material, heat number

Tolerance:

ISO 2768-1

Material:

AISI 316L at medium contact surface

AISI 304 objímka Clamp

EPDM seal (standard), other materials on demand

Certificate (on demand):

EN 10204 3.1

EN 10204 3.1 AD-W2 (for selected items)

Standard surface („MB“):

inside: Ra ≤ 0,8 μm

outside: Ra ≤ 1,6 μm

Inner surface variants:

electrochemical polished

Ra ≤ 0,6 μm (STERI-line®)

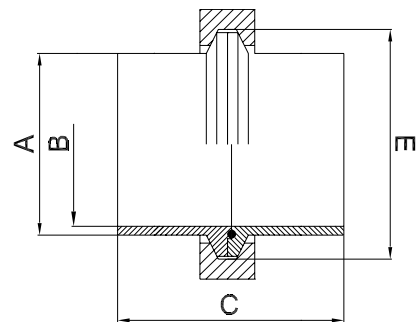
Ra ≤ 0,5 μm (STERI-line®)

Ra ≤ 0,4 μm (HQ-line®)

Ra ≤ 0,25 μm (HQ-line®)

DIN	pipe	A	B	C	E
DN 6	8,0 x 1,0	8,0	6,0	68,0	Ø 25,0
DN 8	10,0 x 1,0	10,0	8,0	68,0	Ø 25,0
DN 10	12,0 x 1,0	12,0	10,0	68,0	Ø 25,0
DN 10	13,0 x 1,5	13,0	10,0	68,0	Ø 25,0
DN 15	19,0 x 1,5	19,0	16,0	68,0	Ø 25,0
DN 20	23,0 x 1,5	23,0	20,0	68,0	Ø 50,5
DN 25	29,0 x 1,5	29,0	26,0	76,0	Ø 50,5
DN 32	35,0 x 1,5	35,0	32,0	76,0	Ø 50,5
DN 40	41,0 x 1,5	41,0	38,0	76,0	Ø 64,0
DN 50	53,0 x 1,5	53,0	50,0	76,0	Ø 77,5
DN 65	70,0 x 2,0	70,0	66,0	96,0	Ø 91,0
DN 80	85,0 x 2,0	85,0	81,0	96,0	Ø 106,0
DN 100	104,0 x 2,0	104,0	100,0	96,0	Ø 119,0

ISO	pipe	A	B	C	E
DN 8	13,5 x 1,6	13,5	10,3	68,0	Ø 25,0
DN 10	17,2 x 1,6	17,2	14,0	68,0	Ø 25,0
DN 15	21,3 x 1,6	21,3	18,1	68,0	Ø 50,5
DN 20	26,9 x 1,6	26,9	23,7	68,0	Ø 50,5
DN 25	33,7 x 2,0	33,7	29,7	76,0	Ø 50,5
DN 32	42,4 x 2,0	42,4	38,4	76,0	Ø 50,5
DN 40	48,3 x 2,0	48,3	44,3	76,0	Ø 64,0
DN 50	60,3 x 2,0	60,3	56,3	76,0	Ø 77,5
DN 65	76,1 x 2,0	76,1	72,1	96,0	Ø 91,0
DN 80	88,9 x 2,3	88,9	84,3	96,0	Ø 106,0
DN 100	114,3 x 2,3	114,3	109,7	96,0	Ø 130,0

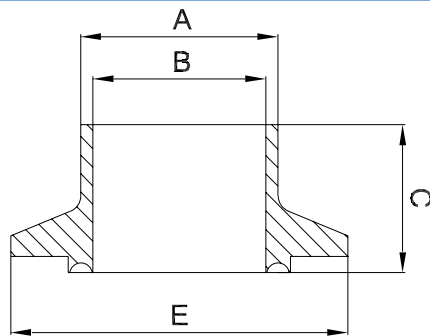


ASEPTIC PROGRAM

Aseptic ferrule Clamp VS - STERI-Connet®



Steril Clampstutzen - VS



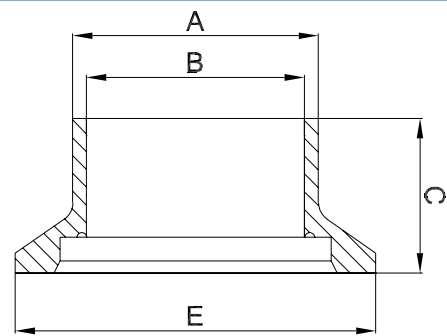
DIN	pipe	A	B	C	E
DN 6	8,0 x 1,0	8,0	6,0	35,0	Ø 25,0
DN 8	10,0 x 1,0	10,0	8,0	35,0	Ø 25,0
DN 10	12,0 x 1,0	12,0	10,0	35,0	Ø 25,0
DN 10	13,0 x 1,5	13,0	10,0	35,0	Ø 25,0
DN 15	19,0 x 1,5	19,0	16,0	35,0	Ø 25,0
DN 20	23,0 x 1,5	23,0	20,0	35,0	Ø 50,5
DN 25	29,0 x 1,5	29,0	26,0	39,0	Ø 50,5
DN 32	35,0 x 1,5	35,0	32,0	39,0	Ø 50,5
DN 40	41,0 x 1,5	41,0	38,0	39,0	Ø 64,0
DN 50	53,0 x 1,5	53,0	50,0	39,0	Ø 77,5
DN 65	70,0 x 2,0	70,0	66,0	49,0	Ø 91,0
DN 80	85,0 x 2,0	85,0	81,0	49,0	Ø 106,0
DN 100	104,0 x 2,0	104,0	100,0	49,0	Ø 119,0

ISO	pipe	A	B	C	E
DN 8	13,5 x 1,6	13,5	10,3	35,0	Ø 25,0
DN 10	17,2 x 1,6	17,2	14,0	35,0	Ø 25,0
DN 15	21,3 x 1,6	21,3	18,1	35,0	Ø 50,5
DN 20	26,9 x 1,6	26,9	23,7	35,0	Ø 50,5
DN 25	33,7 x 2,0	33,7	29,7	39,0	Ø 50,5
DN 32	42,4 x 2,0	42,4	38,4	39,0	Ø 50,5
DN 40	48,3 x 2,0	48,3	44,3	39,0	Ø 64,0
DN 50	60,3 x 2,0	60,3	56,3	39,0	Ø 77,5
DN 65	76,1 x 2,0	76,1	72,1	49,0	Ø 91,0
DN 80	88,9 x 2,3	88,9	84,3	49,0	Ø 106,0
DN 100	114,3 x 2,3	114,3	109,7	49,0	Ø 130,0

Aseptic ferrule Clamp RS - STERI-Connet®



Steril Clampstutzen - RS



DIN	pipe	A	B	C	E
DN 6	8,0 x 1,0	8,0	6,0	35,0	Ø 25,0
DN 8	10,0 x 1,0	10,0	8,0	35,0	Ø 25,0
DN 10	12,0 x 1,0	12,0	10,0	35,0	Ø 25,0
DN 10	13,0 x 1,5	13,0	10,0	35,0	Ø 25,0
DN 15	19,0 x 1,5	19,0	16,0	35,0	Ø 25,0
DN 20	23,0 x 1,5	23,0	20,0	35,0	Ø 50,5
DN 25	29,0 x 1,5	29,0	26,0	39,0	Ø 50,5
DN 32	35,0 x 1,5	35,0	32,0	39,0	Ø 50,5
DN 40	41,0 x 1,5	41,0	38,0	39,0	Ø 64,0
DN 50	53,0 x 1,5	53,0	50,0	39,0	Ø 77,5
DN 65	70,0 x 2,0	70,0	66,0	49,0	Ø 91,0
DN 80	85,0 x 2,0	85,0	81,0	49,0	Ø 106,0
DN 100	104,0 x 2,0	104,0	100,0	49,0	Ø 119,0

ISO	pipe	A	B	C	E
DN 8	13,5 x 1,6	13,5	10,3	35,0	Ø 25,0
DN 10	17,2 x 1,6	17,2	14,0	35,0	Ø 25,0
DN 15	21,3 x 1,6	21,3	18,1	35,0	Ø 50,5
DN 20	26,9 x 1,6	26,9	23,7	35,0	Ø 50,5
DN 25	33,7 x 2,0	33,7	29,7	39,0	Ø 50,5
DN 32	42,4 x 2,0	42,4	38,4	39,0	Ø 50,5
DN 40	48,3 x 2,0	48,3	44,3	39,0	Ø 64,0
DN 50	60,3 x 2,0	60,3	56,3	39,0	Ø 77,5
DN 65	76,1 x 2,0	76,1	72,1	49,0	Ø 91,0
DN 80	88,9 x 2,3	88,9	84,3	49,0	Ø 106,0
DN 100	114,3 x 2,3	114,3	109,7	49,0	Ø 130,0

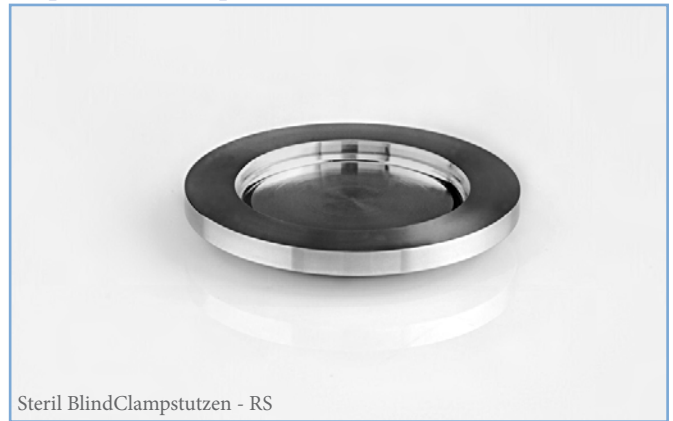
ASEPTIC PROGRAM

Aseptic blind Clamp VS - STERI-Connect®

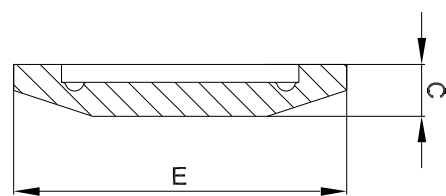
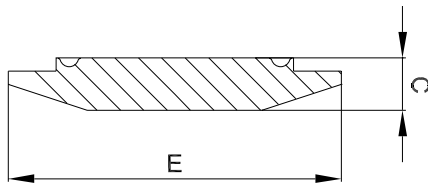


Steril BlindClampstutzen - VS

Aseptic blind Clamp RS - STERI-Connect®



Steril BlindClampstutzen - RS



DIN	pipe	C	E
DN 6	8,0 x 1,0	7,5	Ø 25,0
DN 8	10,0 x 1,0	7,5	Ø 25,0
DN 10	12,0 x 1,0	7,5	Ø 25,0
DN 10	13,0 x 1,5	7,5	Ø 25,0
DN 15	19,0 x 1,5	7,5	Ø 25,0
DN 20	23,0 x 1,5	9,0	Ø 50,5
DN 25	29,0 x 1,5	9,0	Ø 50,5
DN 32	35,0 x 1,5	9,0	Ø 50,5
DN 40	41,0 x 1,5	9,0	Ø 64,0
DN 50	53,0 x 1,5	9,0	Ø 77,5
DN 65	70,0 x 2,0	9,0	Ø 91,0
DN 80	85,0 x 2,0	11,0	Ø 106,0
DN 100	104,0 x 2,0	11,0	Ø 119,0

DIN	pipe	C	E
DN 6	8,0 x 1,0	7,5	Ø 25,0
DN 8	10,0 x 1,0	7,5	Ø 25,0
DN 10	12,0 x 1,0	7,5	Ø 25,0
DN 10	13,0 x 1,5	7,5	Ø 25,0
DN 15	19,0 x 1,5	7,5	Ø 25,0
DN 20	23,0 x 1,5	9,0	Ø 50,5
DN 25	29,0 x 1,5	9,0	Ø 50,5
DN 32	35,0 x 1,5	9,0	Ø 50,5
DN 40	41,0 x 1,5	9,0	Ø 64,0
DN 50	53,0 x 1,5	9,0	Ø 77,5
DN 65	70,0 x 2,0	9,0	Ø 91,0
DN 80	85,0 x 2,0	11,0	Ø 106,0
DN 100	104,0 x 2,0	11,0	Ø 119,0

ISO	pipe	C	E
DN 8	13,5 x 1,6	7,5	Ø 25,0
DN 10	17,2 x 1,6	7,5	Ø 25,0
DN 15	21,3 x 1,6	7,5	Ø 50,5
DN 20	26,9 x 1,6	9,0	Ø 50,5
DN 25	33,7 x 2,0	9,0	Ø 50,5
DN 32	42,4 x 2,0	9,0	Ø 50,5
DN 40	48,3 x 2,0	9,0	Ø 64,0
DN 50	60,3 x 2,0	9,0	Ø 77,5
DN 65	76,1 x 2,0	9,0	Ø 91,0
DN 80	88,9 x 2,3	11,0	Ø 106,0
DN 100	114,3 x 2,3	11,0	Ø 130,0

ISO	pipe	C	E
DN 8	13,5 x 1,6	7,5	Ø 25,0
DN 10	17,2 x 1,6	7,5	Ø 25,0
DN 15	21,3 x 1,6	7,5	Ø 50,5
DN 20	26,9 x 1,6	9,0	Ø 50,5
DN 25	33,7 x 2,0	9,0	Ø 50,5
DN 32	42,4 x 2,0	9,0	Ø 50,5
DN 40	48,3 x 2,0	9,0	Ø 64,0
DN 50	60,3 x 2,0	9,0	Ø 77,5
DN 65	76,1 x 2,0	9,0	Ø 91,0
DN 80	88,9 x 2,3	11,0	Ø 106,0
DN 100	114,3 x 2,3	11,0	Ø 130,0

ASEPTIC PROGRAM

Aseptic seal ring for Clamp connection STERI-Connet®



Steril Dichtring

DIN	pipe	dimens.		
DN 6	8,0 x 1,0	6 x 2,0		
DN 8	10,0 x 1,0	8 x 2,0		
DN 10	12,0 x 1,0	11 x 2,5		
DN 10	13,0 x 1,5	11 x 2,5		
DN 15	19,0 x 1,5	17 x 2,5		
DN 20	23,0 x 1,5	21 x 2,5		
DN 25	29,0 x 1,5	27 x 3,0		
DN 32	35,0 x 1,5	33 x 3,0		
DN 40	41,0 x 1,5	39 x 3,0		
DN 50	53,0 x 1,5	51 x 3,0		
DN 65	70,0 x 2,0	67 x 3,0		
DN 80	85,0 x 2,0	82 x 3,0		
DN 100	104,0 x 2,0	100 x 3,0		

ISO	pipe	dimens.		
DN 8	13,5 x 1,6	11 x 2,0		
DN 10	17,2 x 1,6	15 x 2,5		
DN 15	21,3 x 1,6	19 x 2,5		
DN 20	26,9 x 1,6	24 x 2,5		
DN 25	33,7 x 2,0	30 x 3,0		
DN 32	42,4 x 2,0	39 x 3,0		
DN 40	48,3 x 2,0	45 x 3,0		
DN 50	60,3 x 2,0	57 x 3,0		
DN 65	76,1 x 2,0	72,5 x 3,0		
DN 80	88,9 x 2,3	85 x 3,0		
DN 100	114,3 x 2,3	109,5 x 3,0		

Heavy duty CLAMP for union STERI-Connet®



Clampklammer
type: single pin

diam.	D	press. [bar]*	diam.	D	press. [bar]*
Ø 25,0	28,0	15	Ø 106,0	109,2	10
Ø 34,0	37,0	15	Ø 119,0	122,2	10
Ø 50,5	53,6	15	Ø 130,0	133,2	5
Ø 64,0	67,0	15	Ø 144,4	148,2	5
Ø 77,5	80,6	15	Ø 167,0	170,0	5
Ø 91,0	94,2	10	Ø 183,0	187,0	5



Clampklammer Doppel-Pin
type: double pin

diam.	D	press. [bar]*	diam.	D	press. [bar]*
Ø 25,0	28,0	20	Ø 119,0	122,0	14
Ø 34,0	37,0	20	Ø 130,0	133,0	13
Ø 50,5	53,0	20	Ø 144,4	147,0	12
Ø 64,0	67,0	20	Ø 183,0	187,0	10
Ø 77,5	80,0	20	Ø 233,5	238,0	10
Ø 91,0	94,0	19	Ø 268,0	272,0	5
Ø 106,0	109,0	17	Ø 319,0	322,0	2



Clampklammer mit Sechskantmutter
type: SSH (with hex. nut)

diam.	D	press. [bar]*
Ø 25,0	28,0	80
Ø 34,0	37,0	80
Ø 50,5	52,0	80
Ø 64,0	65,5	55
Ø 77,5	79,0	50
Ø 91,0	92,5	45
Ø 106,0	109,0	40
Ø 119,0	122,0	40

*) working press at max. 150 °C